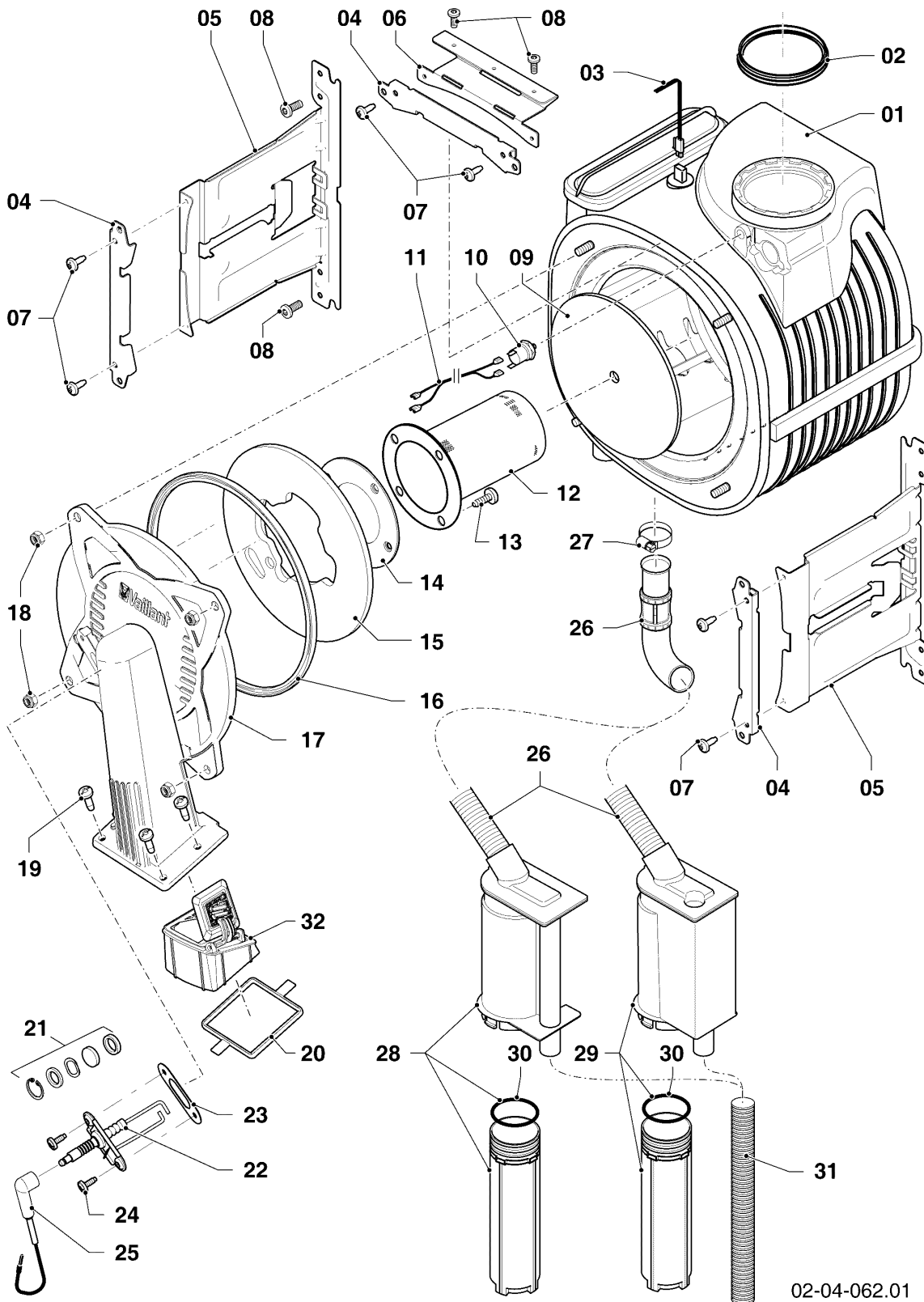


Wall-hung boilers (condensing system) VCW, VUW

VUW INT I 256/5-5 R2

04 - Burner, Heat exchanger



02-04-062.01

Wall-hung boilers (condensing system) VCW, VUW

VUW INT I 256/5-5 R2

04 - Burner, Heat exchanger

Поз.	Артикульный номер	Описание	Указание, замечание
01	0020135131	Heat exchanger	VUW INT I 256/5-5 R2, with parts 03, 09, 16, 18, 27
02	981227	Lip seal, DN 80 EPDM	
03	0020135108	Cable	VUW INT I 256/5-5 R2
04	0020135117	Support, heat exchanger	with part 07
05	0020135113	Support PHE	VUW INT I 256/5-5 R2, with parts 07, 08
06	-	-	not for these appliances
07	0020133828	Screw, (x10)	
08	0020136643	Screw, (x10)	
09	0020143489	Insulation, 16 mm with clips	
10	-	-	not for these appliances
11	-	-	not for these appliances
12	0020223030	Burner	VUW INT I 256/5-5 R2, with parts 13, 14
13	105900	Screw, (x10)	
14	981103	Gasket burner	
15	193595	Insulation	with parts 13, 14
16	0020025929	Gasket kit	with parts 18, 23
16	0020218247	Seal kit, Electrode-maintenance kit II	with parts 18, 22, 23, 24
17	0020135118	Burner flange	with parts 13, 14, 16, 18, 19, 20, 21, 23, 24
18	0020026537	Nut, M6, (x5)	
19	193597	Screw, (x10)	
20	193594	Gasket	
21	161245	Inspection glass	
22	0020133816	Electrode	with parts 23, 24
22	0020218247	Seal kit, Electrode-maintenance kit II	with parts 16, 18, 23, 24
23	981330	Gasket electrode	
24	0020198257	Screw, (x10)	
25	0020135119	Cable	
25	0020075412	Plug (ignition)	
26	-	-	not available as spare part, see pict. no.28

Wall-hung boilers (condensing system) VCW, VUW

VUW INT I 256/5-5 R2

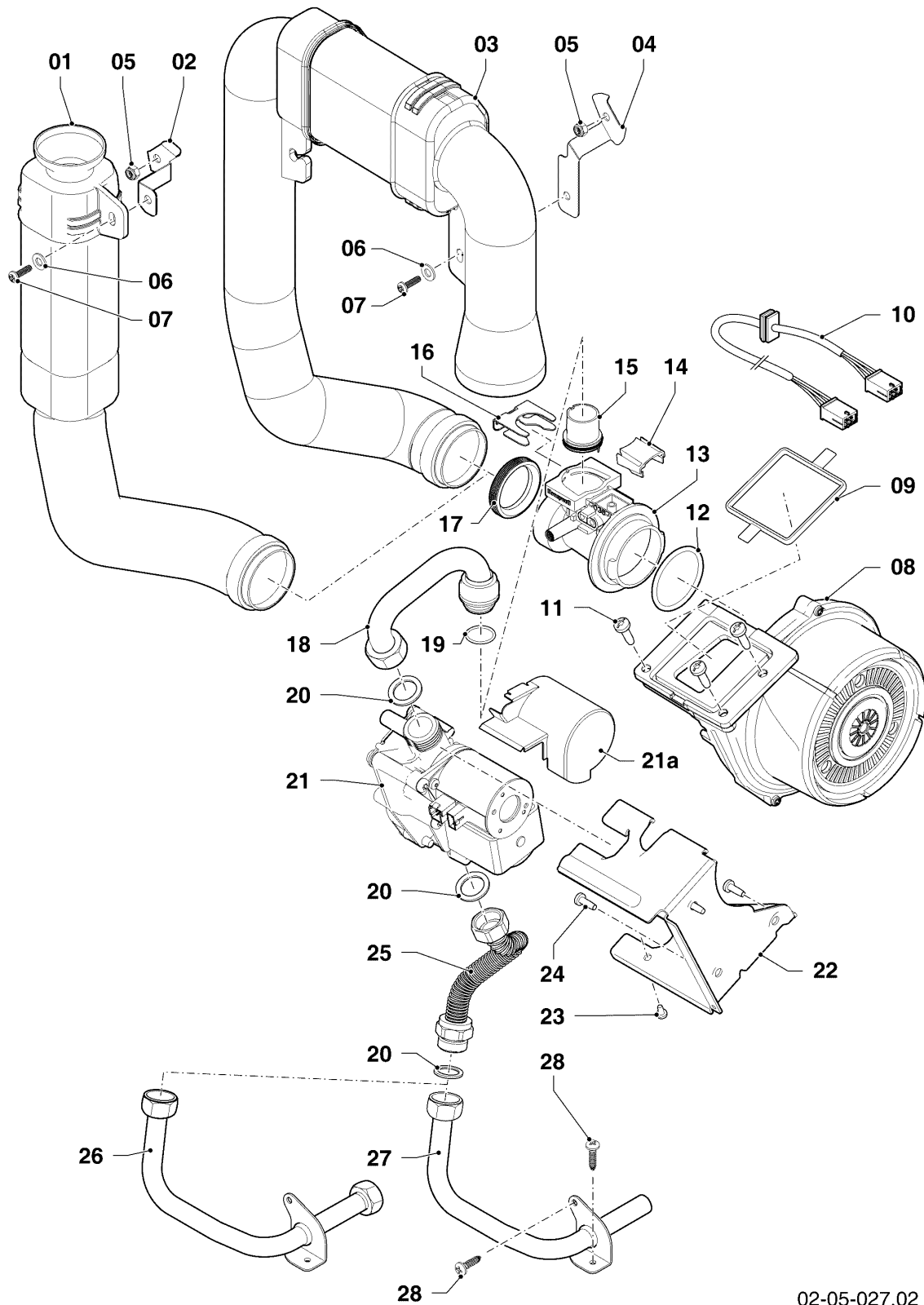
04 - Burner, Heat exchanger

Поз.	Артикульный номер	Описание	Указание, замечание
27	-	-	not for these appliances
28	0020184119	Siphon/trap	with parts 26
29	-	-	not for these appliances
30	0020077919	O-ring, (x5)	
31	0020144602	Hose, condensate	
32	0020175893	Non return valve	VUW INT I 256/5-5 R2, accessory, cannot be delivered as spare part

Wall-hung boilers (condensing system) VCW, VUW

VUW INT I 256/5-5 R2

05 - Gas section



02-05-027.02

Wall-hung boilers (condensing system) VCW, VUW

VUW INT I 256/5-5 R2

05 - Gas section

Поз.	Артикульный номер	Описание	Указание, замечание
00	0020175904	Conversion kit to H	VUW INT I 256/5-5 R2, to natural gas H, not shown
00	0020175906	Conversion kit to P	VUW INT I 256/5-5 R2, to liquid gas P, not shown
01	0020135147	Air inlet pipe	only for VUW INT I 206/5-5 R2
02	0020135150	Support air inlet duct	only for VUW INT I 206/5-5 R2, with parts 05, 06, 07
03	0020135148	Air inlet pipe	only for VUW INT I 206, 306/5-5 R2
04	0020135151	Support air inlet duct	only for VUW INT I 206, 306/5-5 R2 with parts 05, 06, 07
05	0020026537	Nut, M6, (x5)	
06	0020135152	Washer, (x10)	
07	0020133833	Screw, (x10)	
08	0020135138	Fan	with parts 09, 11, 12, 20, 23, 24
09	193594	Gasket	
10	-	-	not for these appliances
11	193597	Screw, (x10)	
12	0020135120	O-ring, venturi, (x5)	
13	0020135123	Venturi	VUW INT I 256/5-5 R2, Attention: You have to reuse the throttle jet (part 15)! with parts 12, 14, 19, 20
14	0020136647	Cap (over venturi filter)	
15	0020135126	Throttle jet, + coding plug (yellow)	for natural gas H, with parts 12, 19, 20
15	0020135128	Throttle jet, + coding plug (grey)	for liquid gas P, with parts 12, 19, 20
16	0020136636	Clip, (x10)	
17	0020135149	Gasket air inlet duct	
18	0020135136	Gas pipe	with parts 12, 19, 20
19	0020135135	O-ring, (x10)	
20	981142	Sealing ring, (x10)	
21	0020135144	Gas section	VUW INT I 256/5-5 R2, for natural gas, with parts 09, 20, 23
21	0020146733	Gas section with regulator	VUW INT I 256/5-5 R2, for liquid gas, with parts 09, 20, 23
21a	0010025794	Cap, motor protection (x5)	
22	0020135145	Support gas section	with parts 09, 11, 20, 23, 24

Wall-hung boilers (condensing system) VCW, VUW

VUW INT I 256/5-5 R2

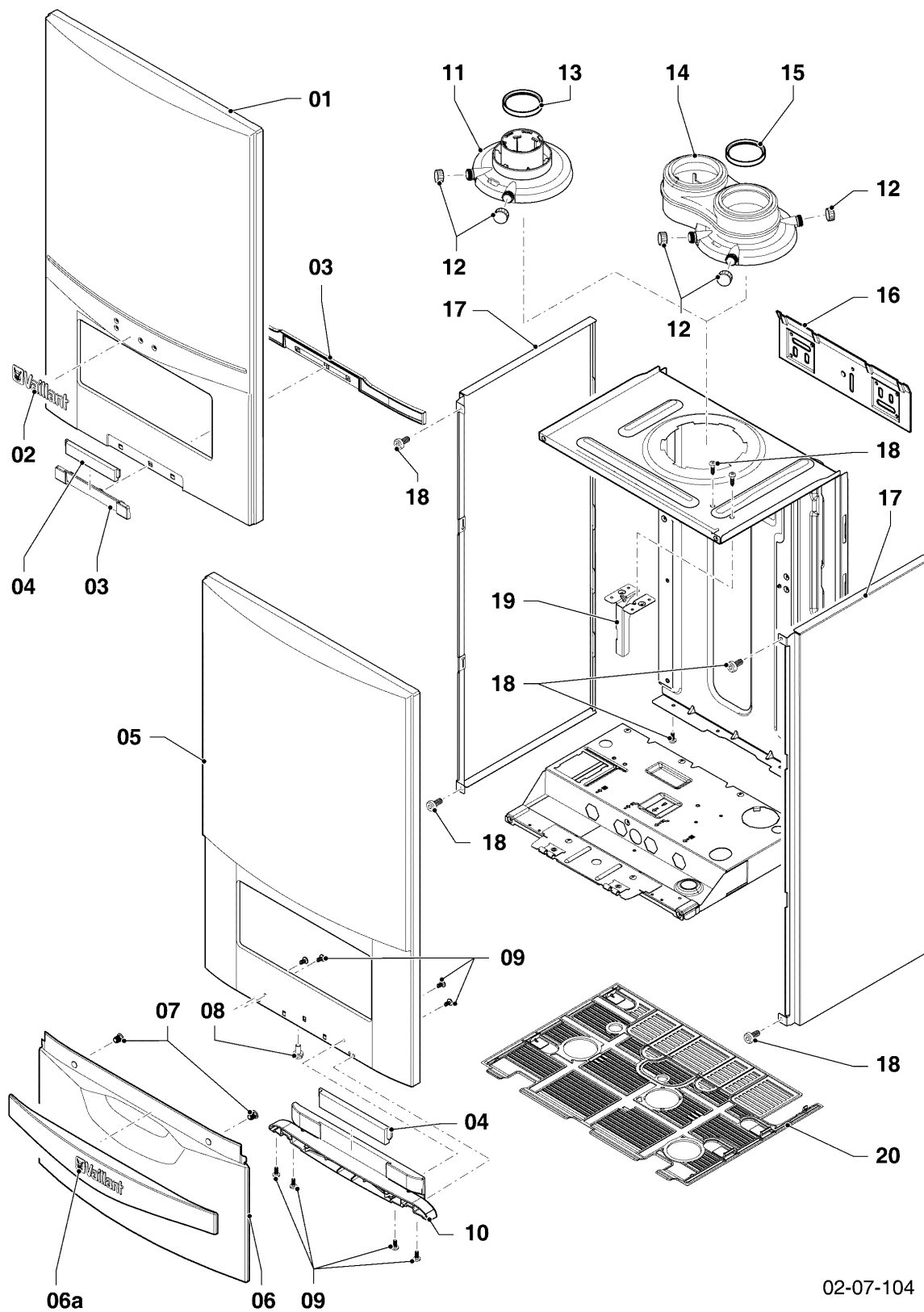
05 - Gas section

Поз.	Артикульный номер	Описание	Указание, замечание
23	108628	Screw, (x10)	
24	509685	Screw, (x10)	
25	0020141340	Gas pipe, top	with part 20
26	-	-	not for these appliances
27	0020244428	Gas pipe, bottom	with parts 20, 28
28	0020136643	Screw, (x10)	

Wall-hung boilers (condensing system) VCW, VUW

VUW INT I 256/5-5 R2

07 - Casing parts



02-07-104

Wall-hung boilers (condensing system) VCW, VUW

VUW INT I 256/5-5 R2

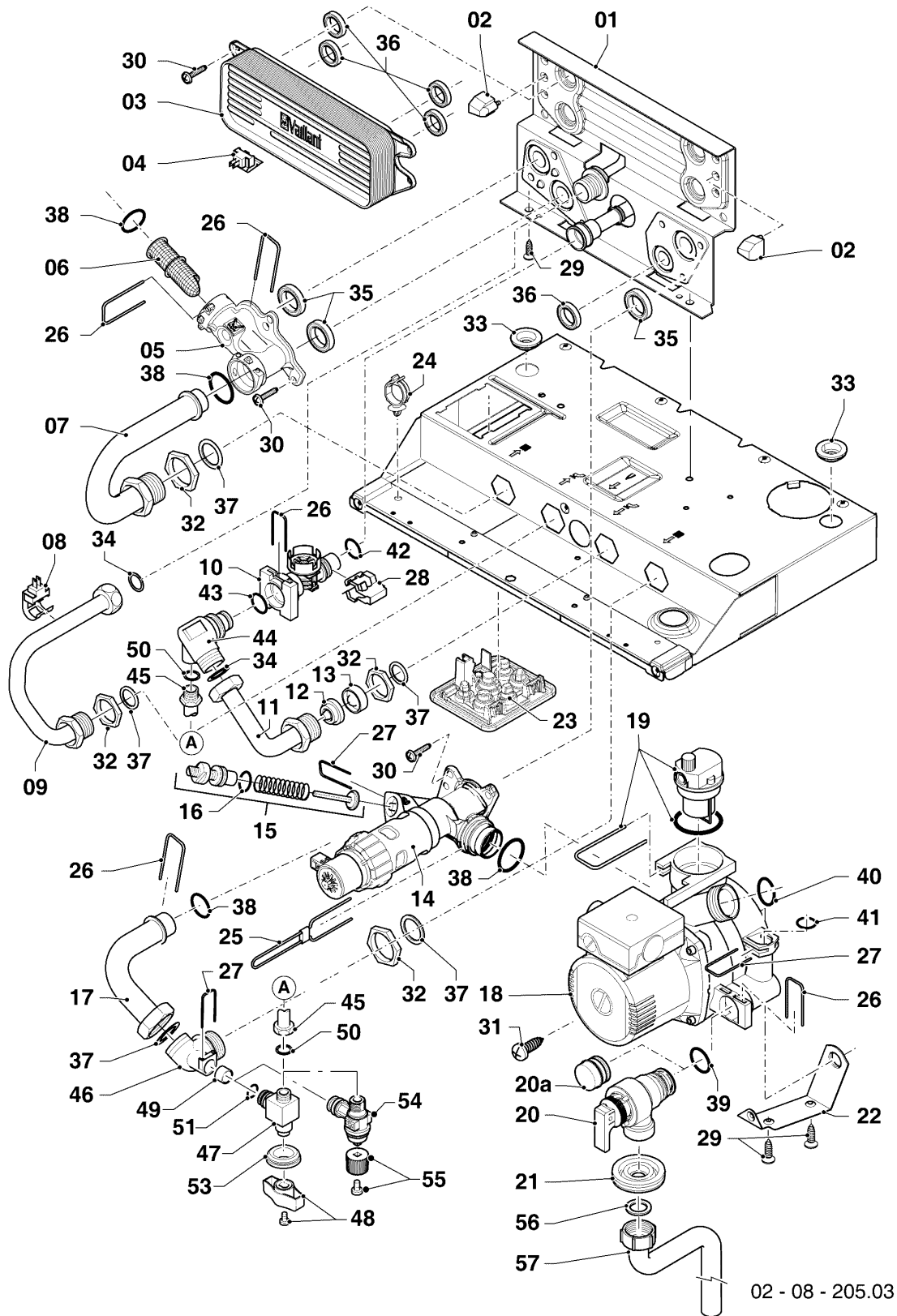
07 - Casing parts

Поз.	Артикульный номер	Описание	Указание, замечание
01	-	-	not for these appliances
02	-	-	not for these appliances
03	-	-	not for these appliances
04	0020141349	Plate, product name	
05	0020144590	Casing parts, front (plus)	VUW INT I 256/5-5 R2, with parts 06, 06a, 07, 08, 09, 10
06	0020144594	Cover	with parts 06a, 07, 09, 10
06a	0020144609	Handle	with part 07
07	0020068136	Magnet, (x2)	
08	105839	Screw, (x10)	
09	193538	Screw, (x10)	
10	0020144595	Hinge	with part 09
11	0020144596	Adapter, 60/100	with parts 12, 13
12	147392	Cap, (x5)	
13	981233	Lip seal, DN 60 EPDM	
14	-	-	not for these appliances
15	-	-	not for these appliances
16	180987	Support	
16	0020130588	Fastening kit (screws + plugs)	not shown
17	0020144593	Casing parts, side panel	with part 18
18	0020136643	Screw, (x10)	
19	0020144598	Support (expansion vessel)	with part 18
20	180988	Cover	
20	-	-	not for these appliances

Wall-hung boilers (condensing system) VCW, VUW

VUW INT I 256/5-5 R2

08a - Hydraulic parts (Hydroblock)



02 - 08 - 205.03

Wall-hung boilers (condensing system) VCW, VUW

VUW INT I 256/5-5 R2

08a - Hydraulic parts (Hydroblock)

Поз.	Артикульный номер	Описание	Указание, замечание
01	178965	Support	with parts 02, 28, 29, 30, 34, 35, 36, 38, 42, 43
02	193536	Guide, (x2)	
03	0020038572	Heat exchanger dhw (19 plates)	with parts 30, 36
04	103430	Sensor NTC, DHW heat exchanger	
05	0020140559	composite	with parts 06, 26, 27, 30, 35, 38, 41
06	179030	Filter	with parts 26, 38
07	179033	Pipe	with parts 32, 37, 38
08	103429	Sensor NTC, DHW outlet pipe	
09	179034	Pipe	with parts 34, 37
10	178988	Flow sensor	with parts 26, 28, 42, 43
11	179037	Pipe	with parts 13, 37, 43
12	-	-	not for these appliances
13	074514	Filter	
14	0020132683	Diverter valve, brass	with parts 15, 26, 30, 35, 36, 37, 38
15	178980	Bypass	with parts 16, 27
16	981165	O-ring, (x10)	
17	179036	Pipe	with parts 37, 38
18	0020130763	Pump	with parts 19, 20a, 22, 26, 27, 29, 31, 35-41
19	104521	Automatic de-aerator	
20	178985	Pressure relief valve, 3 bar	with parts 26, 39 (Brass)
20	0020275015	Pressure relief valve, 3 bar	with parts 26, 39 (Composite)
20a	-	-	not for these appliances
21	0020039723	Gasket	
22	178984	Support	with parts 29, 31
23	0020144603	Cable bushing	
24	0020144599	Clip, (x5)	
25	178981	Clip	
26	178992	Clip, (x10)	
27	0020107694	Clip, (x5)	
28	178966	Clip	

Wall-hung boilers (condensing system) VCW, VUW

VUW INT I 256/5-5 R2

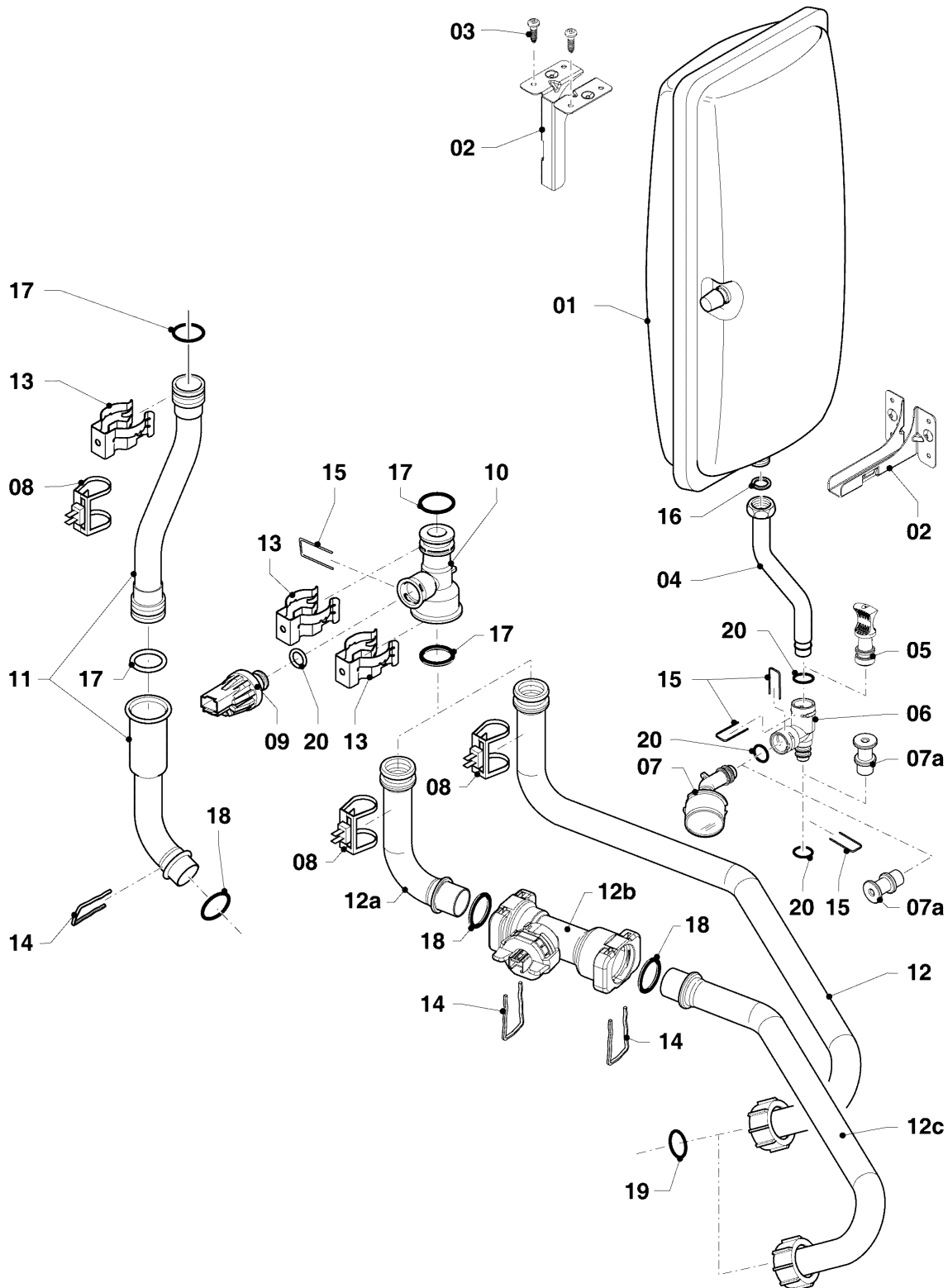
08a - Hydraulic parts (Hydroblock)

Поз.	Артикульный номер	Описание	Указание, замечание
29	0020107695	Screw, (x10)	
30	0020133828	Screw, (x10)	
31	0020133833	Screw, (x10)	
32	0020144600	Nut, 3/4, (x4)	
33	509120	Gasket, (x10)	
34	981142	Sealing ring, (x10)	
35	193535	Gasket, type C, (x10)	
36	178969	Gasket, type C, (x10)	
37	981140	Sealing ring, 3/4, (x10)	
38	193537	O-ring, (x10)	
39	178986	O-ring, (x10)	
40	193539	O-ring, (x10)	
41	178993	O-ring, (x10)	
42	178991	O-ring, (x10)	
43	981163	O-ring, (x10)	
44	0020018067	Connection piece	with parts 26, 34, 43, 50
45	0020018066	Tube	with part 50
46	0020018068	Connection piece	with parts 32, 37, 51, 52
47	-	-	replaced by pict. no. 54
48	0020010292	Handle, (x2)	
49	0020018064	Non-return valve	
50	981146	Sealing ring, (x10)	
51	981154	O-ring, (x10)	
53	0020229663	Gasket	
54	0020265137	Valve, filling	with parts 50, 51, 55
55	0020265138	Handle	
56	0020010298	Sealing ring, (x10)	
57	0020010297	Tube, pressure relief valve (copper)	with part 56

Wall-hung boilers (condensing system) VCW, VUW

VUW INT I 256/5-5 R2

08b - Hydraulic parts



02-08-201.03

Wall-hung boilers (condensing system) VCW, VUW

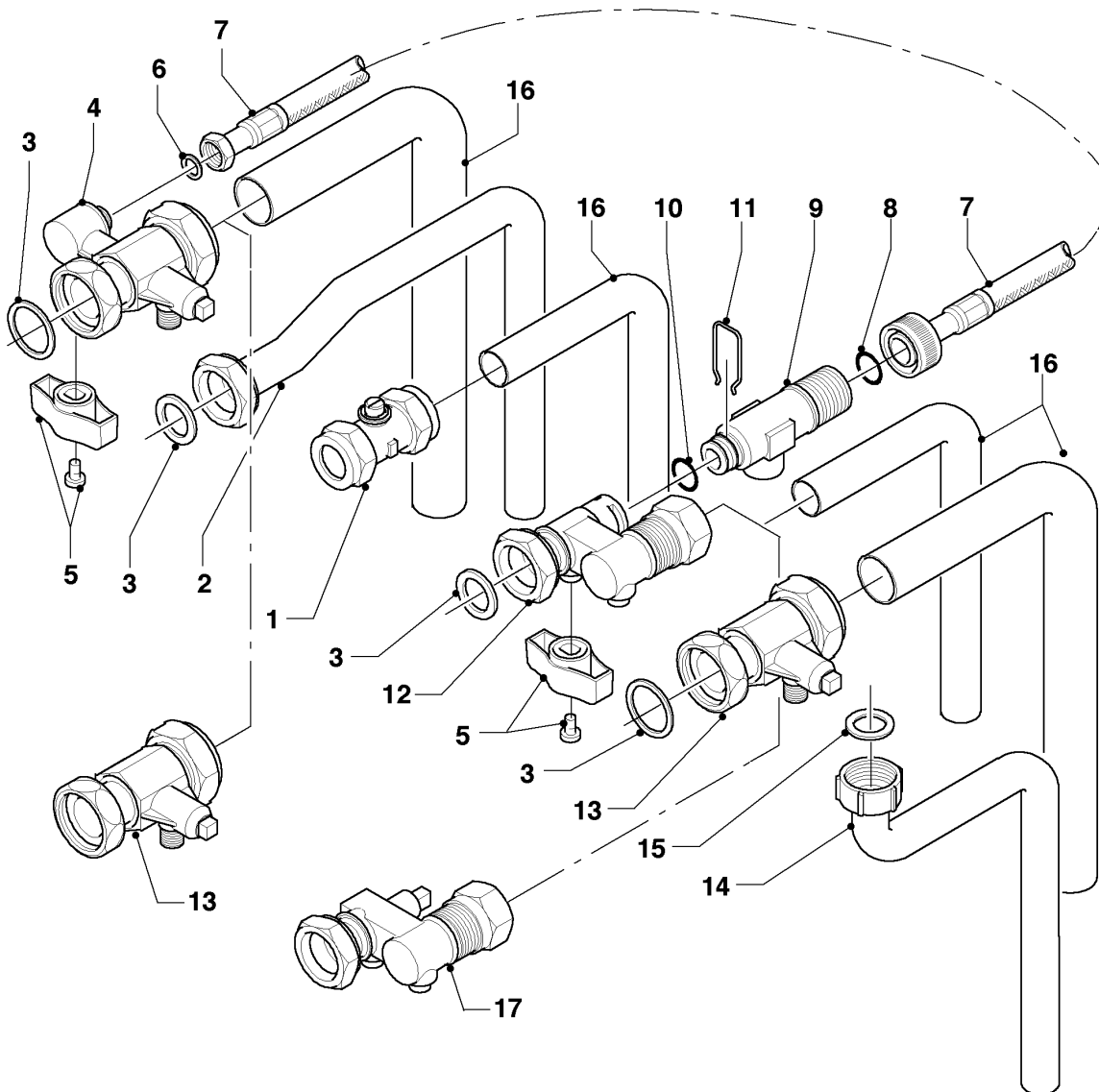
VUW INT I 256/5-5 R2

08b - Hydraulic parts

Поз.	Артикульный номер	Описание	Указание, замечание
01	181051	Expansion vessel 10 ltr.	with part 16
02	0020144598	Support (expansion vessel)	with part 03
03	0020136643	Screw, (x10)	
04	0020144605	Tube, expansion vessel	with parts 15, 16, 20
05	-	-	not for these appliances
06	0020144608	Adapter	with parts 15, 20
07	0020144606	Pressure gauge	with parts 15, 20
07a	-	-	not for these appliances
08	193592	Sensor NTC (CH flow/CH return)	
09	0020059717	Sensor (water pressure)	with parts 15, 20
10	0020087657	Adapter	with parts 15, 17, 20
11	0020068956	Connection tube, (kit)	VUW INT I 256/5-5 R2, with parts 17, 18
12	0020068958	Connection tube	with parts 10, 13, 15, 17, 19, 20
12a	-	-	not for these appliances
12b	-	-	not for these appliances
12c	-	-	not for these appliances
13	103417	Clip, (x10)	
14	178992	Clip, (x10)	
15	0020107694	Clip, (x5)	
16	981149	Sealing ring, (x10)	
17	103415	O-ring, (x10)	
18	193537	O-ring, (x10)	
19	193539	O-ring, (x10)	
20	178993	O-ring, (x10)	

Wall-hung boilers (condensing system) VCW, VUW

VUW INT I 256/5-5 R2
08c - Connection parts (Acc.)



02 - 08 - 125.01

Wall-hung boilers (condensing system) VCW, VUW

VUW INT I 256/5-5 R2

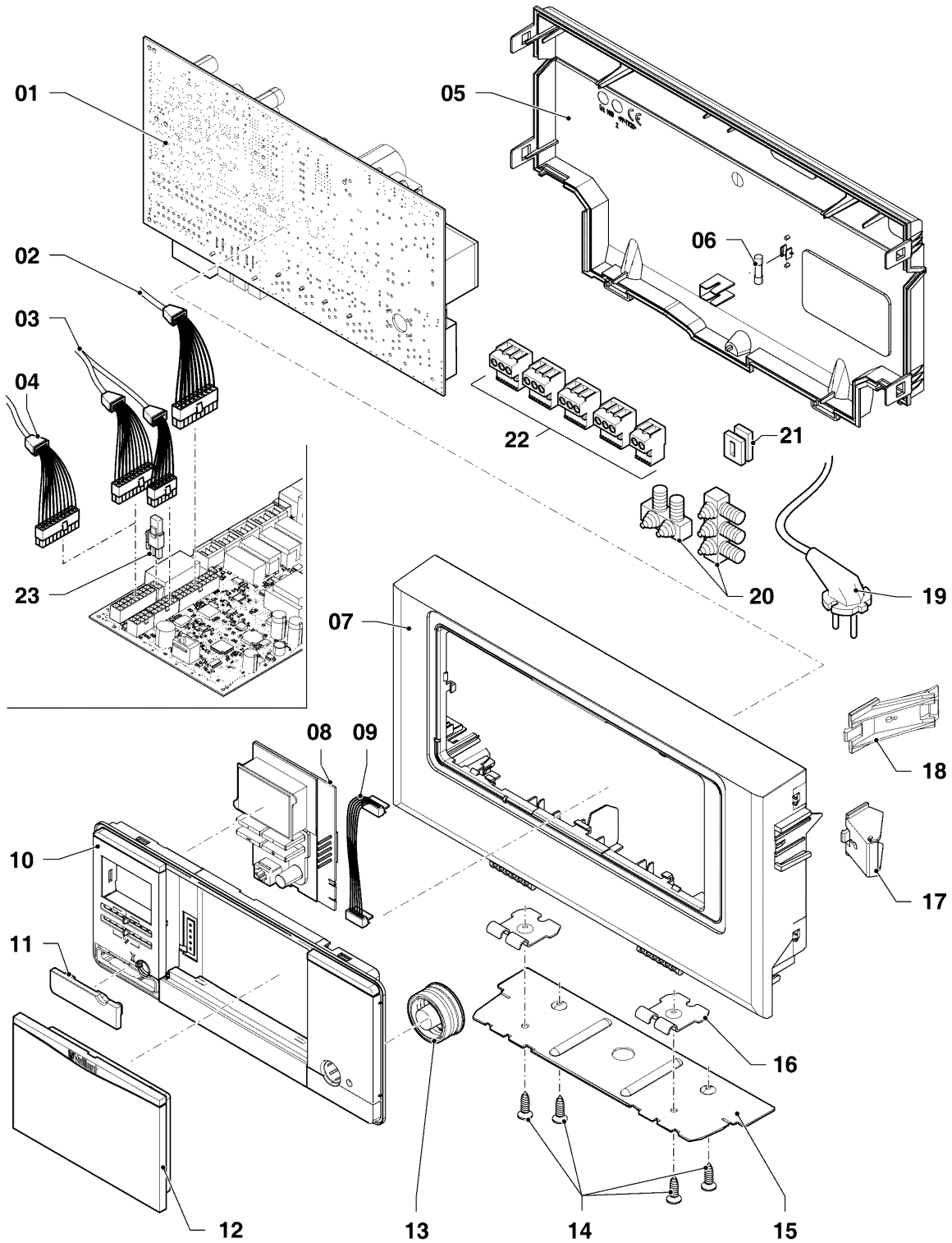
08c - Connection parts (Acc.)

Поз.	Артикульный номер	Описание	Указание, замечание
00	022751	Connection tube, G3/4 x 22, (x2)	not shown, with part 03
01	083437	Compression fitting R3/4 x 15	not shown, for gas connection
02	081445	Connection tube	with part 03
03	981140	Sealing ring, 3/4, (x10)	
04	-	-	not for these appliances
05	-	-	not for these appliances
06	-	-	not for these appliances
07	-	-	not for these appliances
08	-	-	not for these appliances
09	-	-	not for these appliances
10	-	-	not for these appliances
11	-	-	not for these appliances
12	-	-	not for these appliances
13	0020017772	Service cock left + right	with part 03
14	0020010297	Tube, pressure relief valve (copper)	with part 15
15	0020010298	Sealing ring, (x10)	
16	-	-	cannot be delivered as spare part
17	014714	Valve	

Wall-hung boilers (condensing system) VCW, VUW

VUW INT I 256/5-5 R2

12 - Control box



02-12-061.01

Wall-hung boilers (condensing system) VCW, VUW

VUW INT I 256/5-5 R2

12 - Control box

Поз.	Артикульный номер	Описание	Указание, замечание
01	0010028086	PCB	with part 22
02	0020135162	Wiring harness	
03	0020135154	Wiring harness	VUW INT I 256/5-5 R2
04	-	-	not for these appliances
05	0020136635	Casing, back	with part 06
06	0020067507	Fuse, 2,0 A T2H, (x10)	
07	0020136631	Casing, front (plus)	with parts 10, 11, 12, 13
08	0020136628	Display	
09	0020136630	Cable, display	
10	-	-	not available as spare part, see pict. no.07
11	0020136640	Cover diagnostic connector	
12	0020136633	Cover control (plus)	
13	0020136642	Button power switch (plus)	
14	0020136643	Screw, (x10)	
15	-	-	VUW INT I 256/5-5 R2, not for these appliances
16	0020144611	Support, control box, (x2)	with part 14
17	193583	Spacer, (x2)	VUW INT I 256/5-5 R2
18	-	-	not for these appliances
19	-	-	not for these appliances
20	078533	Cable fixation	
21	139438	Black plastic filler control box	
22	0020136646	Connector ProE (Set)	
22	733746	Electric plug, Rast 5 3-pole turquoise	turquoise (blue), from installation kit 0020136392
23	0020135126	Throttle jet, + coding plug (yellow)	for natural gas H
23	0020135128	Throttle jet, + coding plug (grey)	for liquid gas P