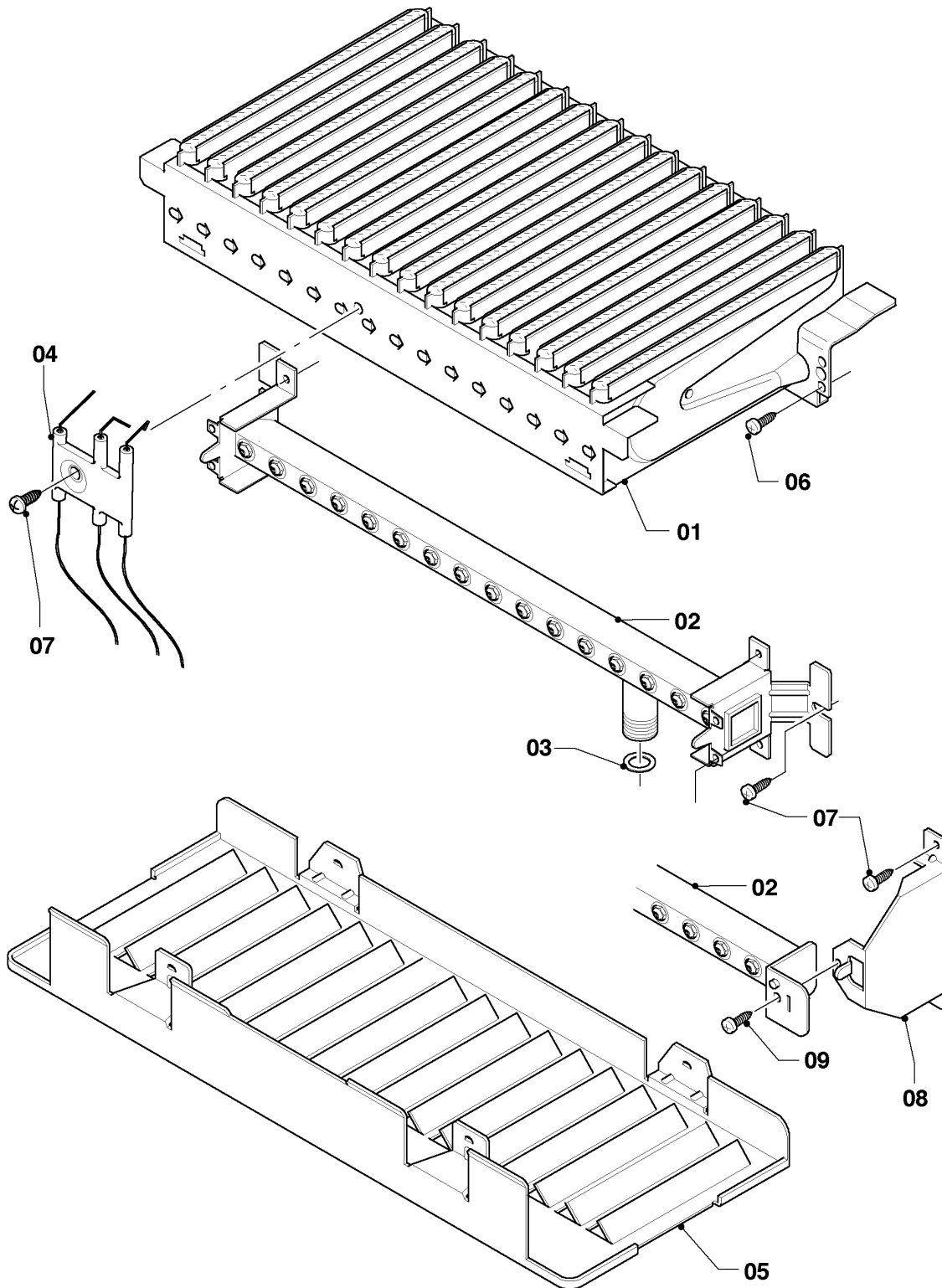


Wall-hung boilers (fan-assisted) VU, VUW

VUW 242/3-3

04 - Burner



02 - 04 - 045.01

Wall-hung boilers (fan-assisted) VU,VUW

VUW 242/3-3

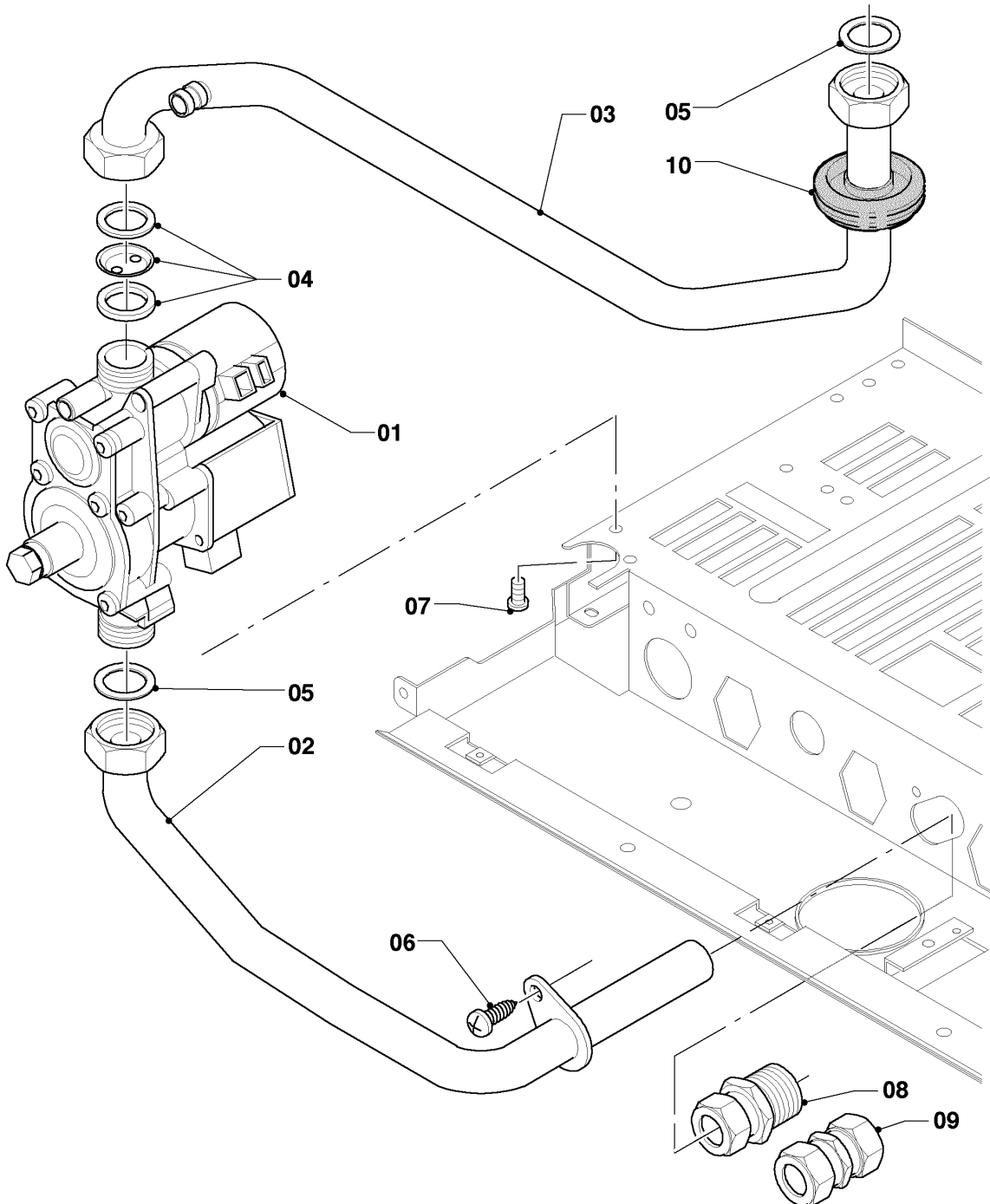
04 - Burner

| Поз. | Артикульный номер | Описание | Указание, замечание |
|------|-------------------|---------------------------|---|
| 01 | 0020039045 | Burner chamber group 24kW | VUW 242/3-3, with part 06 |
| 02 | 0020039051 | Burner support 24kW H | VUW 242/3-3, natural gas H, with parts 03, 07 |
| 02 | 0020039052 | Burner support 24kW B | VUW 242/3-3, LP-gas B, with parts 03, 07 |
| 03 | 981142 | Sealing ring, (x10) | |
| 04 | 0020039057 | Electrode | VUW 202...282, with part 07 |
| 04 | 090751 | Electrode | VUW 322...362, with part 07 |
| 05 | - | - | not for these appliances |
| 06 | 0010027607 | Screw, (x10) | |
| 07 | 0020107695 | Screw, (x10) | |
| 08 | 0020039055 | Support (left + right) | only for VUW 322, with part 07 |
| 08 | 0020039056 | Support, (x2) | only for VUW 362, with part 07 |
| 09 | 0020198257 | Screw, (x10) | |

Wall-hung boilers (fan-assisted) VU,VUW

VUW 242/3-3

05 - Gas section



02 - 05 - 023.02

Wall-hung boilers (fan-assisted) VU,VUW

VUW 242/3-3

05 - Gas section

| Поз. | Артикульный номер | Описание | Указание, замечание |
|------|-------------------|----------------------------------|--|
| 00 | 0020048941 | Conversion set to PB (37mbar) | to P/B (37mbar), 12-28kW, (PL), Attention: Replace gas pipe (pos. 03) if it has no test nipple. The spare part always contains a test nipple. |
| 00 | 0020048945 | Conversion set to GZ41/Lw | to GZ41/Lw, 20-28kW, (PL) |
| 00 | 0020048935 | Conversion set to H (13+20mbar) | to H (13+20mbar), 24-36kW, (BG,CZ,GR,INT,PL,RO,SK,TR) |
| 00 | 0020053220 | Conversion set to H (20mbar) | to H (20mbar), 24-36kW, (EXP) |
| 00 | 0020053226 | Conversion set to PB (28-37mbar) | to P/B (30mbar), 32-36kW, (EXP,GR,INT,PT,RO,SOE,TR), Attention for GR,INT,RO (only for 32 kW): Replace gas pipe (pos. 03) if it has no test nipple. The spare part always contains a test nipple. |
| 00 | 0020053224 | Conversion set to PB (29-37mbar) | to P/B (30mbar), 11-28kW, (BG,CZ,EXP,GR,HU,INT,RO,SK,SOE,TR), Attention for BG,CZ,INT,RO,SK,TR (only for 12 and 20 kW): Replace gas pipe (pos. 03) if it has no test nipple. The spare part always contains a test nipple. |
| 00 | 0020048931 | Conversion set to PB (50mbar) | to P/B (50mbar), 20-28kW, (HU) |
| 00 | 0020048943 | Conversion set to GZ35/Ls | to GZ35/Ls, 20-28kW, (PL) |
| 00 | 0020048925 | Conversion set to H | to H, 20-36kW, (SOE) |
| 00 | 0020048933 | Conversion set to H (13+20mbar) | to H (13+20mbar), 20kW, (BG,CZ,INT,PL,RO,SK,TR) |
| 00 | 0020048939 | Conversion set to 2H (25mbar) | to 2H (25mbar), 20-28kW, (HU) |
| 00 | 0020048937 | Conversion set to 2S (25mbar) | to 2S (25mbar), 20-28kW, (HU) |
| 01 | 0020019991 | Gas section | natural gas H, all powers, without pressure regulator, (EXP,HU,SOE), with parts 05, 07 |
| 01 | 0020052048 | Gas section (with regulator) | natural gas H, 20kW, with pressure regulator, (BG,CZ,GR,INT,PL,RO,SK,TR), with parts 05, 07 |
| 01 | 0020019992 | Gas section | LP-gas B, all powers, without pressure regulator, (for all countries), with parts 05, 07 |

Wall-hung boilers (fan-assisted) VU,VUW

VUW 242/3-3

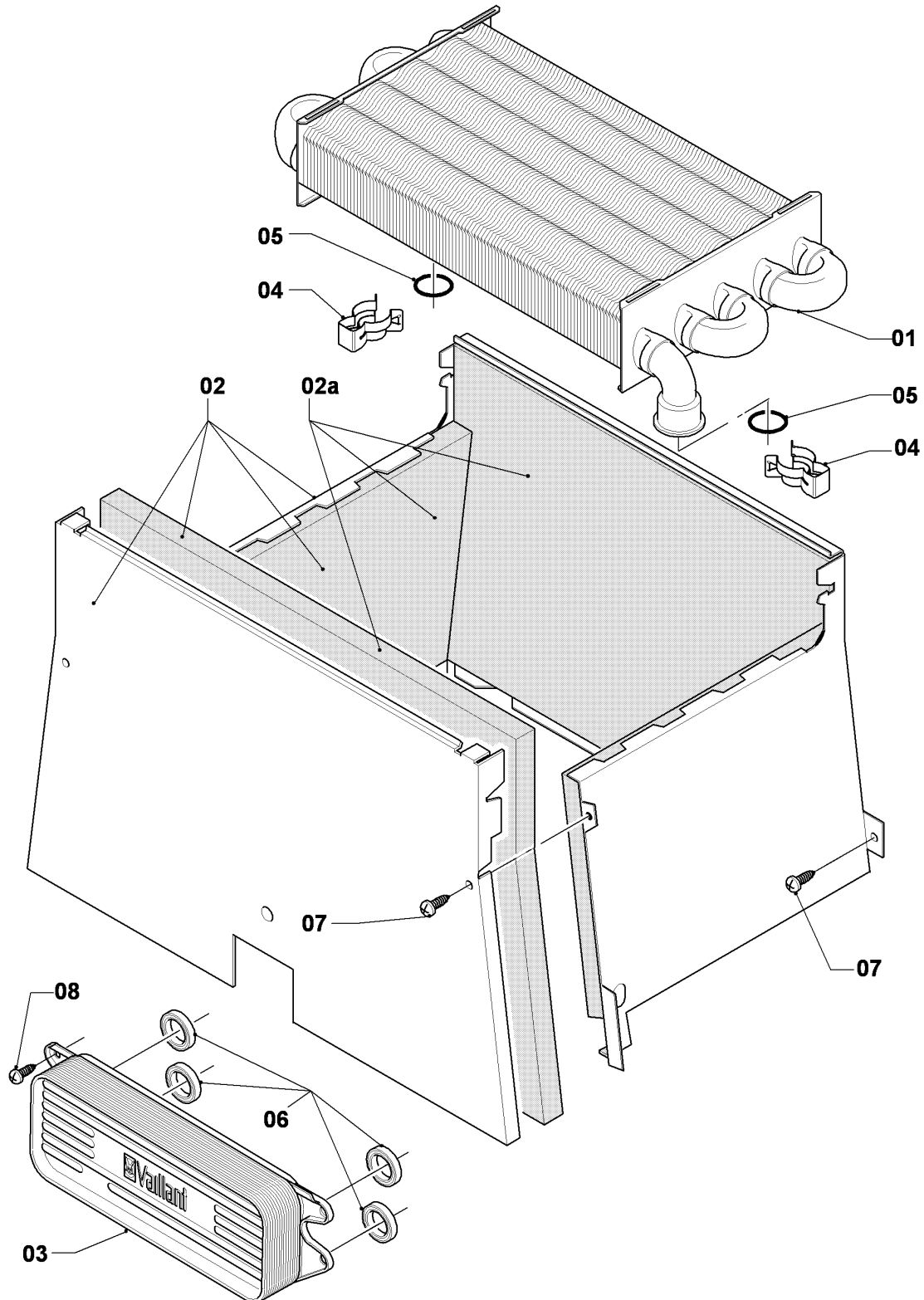
05 - Gas section

| Поз. | Артикульный номер | Описание | Указание, замечание |
|------|-------------------|-------------------------------|---|
| 01 | 0020053968 | Gas section (with regulator) | natural gas H, 24-36kW, with pressure regulator, (BG,CZ,GR,INT,PL,RO,SK,TR), with parts 05,07 |
| 02 | 0020039061 | Tube gas | with parts 05, 06 |
| 03 | 0020039063 | Tube gas turbo | VUW 242/3-3, with part 05 |
| 04 | 049747 | Throttle jet 2 x 2.60 | |
| 04 | 049749 | Throttle jet 2 x 3.25 | |
| 04 | 049750 | Throttle jet 2 x 3.50 | |
| 04 | 049751 | Throttle jet 2 x 3.75 | |
| 04 | 049752 | Throttle jet 2 x 4.00 | |
| 04 | 049753 | Throttle jet 2 x 4.20 | |
| 04 | 0020012784 | Throttle jet 2 x 4.50 | |
| 04 | 0020049665 | Throttle jet 2 x 5.50 | |
| 05 | 981142 | Sealing ring, (x10) | |
| 06 | 0020107695 | Screw, (x10) | |
| 07 | 0010027607 | Screw, (x10) | |
| 08 | 083437 | Compression fitting R3/4 x 15 | |
| 09 | 083435 | Compression fitting, 15 x 15 | |
| 10 | 0020085467 | Gasket | |

Wall-hung boilers (fan-assisted) VU,VUW

VUW 242/3-3

06 - Heat exchanger



02 - 06 - 051.01

Wall-hung boilers (fan-assisted) VU,VUW

VUW 242/3-3

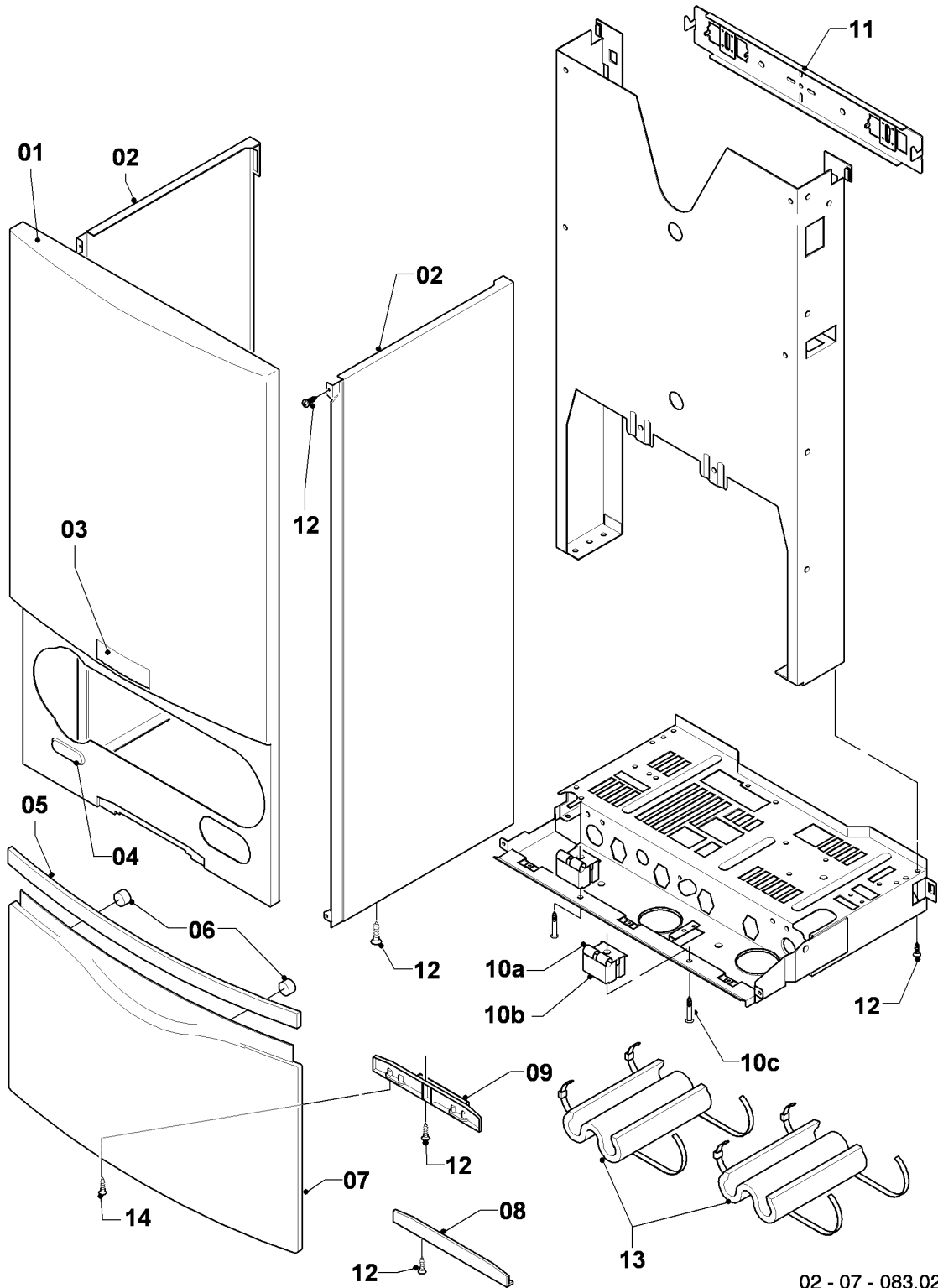
06 - Heat exchanger

| Поз. | Артикульный номер | Описание | Указание, замечание |
|------|-------------------|------------------------------------|--------------------------------|
| 01 | 0020019994 | Heat exchanger, 92 fins | VUW 242/3-3, with parts 04, 05 |
| 02 | 0020039070 | Combustion chamber | VUW 242/3-3, with part 07 |
| 02a | 0020082190 | Insulation (set) | VUW 242/3-3 |
| 03 | 0020020018 | Heat exchanger DHW, 11 (13) plates | VUW 242/3-3, with parts 06, 08 |
| 04 | 219621 | Spring clamp, (x10) | |
| 05 | 981151 | O-ring, (x10) | |
| 06 | 178969 | Gasket, type C, (x10) | |
| 07 | 0020107695 | Screw, (x10) | |
| 08 | 178968 | Screw, (x10) | |

Wall-hung boilers (fan-assisted) VU, VUW

VUW 242/3-3

07a - Casing parts



02 - 07 - 083.02

Wall-hung boilers (fan-assisted) VU,VUW

VUW 242/3-3

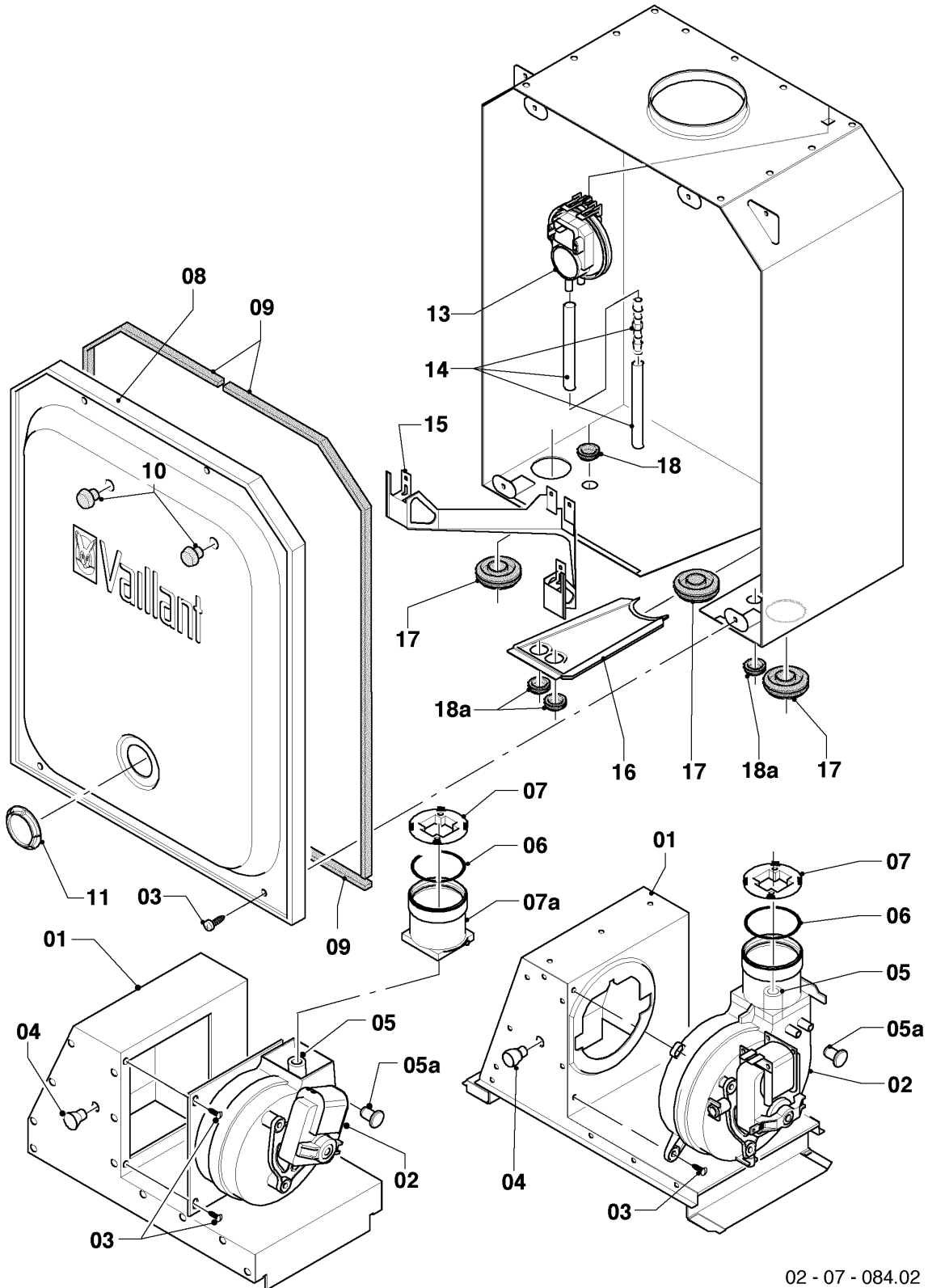
07a - Casing parts

| Поз. | Артикульный номер | Описание | Указание, замечание |
|------|-------------------|--------------------------------|--|
| 01 | 0020039073 | Front panel | with parts 03, 04, 12 |
| 02 | 0020039074 | Side panel | with part 12 |
| 03 | 118096 | Badge, kit | |
| 04 | 0020039075 | Plate (set) | |
| 05 | 180943 | Handle (grey) | with part 06 |
| 05 | 180942 | Handle (white) | with part 06 |
| 06 | - | - | 180941 no longer available, replacement for pict. no. 05 |
| 07 | 0020039076 | Flap, cover | with parts 05, 06, 09, 12 |
| 08 | 0020039078 | Covering plate | with part 12 |
| 09 | 0020039077 | Hinge | with part 12, 14 |
| 10a | 0020039079 | Support | with part 10c |
| 10b | 0020039080 | Spacer | |
| 10c | 235708 | Screw | |
| 11 | 0020039072 | Support | |
| 11 | 0020130588 | Fastening kit (screws + plugs) | not shown |
| 12 | 0020107695 | Screw, (x10) | |
| 13 | 076629 | Insulation, (x2) | only for balcony (...B) |
| 14 | 0020107695 | Screw, (x10) | for hinges until 03/09 (diameter of drill hole: 4mm) |
| 14 | 193538 | Screw, (x10) | for hinges from 03/09 (diameter of drill hole: 3mm) |

Wall-hung boilers (fan-assisted) VU, VUW

VUW 242/3-3

07b - Air pressure chamber



02 - 07 - 084.02

Wall-hung boilers (fan-assisted) VU,VUW

VUW 242/3-3

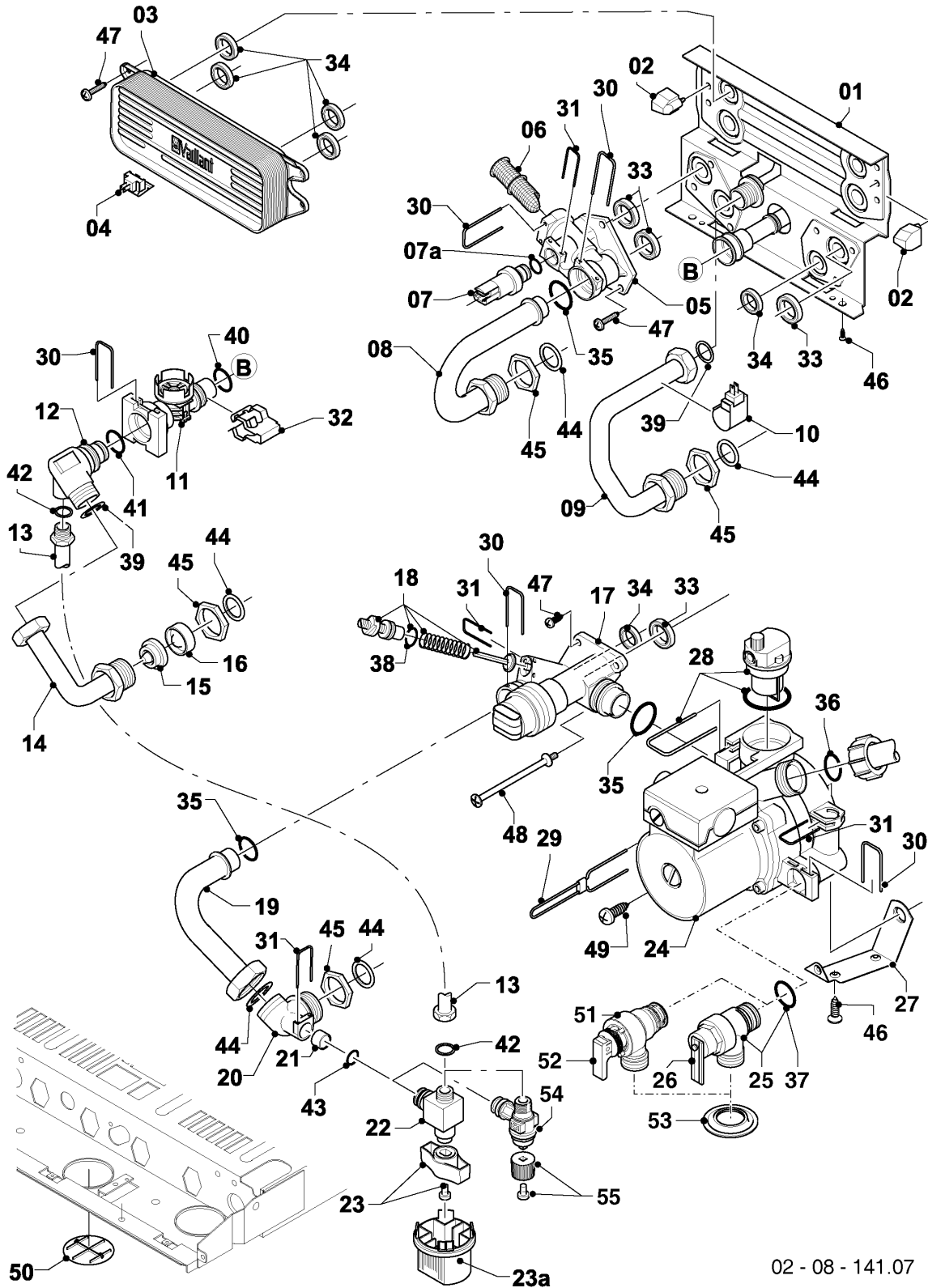
07b - Air pressure chamber

| Поз. | Артикульный номер | Описание | Указание, замечание |
|------|-------------------|----------------------------------|---|
| 01 | 0020039087 | Cap flue gas 24kW | VUW 242/3-3, with parts 03, 04 |
| 02 | 0020020008 | Fan | VUW 242/3-3, with parts 03, 05, 06, 07 |
| 03 | 0020107695 | Screw, (x10) | |
| 04 | 0020039091 | Outlet | not for VUW 362 |
| 04 | 210981 | Rubber funnel | only for VUW 362 |
| 05 | 0020130543 | Pitot tubes (venturie) with caps | |
| 05a | 0020020013 | Plug, (x5) | |
| 06 | 0020209348 | Lip seal, silicone (DN 60) | |
| 07 | 0020039094 | Insert nature | VUW 242/3-3, for air/flue duct assembly <2,0m |
| 07 | 0020039095 | Insert nature | VUW 242/3-3, for air/flue duct assembly >2,0m |
| 07a | 083384 | Sleeve | |
| 08 | 0020068134 | Cover | VUW 242/3-3, with parts 03, 09, 10, 11 |
| 09 | 0020041904 | Gasket kit | |
| 10 | 139472 | Plug (set) | |
| 11 | 0020020011 | Inspection glass | |
| 13 | 0020041905 | Pressure safeguard/switch | with parts 05a, 14 |
| 14 | 0020041906 | Hose set | with part 05a |
| 15 | 0020051041 | Guide plate | VUW 242/3-3 |
| 16 | 0020041907 | Insert | |
| 17 | 0020085467 | Gasket | |
| 18 | 0010027618 | Gasket, (x5) | |
| 18a | 509121 | Gasket, (x10) | |

Wall-hung boilers (fan-assisted) VU, VUW

VUW 242/3-3

08a - Hydraulic parts



02 - 08 - 141.07

Wall-hung boilers (fan-assisted) VU,VUW

VUW 242/3-3

08a - Hydraulic parts

| Поз. | Артикульный номер | Описание | Указание, замечание |
|------|-------------------|-------------------------------------|--|
| 00 | 0010032799 | Plug | not shown for pos. 24, 0010030632 |
| 01 | 178965 | Support | with parts 02,32,33,34,35,39,40,46,47,48 |
| 02 | 193536 | Guide, (x2) | |
| 03 | 0020020018 | Heat exchanger DHW, 11 (13) plates | VUW 242/3-3, with parts 34, 47 |
| 04 | 103430 | Sensor NTC, DHW heat exchanger | |
| 05 | 179031 | Connection, brass | with parts 07a, 30, 31, 33, 35, 47 |
| 06 | 179030 | Filter | with parts 30, 35 |
| 07 | 0020059717 | Sensor (water pressure) | with parts 07a, 31 |
| 07a | 178993 | O-ring, (x10) | |
| 08 | 179033 | Pipe | with parts 35, 44, 45 |
| 09 | 179034 | Pipe | with parts 39, 44, 45 |
| 10 | 103429 | Sensor NTC, DHW outlet pipe | |
| 11 | 178988 | Flow sensor | with parts 30, 32, 40, 41 |
| 12 | 0020018067 | Connection piece | with parts 30, 39, 41, 42 |
| 13 | 0020018066 | Tube | with part 42 |
| 14 | 179037 | Pipe | with parts 15, 16, 39, 44, 45 |
| 15 | - | - | not for these appliances |
| 16 | 074514 | Filter | |
| 17 | 0020270733 | Cable, adapter for SAIA 3wv motor | not shown |
| 17 | 0020132682 | Diverter valve, brass, with adaptor | with parts 18,30,31,33,34,35,47,48 |
| 18 | 178980 | Bypass | with part 31 |
| 19 | 179036 | Pipe | with parts 35, 44 |
| 20 | 0020018068 | Connection piece | with parts 43, 44, 45 |
| 21 | 0020018064 | Non-return valve | |
| 22 | - | - | replaced by pict. no. 54 |
| 23 | 0020010292 | Handle, (x2) | |
| 23a | 0020051043 | Handle | |
| 24 | 0020020023 | Pump | VUW 242/3-3, with parts 27,28,49,37,30,31,33,34,35,36,44 Future phase-out due to EU regulation |

Wall-hung boilers (fan-assisted) VU,VUW

VUW 242/3-3

08a - Hydraulic parts

| Поз. | Артикульный номер | Описание | Указание, замечание |
|------|-------------------|------------------------------|---|
| 24 | 0010030669 | Pump, high-efficiency | VUW 242/3-3, with parts 27,28,49,37,30,31,33,34,35,36,44 Cable to be ordered in case of conversion |
| 24 | 0010032759 | Cable | VUW 242/3-3, Required in case of conversion |
| 25 | 178985 | Pressure relief valve, 3 bar | with parts 26, 30, 37 (Brass) |
| 26 | 178974 | Lever | |
| 27 | 178984 | Support | with part 46 |
| 28 | 104521 | Automatic de-aerator | |
| 29 | 178981 | Clip | |
| 30 | 178992 | Clip, (x10) | |
| 31 | 0020107694 | Clip, (x5) | |
| 32 | 178966 | Clip | |
| 33 | 193535 | Gasket, type C, (x10) | |
| 34 | 178969 | Gasket, type C, (x10) | |
| 35 | 193537 | O-ring, (x10) | |
| 36 | 193539 | O-ring, (x10) | |
| 37 | 178986 | O-ring, (x10) | |
| 38 | 981165 | O-ring, (x10) | |
| 39 | 981142 | Sealing ring, (x10) | |
| 40 | 178991 | O-ring, (x10) | |
| 41 | 981163 | O-ring, (x10) | |
| 42 | 981146 | Sealing ring, (x10) | |
| 43 | 981154 | O-ring, (x10) | |
| 44 | 981140 | Sealing ring, 3/4, (x10) | |
| 45 | 193598 | Nut, (PK4) | |
| 46 | 0020107695 | Screw, (x10) | |
| 47 | 178968 | Screw, (x10) | |
| 48 | 0020041941 | Screw (long) | |
| 49 | 0020133833 | Screw, (x10) | |
| 50 | 0020039065 | Plug | |
| 51 | 0020275015 | Pressure relief valve, 3 bar | with parts 30, 37, 52 (Composite) |
| 52 | - | - | not available as spare part, see pict. no. 51 |

Wall-hung boilers (fan-assisted) VU,VUW

VUW 242/3-3

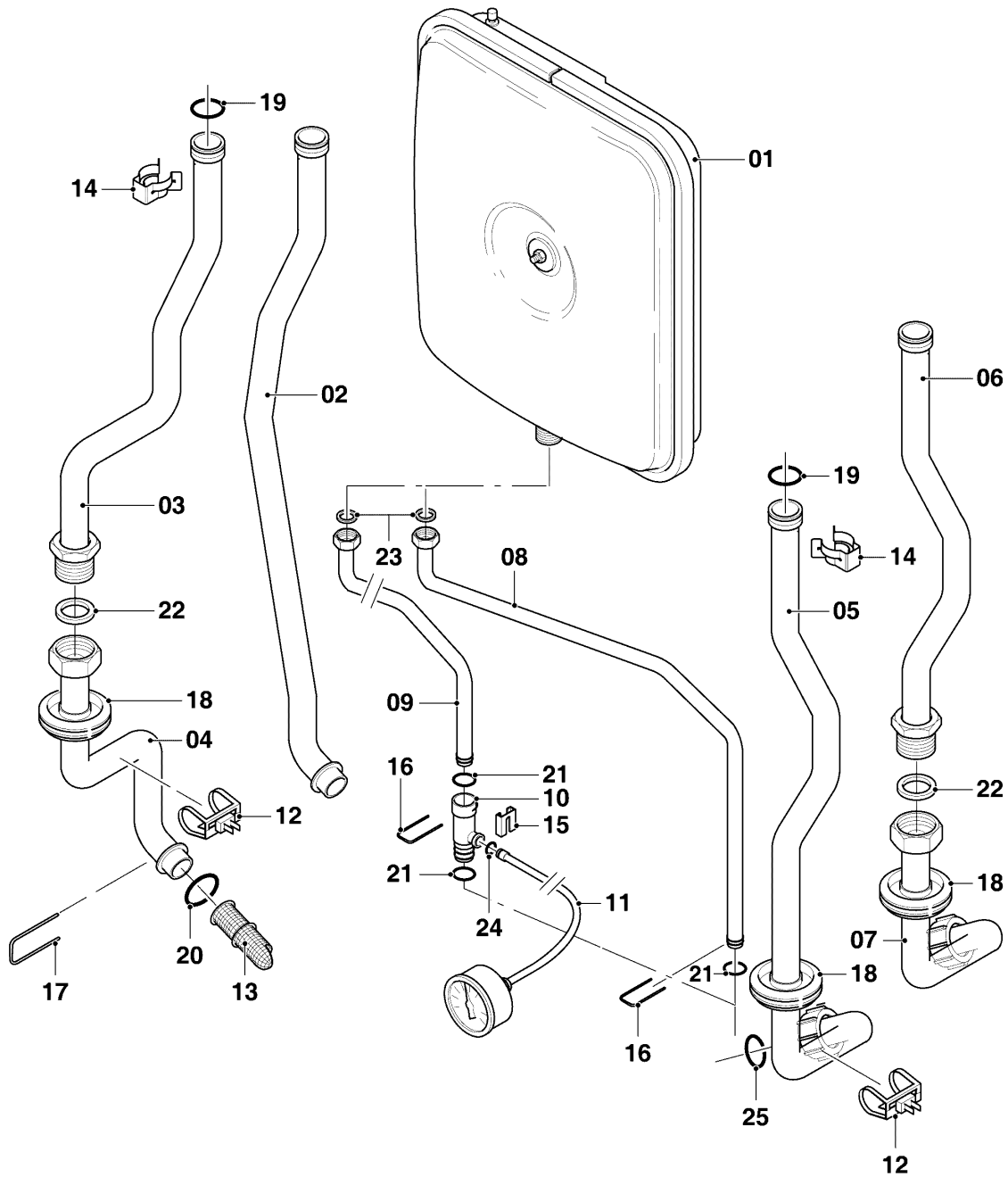
08a - Hydraulic parts

| Поз. | Артикульный номер | Описание | Указание, замечание |
|------|-------------------|----------------|-----------------------|
| 53 | 0020085467 | Gasket | |
| 54 | 0020265137 | Valve, filling | with parts 42, 43, 55 |
| 55 | 0020265138 | Handle | |

Wall-hung boilers (fan-assisted) VU,VUW

VUW 242/3-3

08b - Hydraulic parts



02-08-142.02

Wall-hung boilers (fan-assisted) VU,VUW

VUW 242/3-3

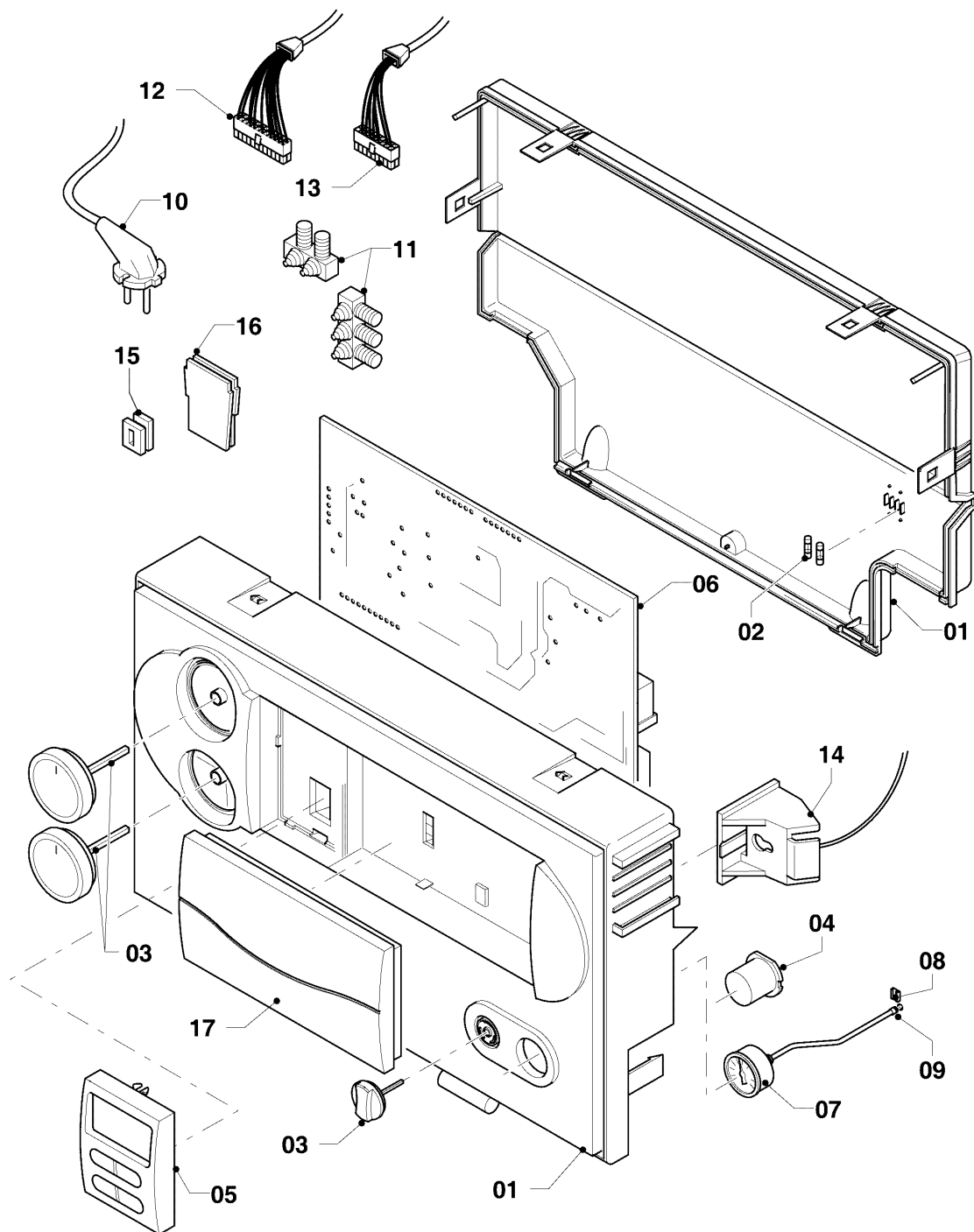
08b - Hydraulic parts

| Поз. | Артикульный номер | Описание | Указание, замечание |
|------|-------------------|--------------------------|---|
| 01 | 181061 | Expansion vessel 6 ltr. | round |
| 01 | 181057 | Expansion vessel, 10 L | rectangular |
| 02 | - | - | not for these appliances |
| 03 | 0020041921 | Tube 24-32kW turbo | VUW 242/3-3, with parts 14, 19, 22 |
| 04 | 0020041923 | Tube | with parts 17, 18, 20, 22 |
| 05 | 0020041928 | Tube 24kW turbo | VUW 242/3-3, with parts 14, 18, 19, 25 |
| 06 | 0020041931 | Tube 36kW | only for VUW 362, with parts 14, 19, 22 |
| 07 | 0020041930 | Tube 36kW | only for VUW 362, with parts 18, 22, 25 |
| 08 | 0020041914 | Tube | with parts 16, 21, 23 |
| 09 | 0020041915 | Tube | with parts 16, 21, 23 |
| 10 | 0020023812 | Adapter manometer | with parts 15, 16, 21, 24 |
| 11 | 180982 | Pressure gauge | with parts 15, 24 |
| 12 | 0020068120 | Sensor, NTC 19mm | |
| 13 | 179030 | Filter | with parts 17, 20 |
| 14 | 219621 | Spring clamp, (x10) | |
| 15 | 0020107709 | Support | |
| 16 | 0020107694 | Clip, (x5) | |
| 17 | 178992 | Clip, (x10) | |
| 18 | 0020085467 | Gasket | |
| 19 | 981151 | O-ring, (x10) | |
| 20 | 193537 | O-ring, (x10) | |
| 21 | 178993 | O-ring, (x10) | |
| 22 | 981140 | Sealing ring, 3/4, (x10) | |
| 23 | 981149 | Sealing ring, (x10) | |
| 24 | 981155 | O-ring, (x10) | |
| 25 | 193539 | O-ring, (x10) | |

Wall-hung boilers (fan-assisted) VU,VUW

VUW 242/3-3

12 - Control box



02-12-051.01

Wall-hung boilers (fan-assisted) VU,VUW

VUW 242/3-3

12 - Control box

| Поз. | Артикульный номер | Описание | Указание, замечание |
|------|-------------------|----------------------------------|---|
| 01 | 193582 | Casing | VUW 242/3-3, with parts 02, 03 |
| 02 | 0020067507 | Fuse, 2,0 A T2H, (x10) | 2.0 AT |
| 03 | 0020074963 | Buttons grey, kit of 3 | VUW 242/3-3 |
| 04 | 180981 | Plug | |
| 05 | 0020040154 | Display | VUW 242/3-3 |
| 06 | 0020092371 | Printed circuit | |
| 07 | 180982 | Pressure gauge | with parts 08, 09 |
| 08 | 0020107709 | Support | |
| 09 | 981155 | O-ring, (x10) | |
| 10 | 0020200688 | Supply harness | |
| 11 | 078533 | Cable fixation | |
| 12 | 0020133899 | Wiring harness, hydraulics | VUW 242/3-3, gas section, pressure sensor, 3-way valve, flow sensor |
| 13 | 0020041937 | Cable tree (harness) turbo | VUW 242/3-3, ionisation electrode, fan, pressure safeguard, NTC sensor heating water in/out |
| 14 | 0020041932 | Fastening strap | |
| 15 | 139438 | Black plastic filler control box | |
| 16 | 0020041940 | Plug | |
| 17 | 0020130489 | Cover control slot, grey | |