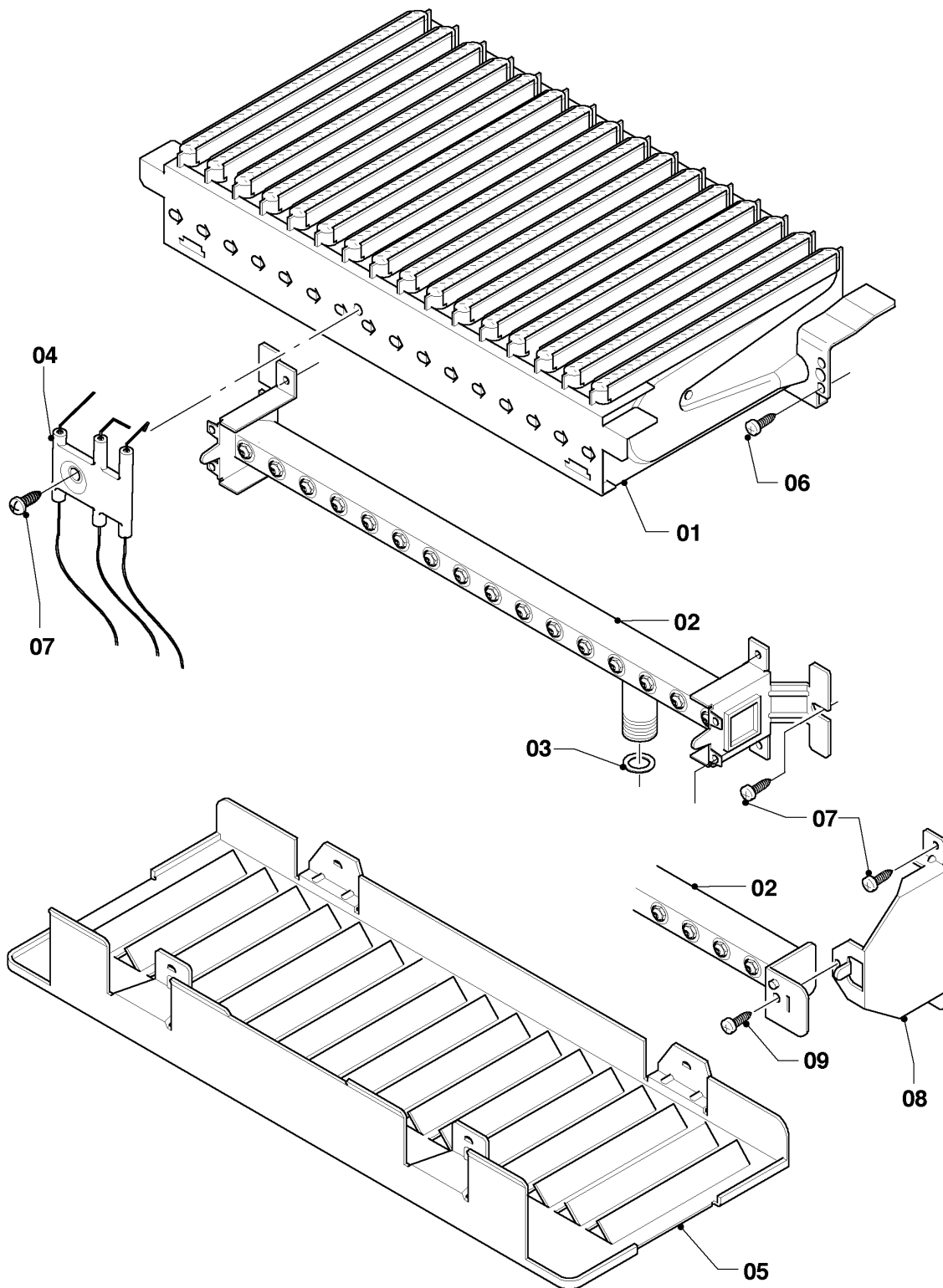


## Wall-hung boilers (fan-assisted) VU, VUW

VUW 242/3-5

04 - Burner



02 - 04 - 045.01

## Wall-hung boilers (fan-assisted) VU,VUW

VUW 242/3-5

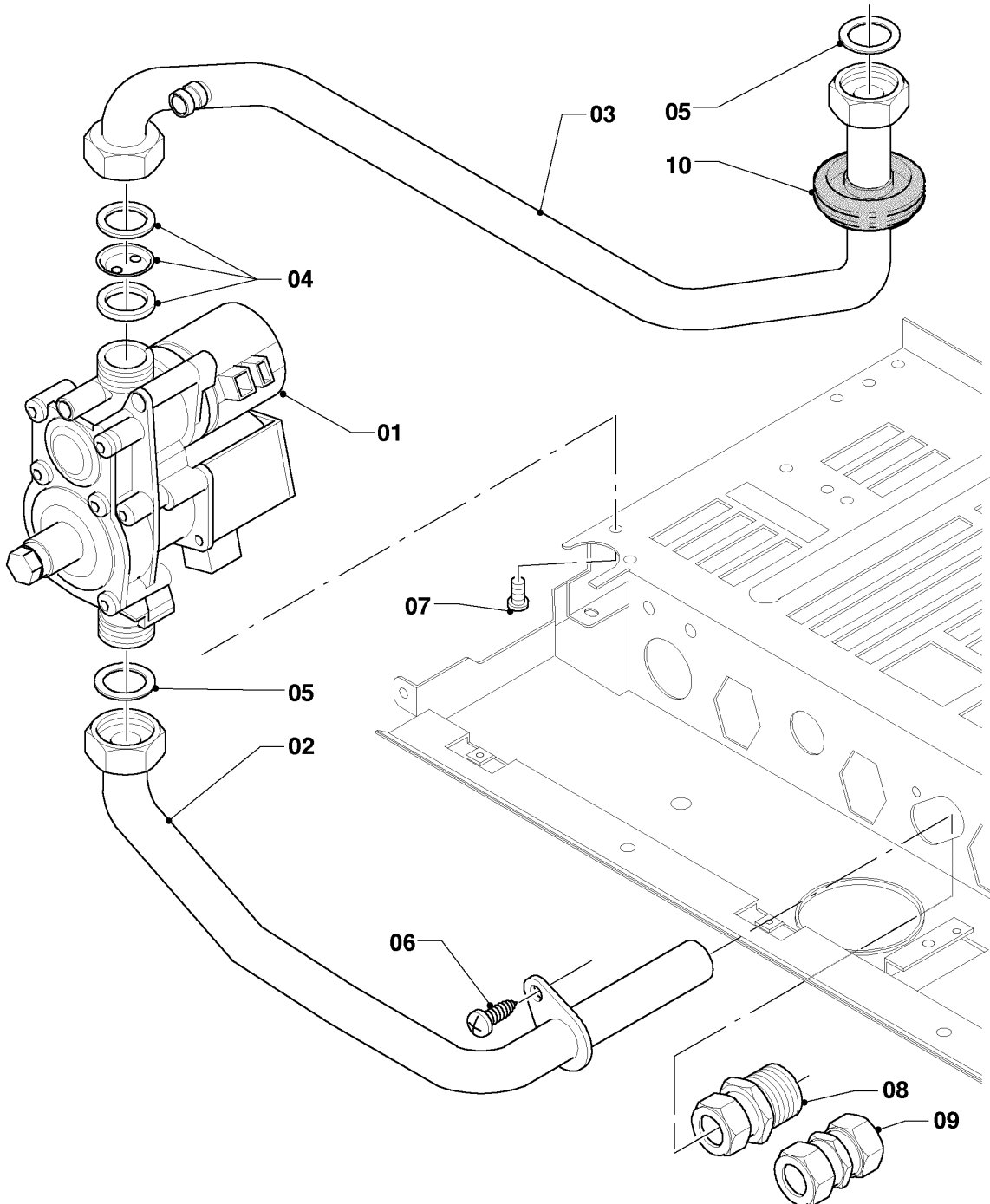
04 - Burner

Поз.	Артикульный номер	Описание	Указание, замечание
01	0020039045	Burner chamber group 24kW	VUW 242/3-5, with part 06
02	0020039051	Burner support 24kW H	VUW 242/3-5, natural gas H, with parts 03, 07
02	0020039052	Burner support 24kW B	VUW 242/3-5, LP-gas B, with parts 03, 07
03	981142	Sealing ring, (x10)	
04	0020039057	Electrode	VUW 202...282, with part 07
04	090751	Electrode	VUW 322...362, with part 07
05	-	-	not for these appliances
06	0010027607	Screw, (x10)	
07	0020107695	Screw, (x10)	
08	0020039055	Support (left + right)	only for VUW 322, with part 07
08	0020039056	Support, (x2)	only for VUW 362, with part 07
09	0020198257	Screw, (x10)	

## Wall-hung boilers (fan-assisted) VU,VUW

VUW 242/3-5

05 - Gas section



02 - 05 - 023.02

## Wall-hung boilers (fan-assisted) VU,VUW

VUW 242/3-5

05 - Gas section

Поз.	Артикульный номер	Описание	Указание, замечание
00	0020048941	Conversion set to PB (37mbar)	to P/B (37mbar), 12-28kW, (PL), Attention: Replace gas pipe (pos. 03) if it has no test nipple. The spare part always contains a test nipple.
00	0020048945	Conversion set to GZ41/Lw	to GZ41/Lw, 20-28kW, (PL)
00	0020048935	Conversion set to H (13+20mbar)	to H (13+20mbar), 24-36kW, (BG,CZ,GR,INT,PL,RO,SK,TR)
00	0020053220	Conversion set to H (20mbar)	to H (20mbar), 24-36kW, (EXP)
00	0020053226	Conversion set to PB (28-37mbar)	to P/B (30mbar), 32-36kW, (EXP,GR,INT,PT,RO,SOE,TR), Attention for GR,INT,RO (only for 32 kW): Replace gas pipe (pos. 03) if it has no test nipple. The spare part always contains a test nipple.
00	0020053224	Conversion set to PB (29-37mbar)	to P/B (30mbar), 11-28kW, (BG,CZ,EXP,GR,HU,INT,RO,SK,SOE,TR), Attention for BG,CZ,INT,RO,SK,TR (only for 12 and 20 kW): Replace gas pipe (pos. 03) if it has no test nipple. The spare part always contains a test nipple.
00	0020048931	Conversion set to PB (50mbar)	to P/B (50mbar), 20-28kW, (HU)
00	0020048943	Conversion set to GZ35/Ls	to GZ35/Ls, 20-28kW, (PL)
00	0020048925	Conversion set to H	to H, 20-36kW, (SOE)
00	0020048933	Conversion set to H (13+20mbar)	to H (13+20mbar), 20kW, (BG,CZ,INT,PL,RO,SK,TR)
00	0020048939	Conversion set to 2H (25mbar)	to 2H (25mbar), 20-28kW, (HU)
00	0020048937	Conversion set to 2S (25mbar)	to 2S (25mbar), 20-28kW, (HU)
01	0020019991	Gas section	natural gas H, all powers, without pressure regulator, (EXP,HU,SOE), with parts 05, 07
01	0020052048	Gas section (with regulator)	natural gas H, 20kW, with pressure regulator, (BG,CZ,GR,INT,PL,RO,SK,TR), with parts 05, 07
01	0020019992	Gas section	LP-gas B, all powers, without pressure regulator, (for all countries), with parts 05, 07

## Wall-hung boilers (fan-assisted) VU,VUW

VUW 242/3-5

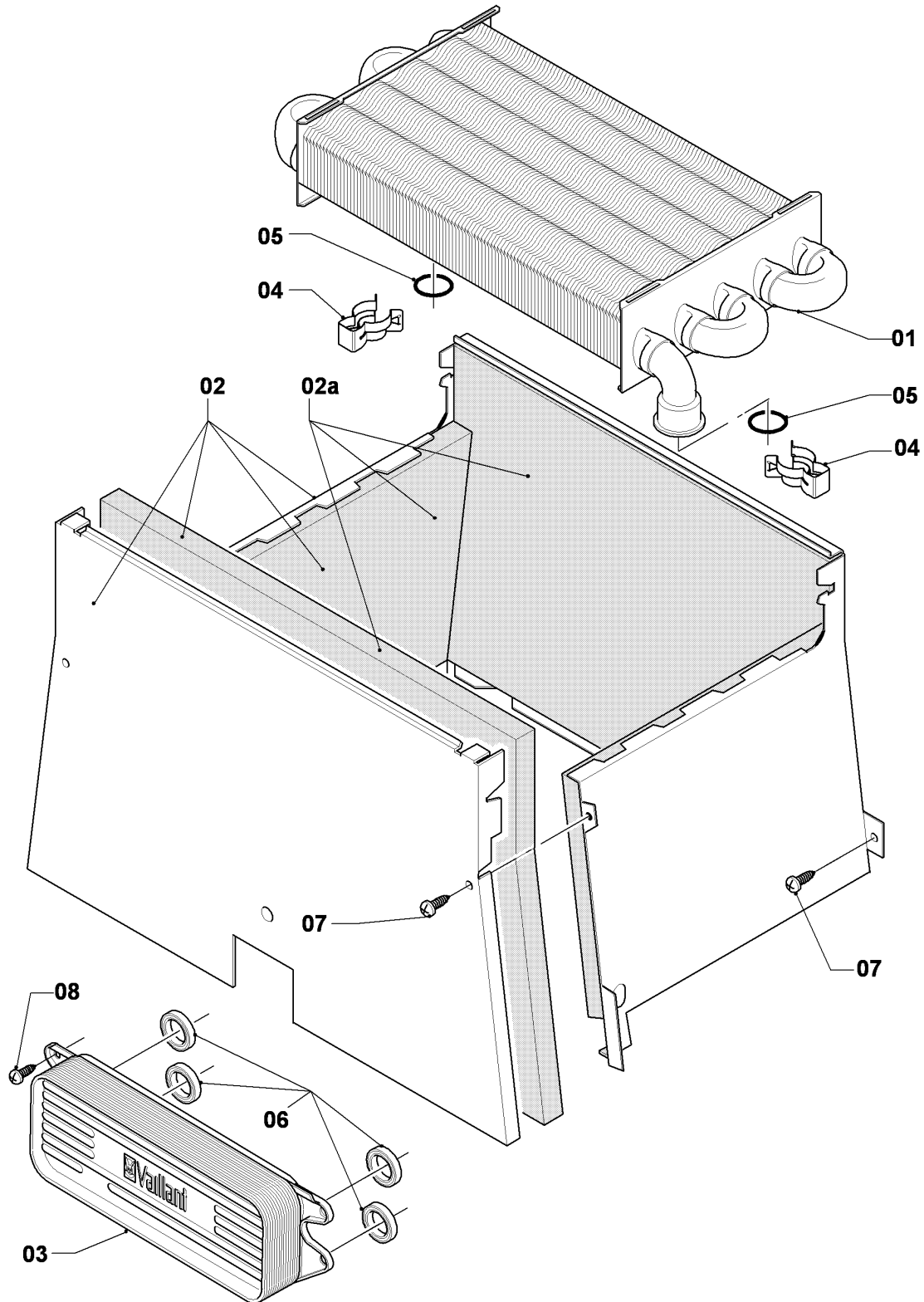
05 - Gas section

Поз.	Артикульный номер	Описание	Указание, замечание
01	0020053968	Gas section (with regulator)	natural gas H, 24-36kW, with pressure regulator, (BG,CZ,GR,INT,PL,RO,SK,TR), with parts 05,07
02	0020039061	Tube gas	with parts 05, 06
03	0020039063	Tube gas turbo	VUW 242/3-5, with part 05
04	049747	Throttle jet 2 x 2.60	
04	049749	Throttle jet 2 x 3.25	
04	049750	Throttle jet 2 x 3.50	
04	049751	Throttle jet 2 x 3.75	
04	049752	Throttle jet 2 x 4.00	
04	049753	Throttle jet 2 x 4.20	
04	0020012784	Throttle jet 2 x 4.50	
04	0020049665	Throttle jet 2 x 5.50	
05	981142	Sealing ring, (x10)	
06	0020107695	Screw, (x10)	
07	0010027607	Screw, (x10)	
08	083437	Compression fitting R3/4 x 15	
09	083435	Compression fitting, 15 x 15	
10	0020085467	Gasket	

## Wall-hung boilers (fan-assisted) VU,VUW

VUW 242/3-5

06 - Heat exchanger



02 - 06 - 051.01

## Wall-hung boilers (fan-assisted) VU,VUW

VUW 242/3-5

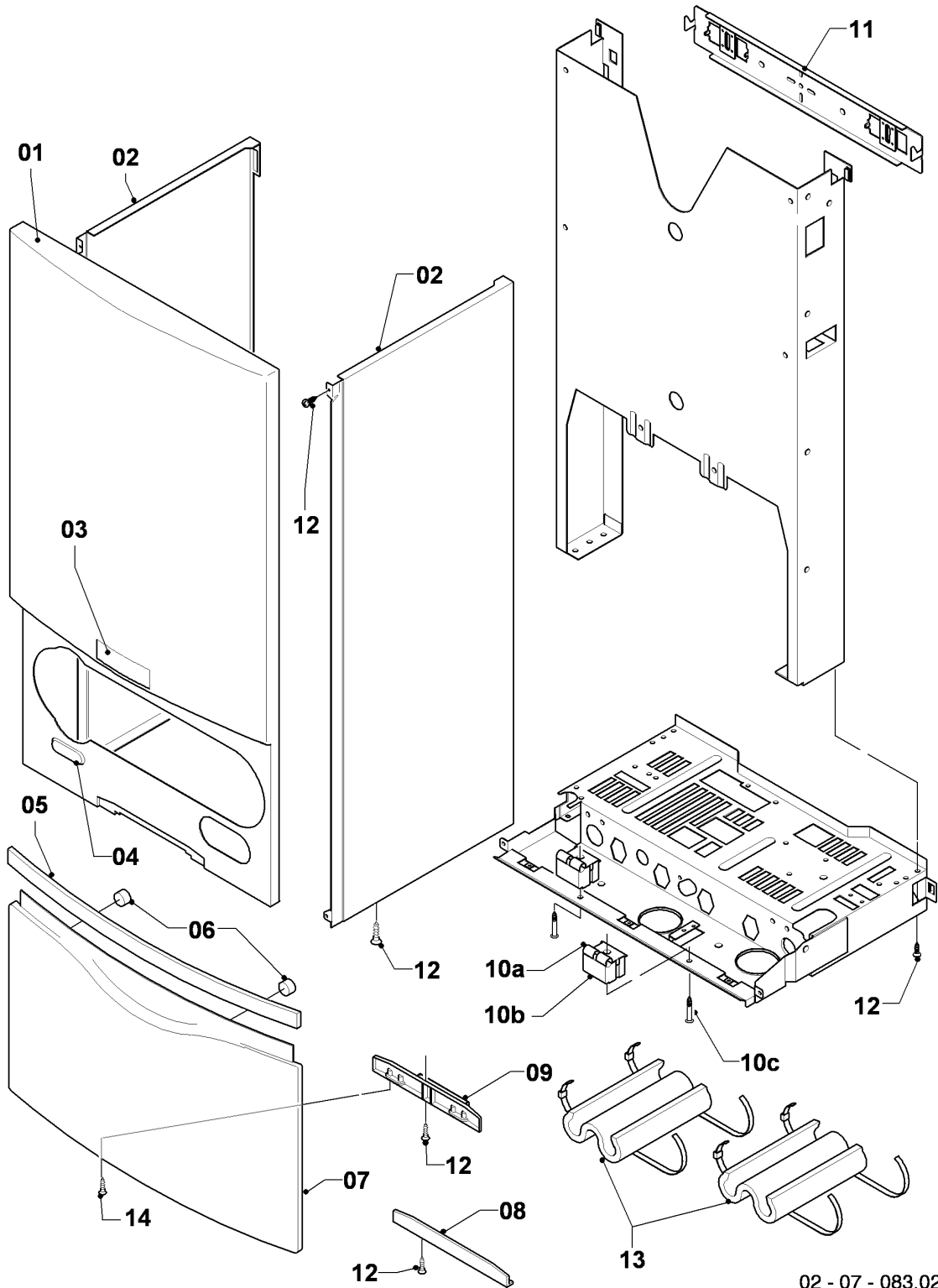
06 - Heat exchanger

Поз.	Артикульный номер	Описание	Указание, замечание
01	0020019994	Heat exchanger, 92 fins	VUW 242/3-5, with parts 04, 05
02	0020039070	Combustion chamber	VUW 242/3-5, with part 07
02a	0020082190	Insulation (set)	VUW 242/3-5
03	0020038572	Heat exchanger dhw (19 plates)	VUW 242/3-5, with parts 06, 08
04	219621	Spring clamp, (x10)	
05	981151	O-ring, (x10)	
06	178969	Gasket, type C, (x10)	
07	0020107695	Screw, (x10)	
08	178968	Screw, (x10)	

# Wall-hung boilers (fan-assisted) VU, VUW

VUW 242/3-5

07a - Casing parts



02 - 07 - 083.02



## Wall-hung boilers (fan-assisted) VU,VUW

VUW 242/3-5

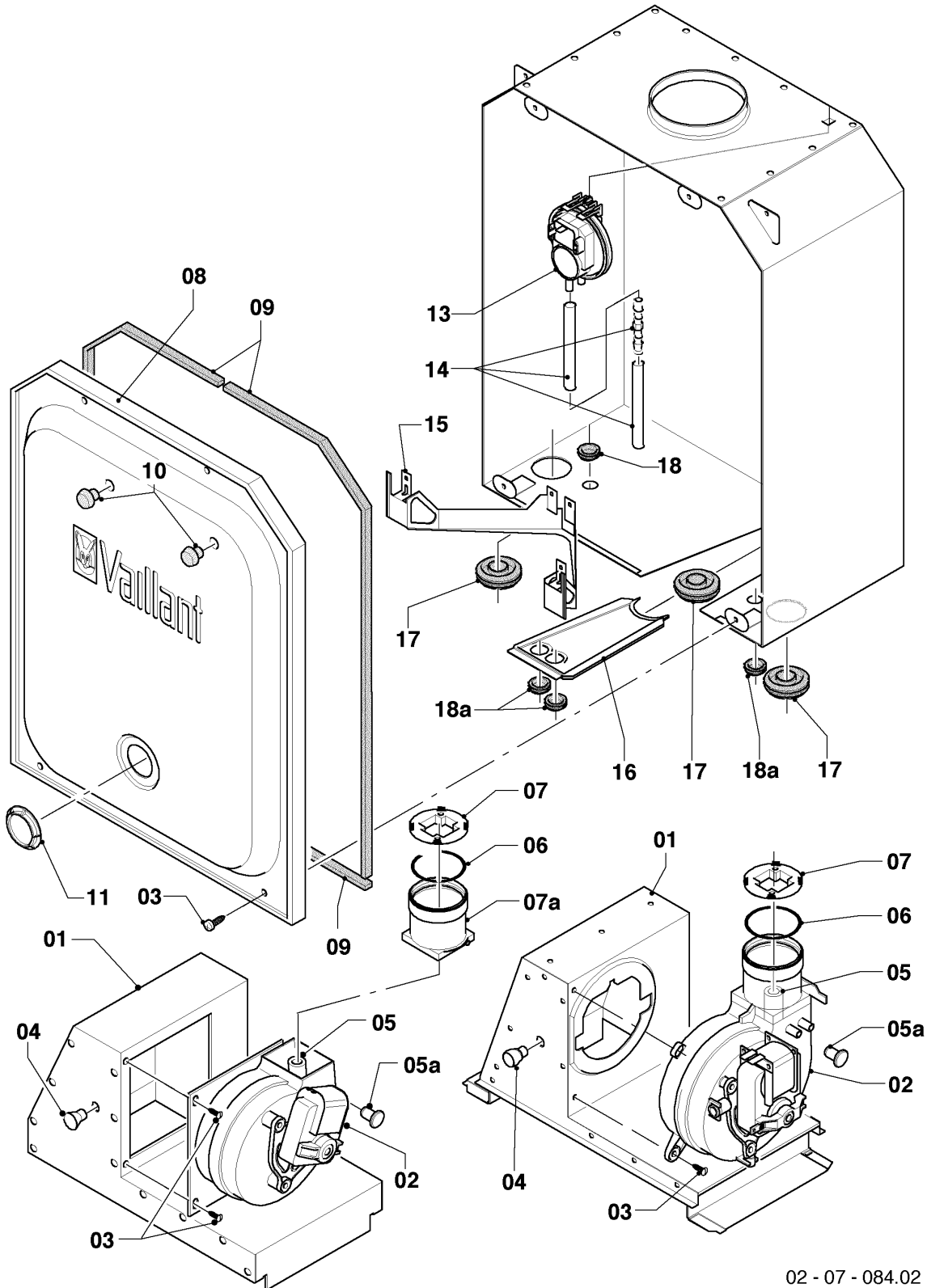
07a - Casing parts

Поз.	Артикульный номер	Описание	Указание, замечание
01	0020039073	Front panel	with parts 03, 04, 12
02	0020039074	Side panel	with part 12
03	118096	Badge, kit	
04	0020039075	Plate (set)	
05	180943	Handle (grey)	with part 06
05	180942	Handle (white)	with part 06
06	-	-	180941 no longer available, replacement for pict. no. 05
07	0020039076	Flap, cover	with parts 05, 06, 09, 12
08	0020039078	Covering plate	with part 12
09	0020039077	Hinge	with part 12, 14
10a	0020039079	Support	with part 10c
10b	0020039080	Spacer	
10c	235708	Screw	
11	0020039072	Support	
11	0020130588	Fastening kit (screws + plugs)	not shown
12	0020107695	Screw, (x10)	
13	076629	Insulation, (x2)	only for balcony (...B)
14	0020107695	Screw, (x10)	for hinges until 03/09 (diameter of drill hole: 4mm)
14	193538	Screw, (x10)	for hinges from 03/09 (diameter of drill hole: 3mm)

# Wall-hung boilers (fan-assisted) VU, VUW

VUW 242/3-5

07b - Air pressure chamber



02 - 07 - 084.02

## Wall-hung boilers (fan-assisted) VU,VUW

VUW 242/3-5

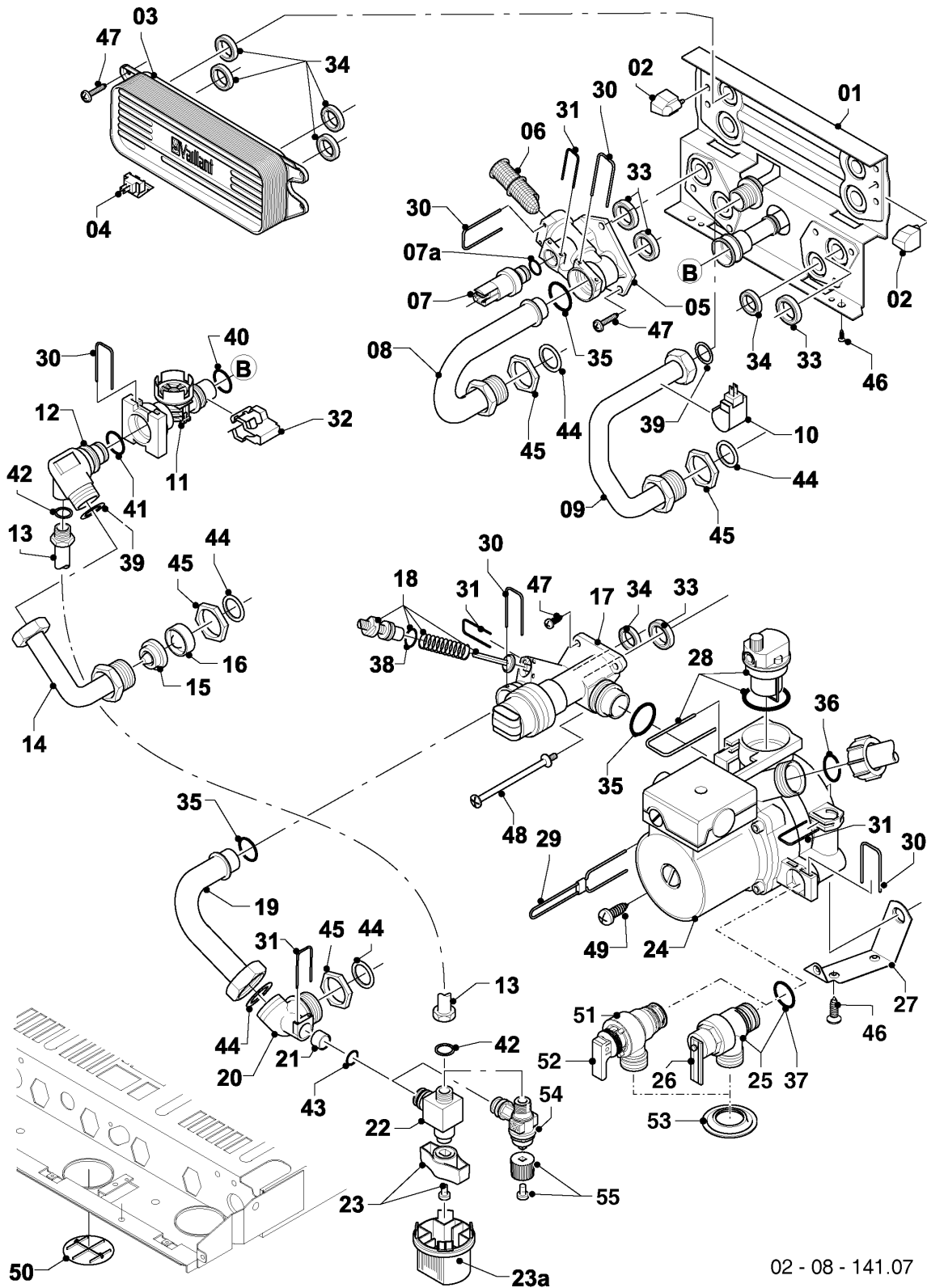
07b - Air pressure chamber

Поз.	Артикульный номер	Описание	Указание, замечание
01	0020039087	Cap flue gas 24kW	VUW 242/3-5, with parts 03, 04
02	0020020008	Fan	VUW 242/3-5, with parts 03, 05, 06, 07
03	0020107695	Screw, (x10)	
04	0020039091	Outlet	not for VUW 362
04	210981	Rubber funnel	only for VUW 362
05	0020130543	Pitot tubes (venturie) with caps	
05a	0020020013	Plug, (x5)	
06	0020209348	Lip seal, silicone (DN 60)	
07	0020039094	Insert nature	VUW 242/3-5, for air/flue duct assembly <2.0m
07	0020039095	Insert nature	VUW 242/3-5, for air/flue duct assembly >2.0m
07a	083384	Sleeve	
08	0020068134	Cover	VUW 242/3-5, with parts 03, 09, 10, 11
09	0020041904	Gasket kit	
10	139472	Plug (set)	
11	0020020011	Inspection glass	
13	0020041905	Pressure safeguard/switch	with parts 05a, 14
14	0020041906	Hose set	with part 05a
15	0020051041	Guide plate	VUW 242/3-5
16	0020041907	Insert	
17	0020085467	Gasket	
18	0010027618	Gasket, (x5)	
18a	509121	Gasket, (x10)	

# Wall-hung boilers (fan-assisted) VU, VUW

VUW 242/3-5

08a - Hydraulic parts



02 - 08 - 141.07

## Wall-hung boilers (fan-assisted) VU,VUW

VUW 242/3-5

08a - Hydraulic parts

Поз.	Артикульный номер	Описание	Указание, замечание
00	0010032799	Plug	not shown for pos. 24, 0010030632
01	178965	Support	with parts 02,32,33,34,35,39,40,46,47,48
02	193536	Guide, (x2)	
03	0020038572	Heat exchanger dhw (19 plates)	VUW 242/3-5, with parts 34, 47
04	103430	Sensor NTC, DHW heat exchanger	
05	179031	Connection, brass	with parts 07a, 30, 31, 33, 35, 47
06	179030	Filter	with parts 30, 35
07	0020059717	Sensor (water pressure)	with parts 07a, 31
07a	178993	O-ring, (x10)	
08	179033	Pipe	with parts 35, 44, 45
09	179034	Pipe	with parts 39, 44, 45
10	103429	Sensor NTC, DHW outlet pipe	
11	178988	Flow sensor	with parts 30, 32, 40, 41
12	0020018067	Connection piece	with parts 30, 39, 41, 42
13	0020018066	Tube	with part 42
14	179037	Pipe	with parts 15, 16, 39, 44, 45
15	-	-	not for these appliances
16	074514	Filter	
17	0020270733	Cable, adapter for SAIA 3wv motor	not shown
17	0020132682	Diverter valve, brass, with adaptor	with parts 18,30,31,33,34,35,47,48
18	178980	Bypass	with part 31
19	179036	Pipe	with parts 35, 44
20	0020018068	Connection piece	with parts 43, 44, 45
21	0020018064	Non-return valve	
22	-	-	replaced by pict. no. 54
23	0020010292	Handle, (x2)	
23a	0020051043	Handle	
24	178983	Pump	VUW 242/3-5, with parts 27,28,49,37,30,31,33,34,35,36,44 Future phase-out due to EU regulation

## Wall-hung boilers (fan-assisted) VU,VUW

VUW 242/3-5

08a - Hydraulic parts

Поз.	Артикульный номер	Описание	Указание, замечание
24	0010030632	Pump, high-efficiency	VUW 242/3-5, with parts 27,28,49,37,30,31,33,34,35,36,44 Cable to be ordered in case of conversion
24	0010030691	Cable	VUW 242/3-5, Required in case of conversion
25	178985	Pressure relief valve, 3 bar	with parts 26, 30, 37 (Brass)
26	178974	Lever	
27	178984	Support	with part 46
28	104521	Automatic de-aerator	
29	178981	Clip	
30	178992	Clip, (x10)	
31	0020107694	Clip, (x5)	
32	178966	Clip	
33	193535	Gasket, type C, (x10)	
34	178969	Gasket, type C, (x10)	
35	193537	O-ring, (x10)	
36	193539	O-ring, (x10)	
37	178986	O-ring, (x10)	
38	981165	O-ring, (x10)	
39	981142	Sealing ring, (x10)	
40	178991	O-ring, (x10)	
41	981163	O-ring, (x10)	
42	981146	Sealing ring, (x10)	
43	981154	O-ring, (x10)	
44	981140	Sealing ring, 3/4, (x10)	
45	193598	Nut, (PK4)	
46	0020107695	Screw, (x10)	
47	178968	Screw, (x10)	
48	0020041941	Screw (long)	
49	0020133833	Screw, (x10)	
50	0020039065	Plug	
51	0020275015	Pressure relief valve, 3 bar	with parts 30, 37, 52 (Composite)
52	-	-	not available as spare part, see pict. no. 51

## Wall-hung boilers (fan-assisted) VU,VUW

VUW 242/3-5

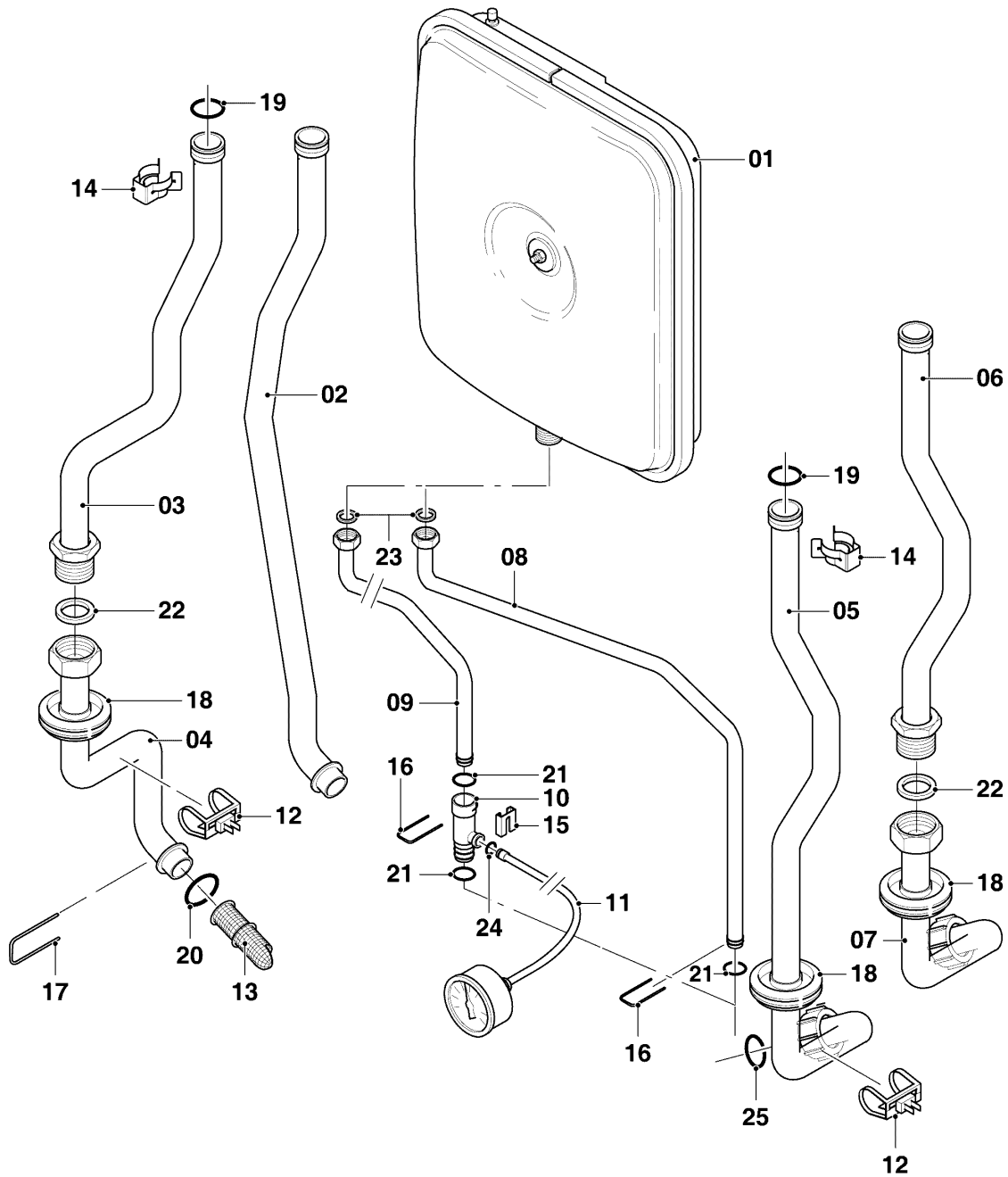
08a - Hydraulic parts

Поз.	Артикульный номер	Описание	Указание, замечание
53	0020085467	Gasket	
54	0020265137	Valve, filling	with parts 42, 43, 55
55	0020265138	Handle	

## Wall-hung boilers (fan-assisted) VU,VUW

VUW 242/3-5

08b - Hydraulic parts



02-08-142.02



## Wall-hung boilers (fan-assisted) VU,VUW

VUW 242/3-5

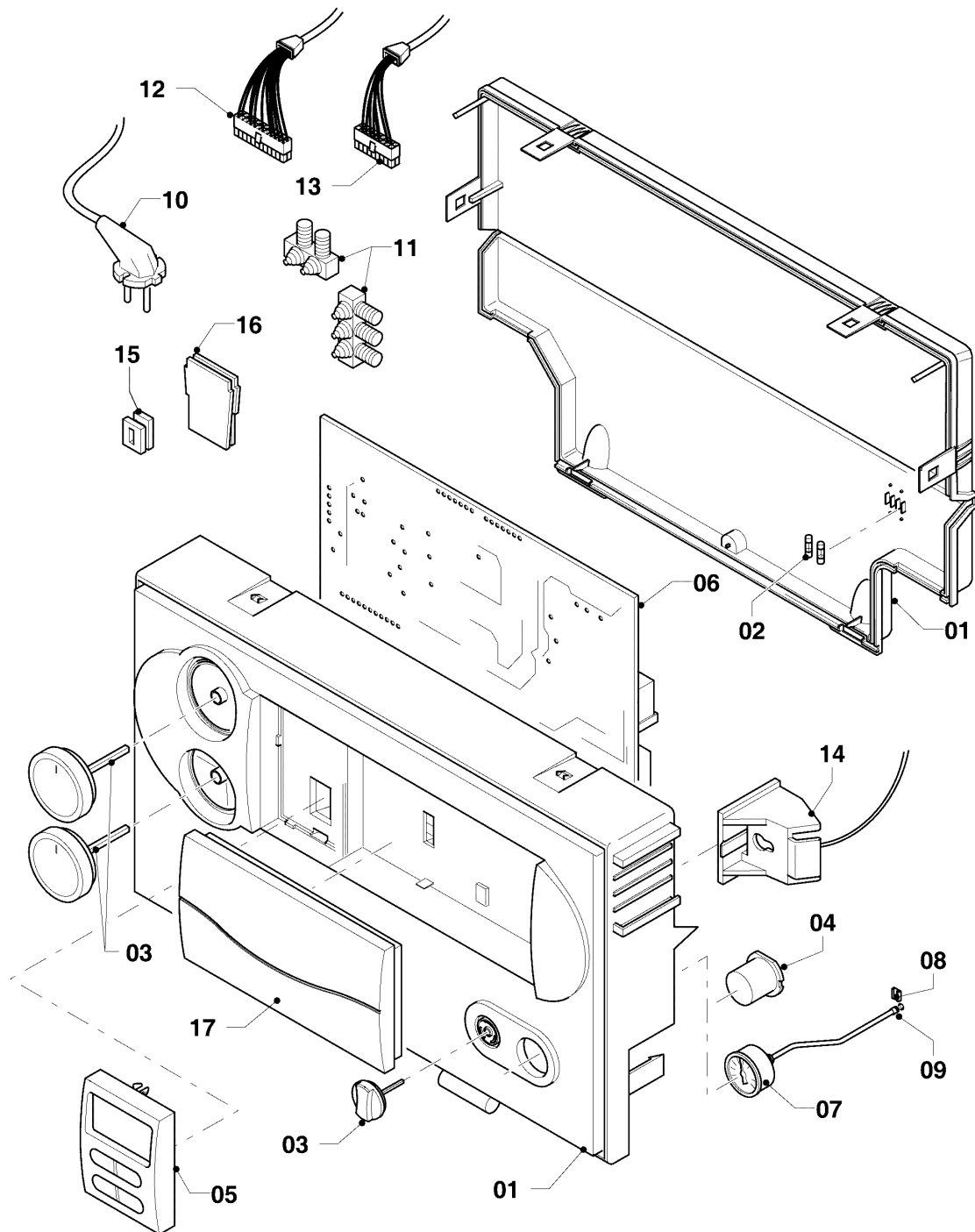
08b - Hydraulic parts

Поз.	Артикульный номер	Описание	Указание, замечание
01	181061	Expansion vessel 6 ltr.	round
01	181057	Expansion vessel, 10 L	rectangular
02	-	-	not for these appliances
03	0020041921	Tube 24-32kW turbo	VUW 242/3-5, with parts 14, 19, 22
04	0020041923	Tube	with parts 17, 18, 20, 22
05	0020041928	Tube 24kW turbo	VUW 242/3-5, with parts 14, 18, 19, 25
06	0020041931	Tube 36kW	only for VUW 362, with parts 14, 19, 22
07	0020041930	Tube 36kW	only for VUW 362, with parts 18, 22, 25
08	0020041914	Tube	with parts 16, 21, 23
09	0020041915	Tube	with parts 16, 21, 23
10	0020023812	Adapter manometer	with parts 15, 16, 21, 24
11	180982	Pressure gauge	with parts 15, 24
12	0020068120	Sensor, NTC 19mm	
13	179030	Filter	with parts 17, 20
14	219621	Spring clamp, (x10)	
15	0020107709	Support	
16	0020107694	Clip, (x5)	
17	178992	Clip, (x10)	
18	0020085467	Gasket	
19	981151	O-ring, (x10)	
20	193537	O-ring, (x10)	
21	178993	O-ring, (x10)	
22	981140	Sealing ring, 3/4, (x10)	
23	981149	Sealing ring, (x10)	
24	981155	O-ring, (x10)	
25	193539	O-ring, (x10)	

## Wall-hung boilers (fan-assisted) VU,VUW

VUW 242/3-5

12 - Control box



02-12-051.01

## Wall-hung boilers (fan-assisted) VU,VUW

VUW 242/3-5

12 - Control box

Поз.	Артикульный номер	Описание	Указание, замечание
01	0020041164	Casing (Performance, grey)	VUW 242/3-5, with parts 02, 03
02	0020067507	Fuse, 2,0 A T2H, (x10)	2.0 AT
03	0020048969	Buttons grey, kit of 3	VUW 242/3-5
04	180981	Plug	
05	0020056561	Display, grey	VUW 242/3-5
06	0020092371	Printed circuit	
07	180982	Pressure gauge	with parts 08, 09
08	0020107709	Support	
09	981155	O-ring, (x10)	
10	0020200688	Supply harness	
11	078533	Cable fixation	
12	0020128702	Wiring harness hydraulics	VUW 242/3-5, gas section, pressure sensor, 3-way valve, flow sensor, NTC sensor DHW heat exchanger, NTC sensor DHW out
13	0020041937	Cable tree (harness) turbo	VUW 242/3-5, ionisation electrode, fan, pressure safeguard, NTC sensor heating water in/out
14	0020041932	Fastening strap	
15	139438	Black plastic filler control box	
16	0020041940	Plug	
17	0020130489	Cover control slot, grey	