

VAILLANT SPARE PART CATALOGUE

TURBOmax Pro 24-28 E

VUW 242,242/2 -3 H

VUW 282,282/2 -3 H

TURBOmax Plus 824-828 E

VUW 242,242/2 -5 H/B

VUW 282,282/2 -5 H/B

THERMOcompact 615-628 E

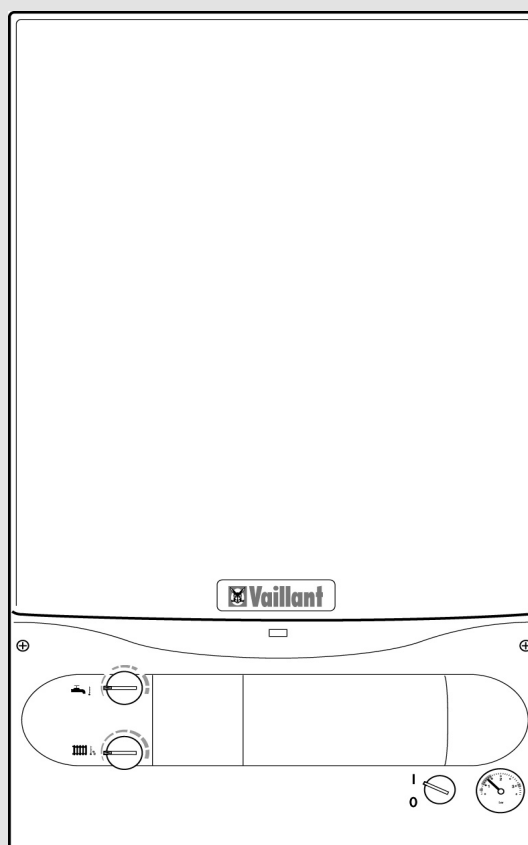
VU 152,152/2 -5 H

VU 202,202/2 -5 H/B

VU 242,242/2 -5 H

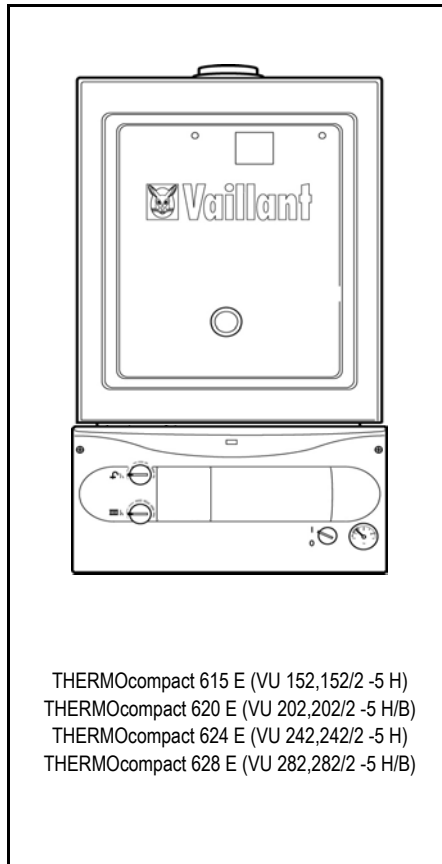
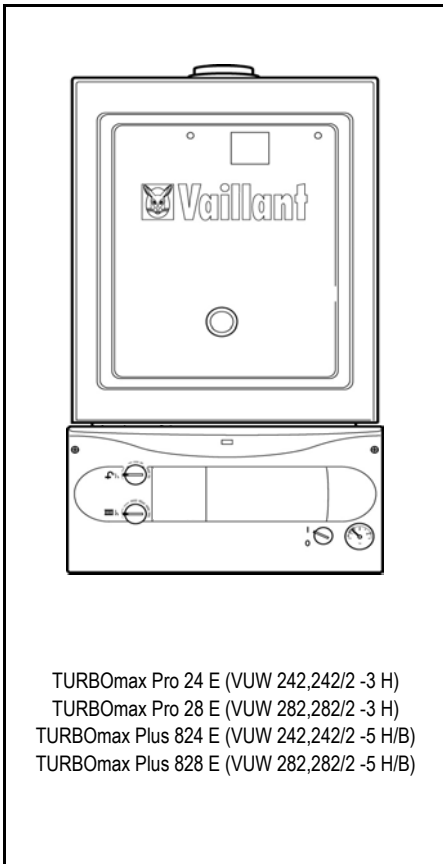
VU 282,282/2 -5 H/B

This catalogue covers original
TURBOmax Pro and Plus and
THERMOcompact models.
Also the later */2* versions are covered
(e.g. VUW 242 -3 and VUW 242/2 -3).
Refer to the appliance data badge
for identification.



802762.04 GB 05/01

View of appliances / Content



General view of sheets

TURBOMax Pro/Plus
 THERMOcompact

Main component 04
 burner

1

Main component 05
 gas section

3

Main component 06
 heat exchanger

5

Main component 07a
 casing parts

7

Main component 07b
 air pressure chamber, fan

9

Main component 08a
 hydraulic parts

TURBOMax Pro/Plus
 THERMOcompact

11

15

Main component 08b
 connecting accessories

17

Main component 12
 switch box

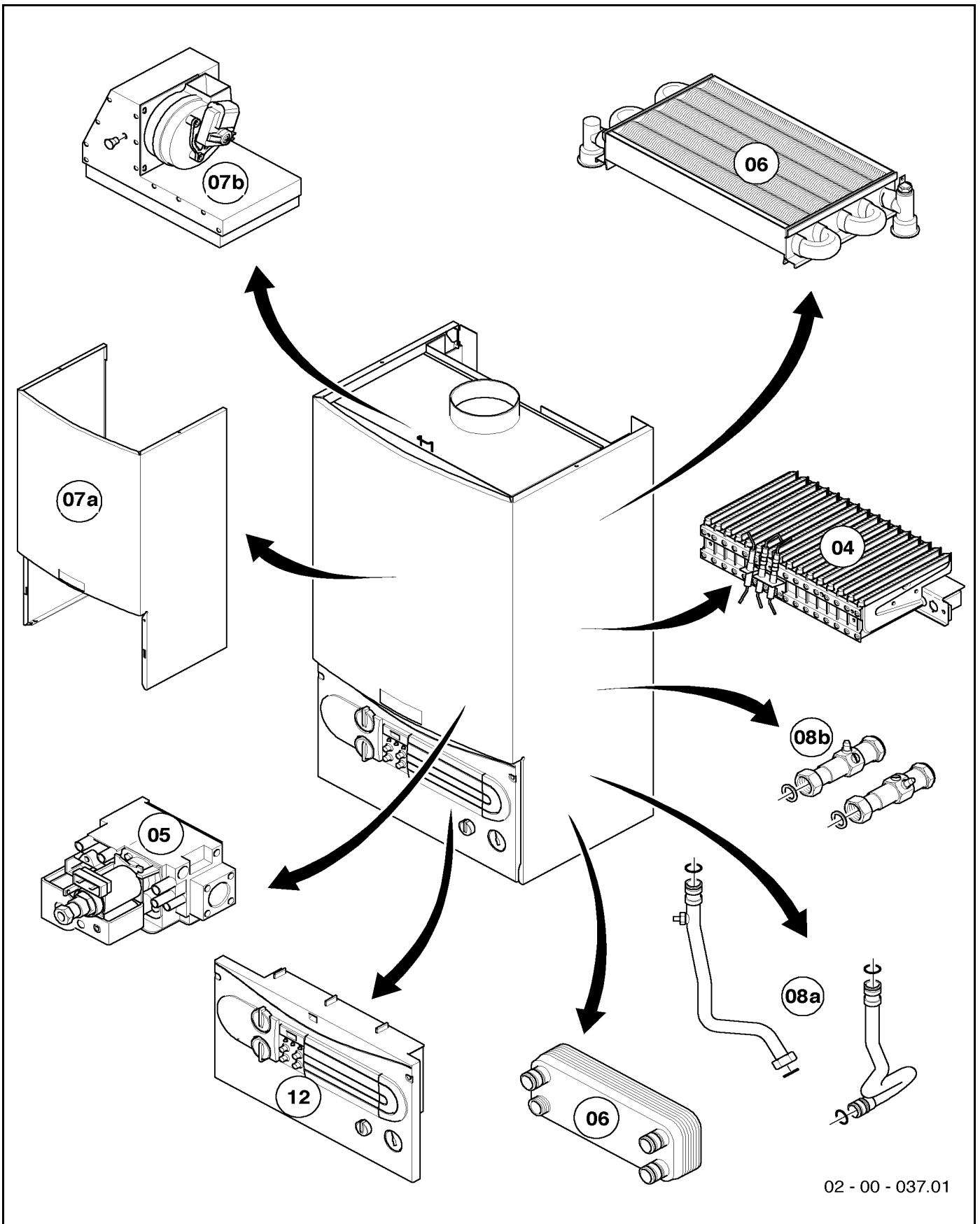
19

In order to maintain the safe and efficient operation of this appliance, only genuine Vaillant spare parts must be used.

General view sheet

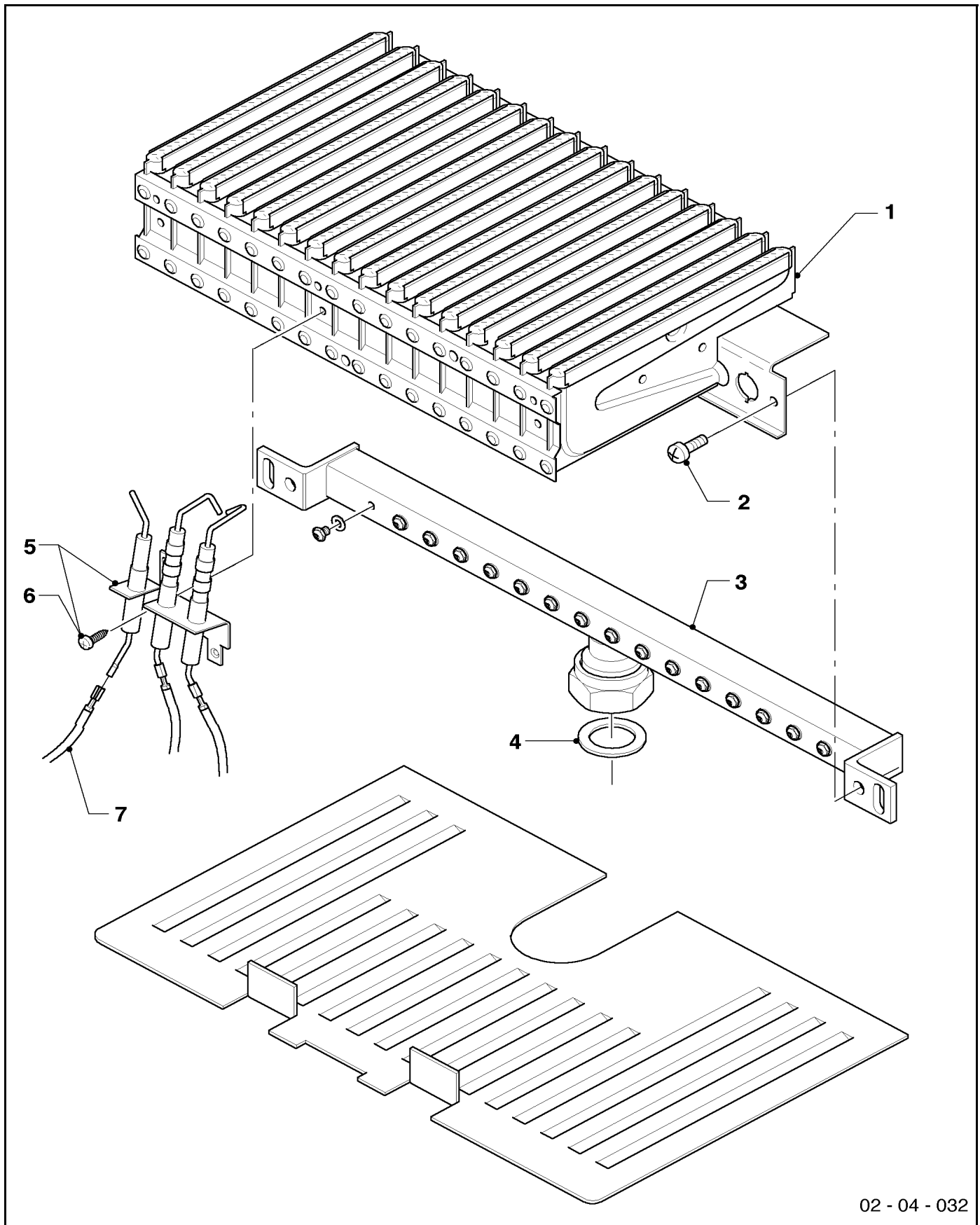
TURBOmax Pro/Plus VUW 242 -3, 282 -3, 242 -5, 282 -5 H/B (inc. ../2)

THERMOcompact VU 152 -5, 202 -5, 242 -5, 282 -5 H/B (inc. ../2)



02 - 00 - 037.01

Main component 04 Burner
TURBOmax Pro/Plus VUW 242 -3, 282 -3, 242 -5, 282 -5 H/B (inc. ../2)
THERMOcompact VU 152 -5, 202 -5, 242 -5, 282 -5 H/B (inc. ../2)

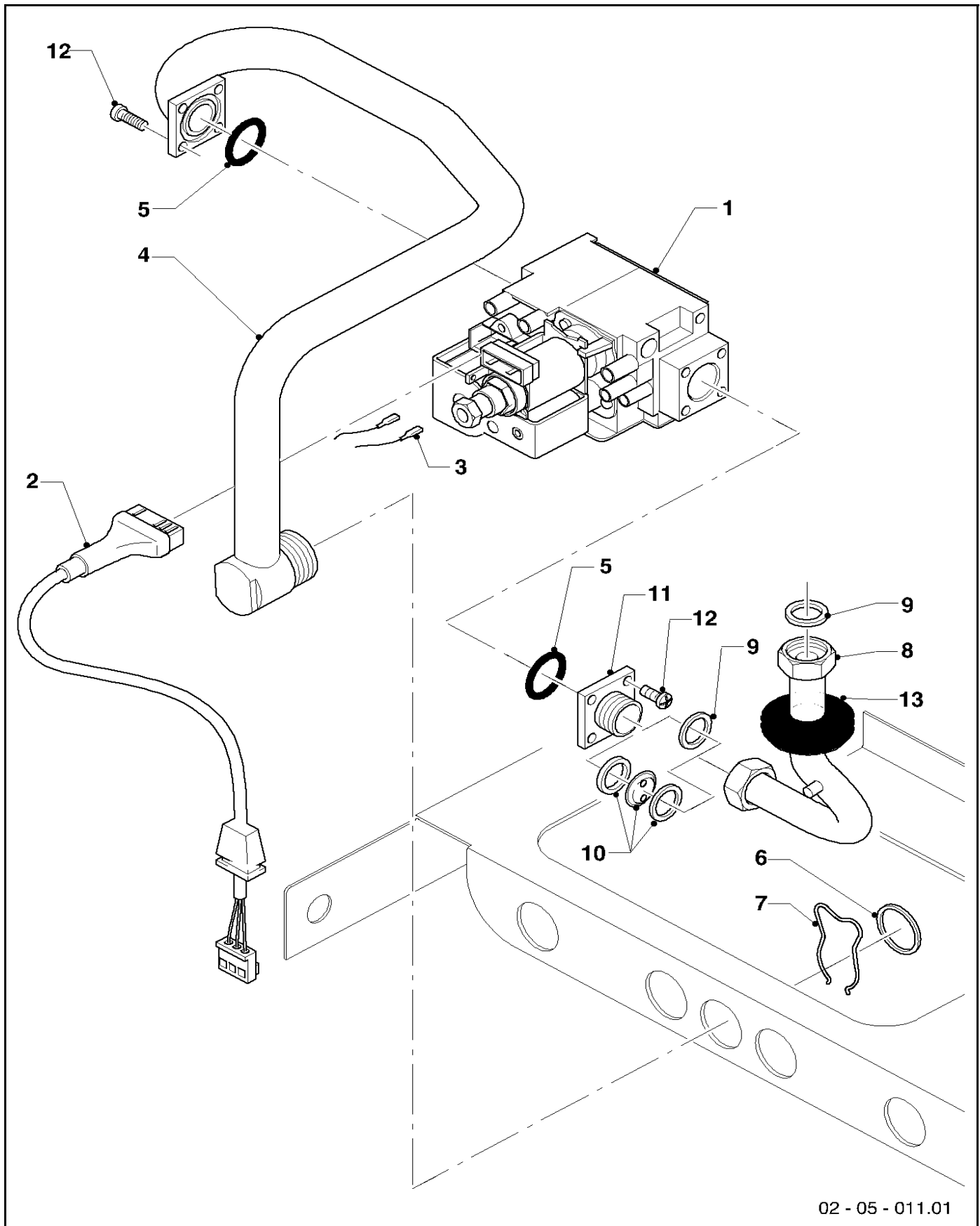


02 - 04 - 032

Main component 04 Burner
TURBOmax Pro/Plus VUW 242 -3, 282 -3, 242 -5, 282 -5 H/B (inc. ../2)
THERMOcompact VU 152 -5, 202 -5, 242 -5, 282 -5 H/B (inc. ../2)

Pos.- No.	Article-No.	Part	with parts	TURBOmax						THERMOcompact						
				Pro 24 E H	Pro 28 E H	Plus 824 E H	Plus 824 E B	Plus 828 E H	Plus 828 E B	615 E H	620 E H	620 E B	624 E H	628 E H	628 E B	
		02-04-032														
01	031508	burner chamber group cpl. 12,15kW	2								x					
	031509	burner chamber group cpl. 20kW	2								x	x				
	031500	burner chamber group, cpl. 24kW	2	x		x	x						x			
	031501	burner chamber group, cpl. 28kW	2		x			x	x					x	x	
02	118937	oval head screw M5x12		x	x	x	x	x	x		x	x	x	x	x	x
03	Only for versions below ../2 e.g. VUW 242															
	126762	distributor tube, cpl. 12,15kW H-gas	2,4,5								x					
	126751	distributor tube, cpl. 20kW H-gas	2,4,5									x				
	126754	distributor tube, cpl. 20kW PB-gas	2,4,5										x			
	126752	distributor tube, cpl. 24kW H-Gas	2,4,5	x		x							x			
	126753	distributor tube, cpl. 28kW H-Gas	2,4,5		x			x						x		
	126755	distributor tube, cpl. 24kW PB-Gas	2,4,5				x									
	126756	distributor tube, cpl. 28kW PB-Gas	2,4,5						x							x
	Only for ../2 versions e.g. VUW 242/2															
	126777	distributor tube, cpl. 12,15kW H-gas	2,4,5								x					
	126778	distributor tube, cpl. 20kW H-gas	2,4,5									x				
	126779	distributor tube, cpl. 20kW B-gas	2,4,5										x			
	126780	distributor tube, cpl. 24kW H-gas	2,4,5	x		x								x		
	126781	distributor tube, cpl. 24kW B-gas	2,4,5		x			x							x	
	126782	distributor tube, cpl. 28kW H-gas	2,4,5				x									
	126783	distributor tube, cpl. 28kW B-gas	2,4,5						x							x
04	235715	sheet-metal screw ST4,8x9,5		x	x	x	x	x	x		x	x	x	x	x	x
05	981142	washer 13,0x18,3x1,5, set of 10		x	x	x	x	x	x		x	x	x	x	x	x
06	090724	ignition + monitoring electrode, cpl.	7	x	x	x	x	x	x		x	x	x	x	x	x
07	235750	sheet-metal screw ST4,2x13 special steel		x	x	x	x	x	x		x	x	x	x	x	x
08	256097	cable tree, cpl.		x	x	x	x	x	x							
	256116	cable tree, cpl.									x	x	x	x	x	x

Main component 05 Gas section
TURBOmax Pro/Plus VUW 242 -3, 282 -3, 242 -5, 282 -5 H/B (inc. ../2)
THERMOcompact VU 152 -5, 202 -5, 242 -5, 282 -5 H/B (inc. ../2)

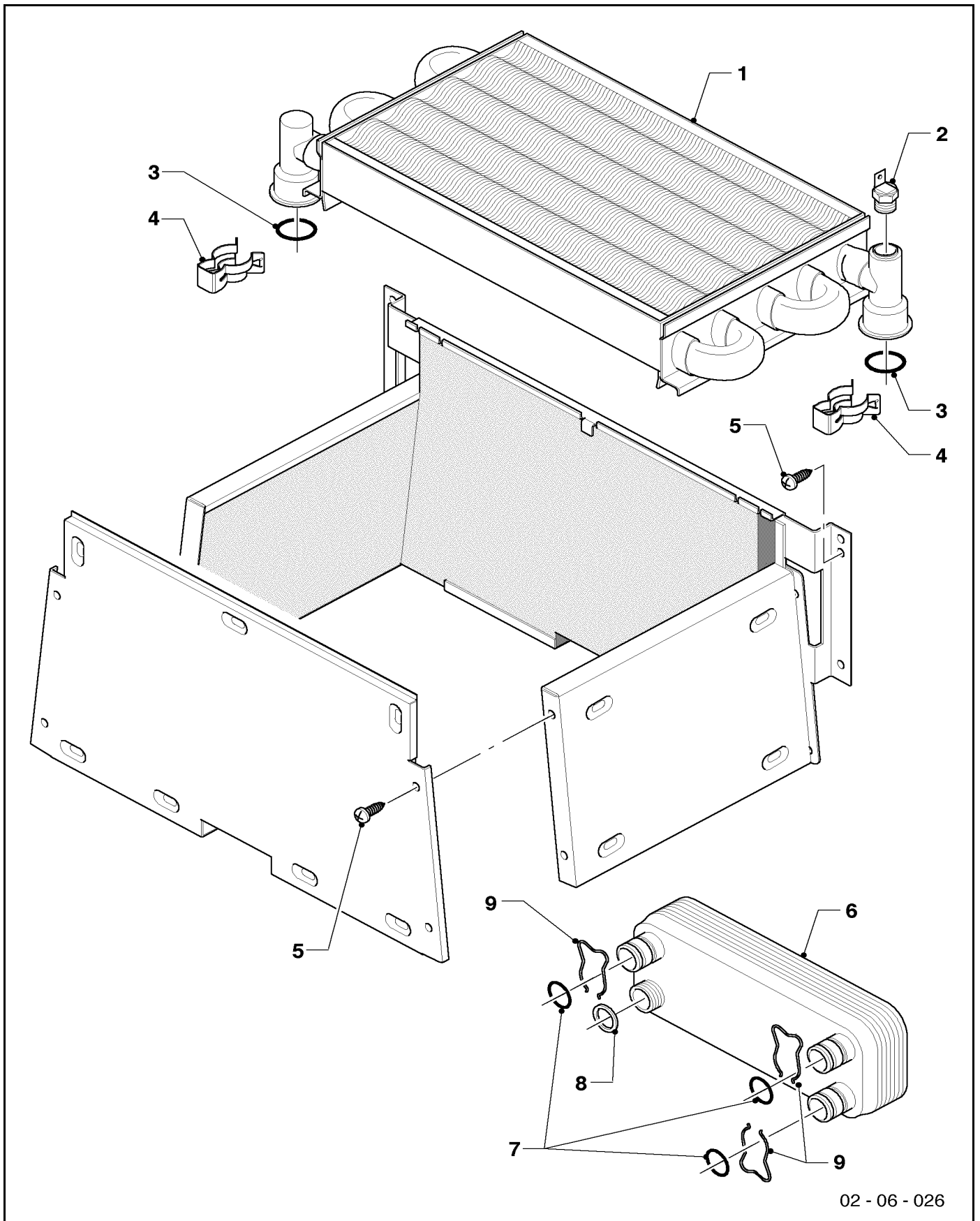


02 - 05 - 011.01

Main component 05 Gas section
 TURBOmax Pro/Plus VUW 242 -3, 282 -3, 242 -5, 282 -5 H/B (inc. ../2)
 THERMOcompact VU 152 -5, 202 -5, 242 -5, 282 -5 H/B (inc. ../2)

Pos.-No.	Article-No.	Part	with parts	TURBOmax						THERMOcompact										
				Pro 24 E H	Pro 28 E H	Plus 824 E H	Plus 824 E B	Plus 828 E H	Plus 828 E B	615 E H	620 E H	620 E B	624 E H	628 E H	628 E B					
		02-05-011																		
01	053462	gas section, cpl. H-Gas SIT	5,11,12,9	x	x	x		x				x	x		x	x				
	053473	gas section, cpl. H-Gas Honeywell	5,11,12,9	x	x	x		x				x	x		x	x				
	053463	gas section, cpl. PB-Gas SIT	5,11,12,10				x		x					x					x	
	053499	gas section, cpl. PB-Gas Honeywell	5,11,12,10				x		x					x					x	
02	090915	conn. cable, cpl. gas section SIT		x	x	x	x	x	x			x	x	x	x	x	x			
	090929	conn. cable, cpl. gas section Honeywell		x	x	x	x	x	x			x	x	x	x	x	x			
03	256097	cable tree, cpl.		x	x	x	x	x	x											
	256116	cable tree, cpl.										x	x	x	x	x	x			
04	123420	gas tube, cpl. supply for all types	5,6,7	x	x	x	x	x	x											
	123467	gas tube, cpl. supply for all VU types	5,6,7									x	x	x	x	x	x			
05	982319	packing ring 21,0x2,5 rubber		x	x	x	x	x	x			x	x	x	x	x	x			
06	981140	washer 17,0x24,0x2,0, set of 10		x	x	x	x	x	x			x	x	x	x	x	x			
07	219622	clip, set of 10		x	x	x	x	x	x			x	x	x	x	x	x			
08	123423	gas tube, cpl. Turbo	9,10	x	x	x	x	x	x			x	x	x	x	x	x			
09	981142	washer 13,0x18,3x1,5, set of 10		x	x	x	x	x	x			x	x	x	x	x	x			
10	049638	throttle jet 2x3,50					x													
	049639	throttle jet 2x4,00							x										x	
	049722	throttle jet 1x4,00												x						
11	147759	adapter piece (gas section)	5,9,10,12	x	x	x	x	x	x			x	x	x	x	x	x			
12	105901	oval head screw, Torx M4x10, set of 10		x	x	x	x	x	x			x	x	x	x	x	x			
13	980765	packing ring, red, large		x	x	x	x	x	x			x	x	x	x	x	x			
	201990	conversion set H to B (SIT+Honeywell)	not shown									x	x							
	201991	conversion set H to B (SIT+Honeywell)	not shown	x	x	x		x							x	x				
	222369	conversion set B to H (SIT+Honeywell)	not shown				x		x					x					x	

Main component 06 Heat exchanger
TURBOmax Pro/Plus VUW 242 -3, 282 -3, 242 -5, 282 -5 H/B (inc. ../2)
THERMOcompact VU 152 -5, 202 -5, 242 -5, 282 -5 H/B (inc. ../2)



02 - 06 - 026

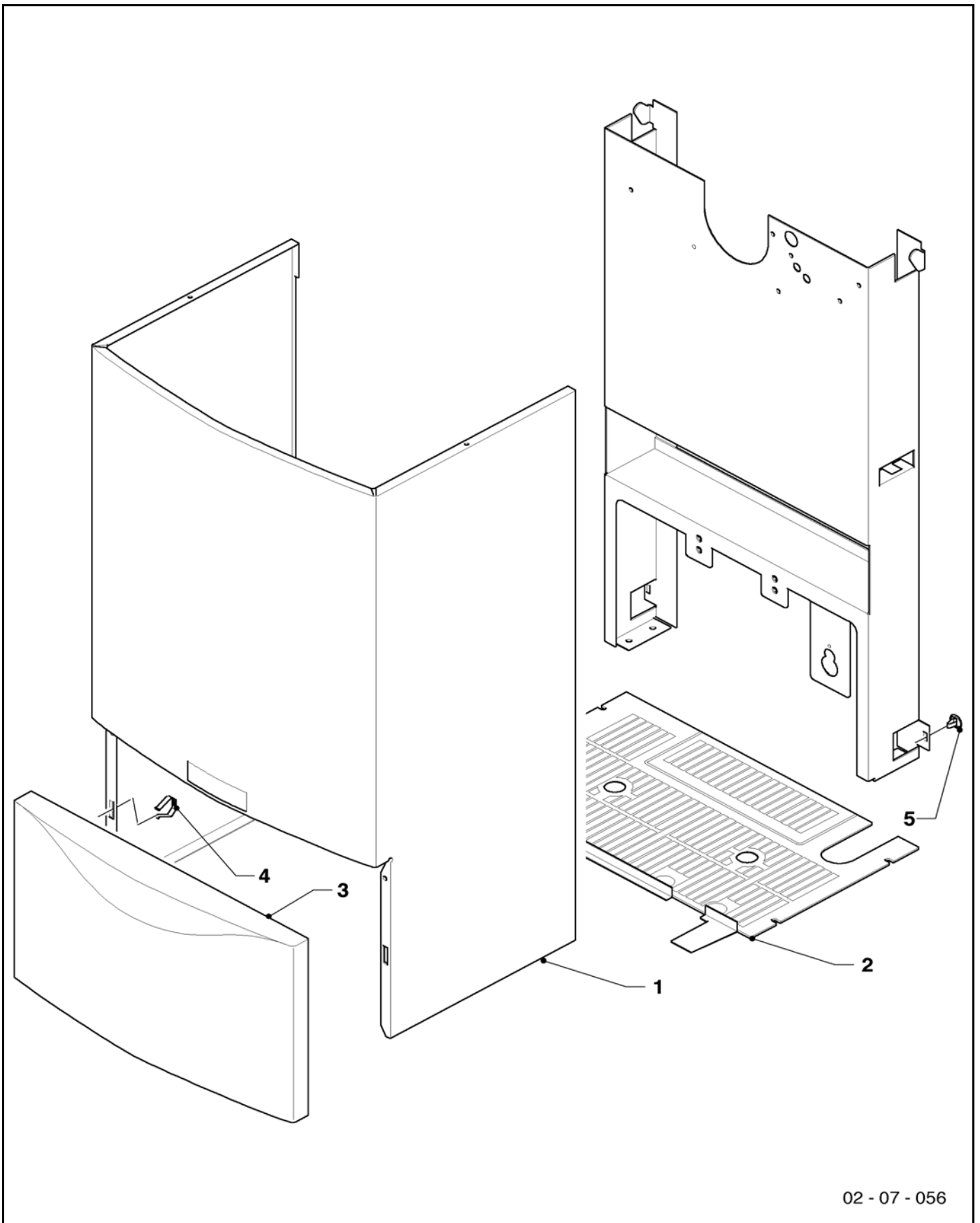
Main component 06 Heat exchanger

TURBOmax Pro/Plus VUW 242 -3, 282 -3, 242 -5, 282 -5 H/B (inc. ../2)

THERMOcompact VU 152 -5, 202 -5, 242 -5, 282 -5 H/B (inc. ../2)

Pos.- No.	Article-No.	Part	with parts	TURBOmax						THERMOcompact							
				Pro 24 E H	Pro 28 E H	Plus 824 E H	Plus 824 E B	Plus 828 E H	Plus 828 E B	615 E H	620 E H	620 E B	624 E H	628 E H	628 E B		
02-06-026																	
01	065098	heat exchanger cpl. 12-20kW	3,4									x	x	x			
	065085	heat exchanger, cpl. 24kW Euro Pro	3,4	x													
	065086	heat exchanger, cpl. 24kW Euro Plus	3,4			x	x								x		
	065115	heat exchanger, cpl. 28kW Euro Pro	3,4		x												
	065087	heat exchanger, cpl. 28kW Euro Plus	3,4					x	x						x	x	
02	252805	ntc-resistor, cpl.		x	x	x	x	x	x		x	x	x	x	x	x	
03	981151	packing ring 19,0x3,15, set of 10		x	x	x	x	x	x		x	x	x	x	x	x	
04	219621	clip primary heat ex., Set of 6		x	x	x	x	x	x		x	x	x	x	x	x	
05	235715	sheet-metal screw ST4,8x9,5		x	x	x	x	x	x		x	x	x	x	x	x	
06	Only for versions below ../2 e.g. VUW 242																
	065088	secondary heat exchanger, cpl. 12	7,8,9	x	x	x	x	x	x								
	Only for ../2 versions e.g. VUW 242/2																
	065107	secondary heat exchanger, cpl. 12	7,8,9	x	x	x	x	x	x								
07	981163	packing ring 15,0x2,0, set of 10		x	x	x	x	x	x								
08	981142	washer 13,0x18,3x1,5, set of 10		x	x	x	x	x	x								
09	219622	clip, set of 10		x	x	x	x	x	x								

Main component 07a Casing parts
TURBOmax Pro/Plus VUW 242 -3, 282 -3, 242 -5, 282 -5 H/B (inc. ../2)
THERMOcompact VU 152 -5, 202 -5, 242 -5, 282 -5 H/B (inc. ../2)



02 - 07 - 056

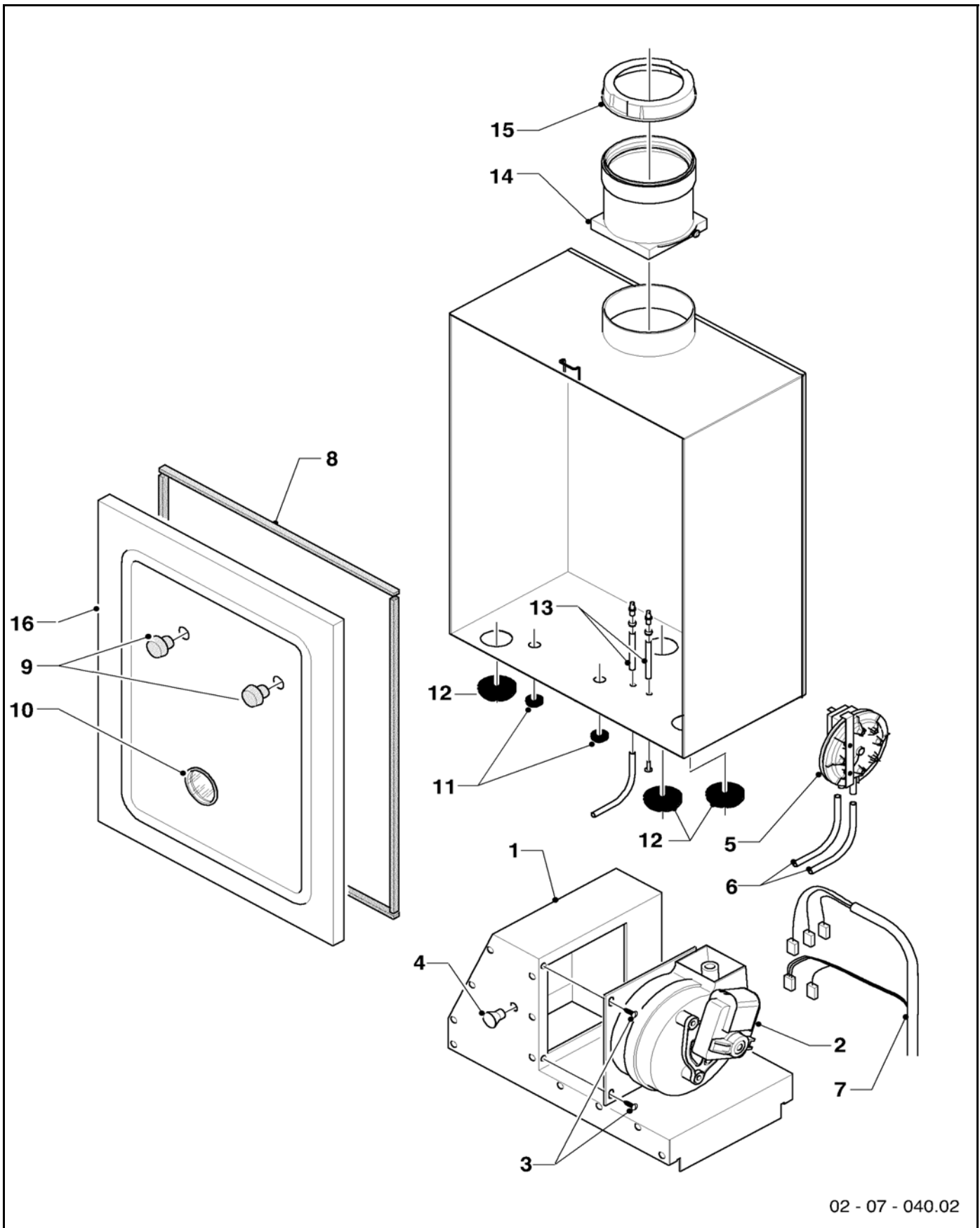
Main component 07a Casing parts

TURBOmax Pro/Plus VUW 242 -3, 282 -3, 242 -5, 282 -5 H/B (inc. ../2)

THERMOcompact VU 152 -5, 202 -5, 242 -5, 282 -5 H/B (inc. ../2)

Pos.-No.	Article-No.	Part	with parts	TURBOmax						THERMOcompact						
				Pro 24 E H	Pro 28 E H	Plus 824 E H	Plus 824 E B	Plus 828 E H	Plus 828 E B	615 E H	620 E H	620 E B	624 E H	628 E H	628 E B	
		02-07-056														
01	067314	cowling, cpl.	4.5	x	x	x	x	x	x		x	x	x	x	x	x
02	079533	cover plate				x	x	x	x		x	x	x	x	x	x
03	209714	control box cover				x	x	x	x		x	x	x	x	x	x
04	219620	clip, set of 10		x	x	x	x	x	x		x	x	x	x	x	x
05	219619	clip, set of 10		x	x	x	x	x	x		x	x	x	x	x	x

Main component 07b Air pressure chamber, fan
TURBOmax Pro/Plus VUW 242 -3, 282 -3, 242 -5, 282 -5 H/B (inc. ../2)
THERMOcompact VU 152 -5, 202 -5, 242 -5, 282 -5 H/B (inc. ../2)

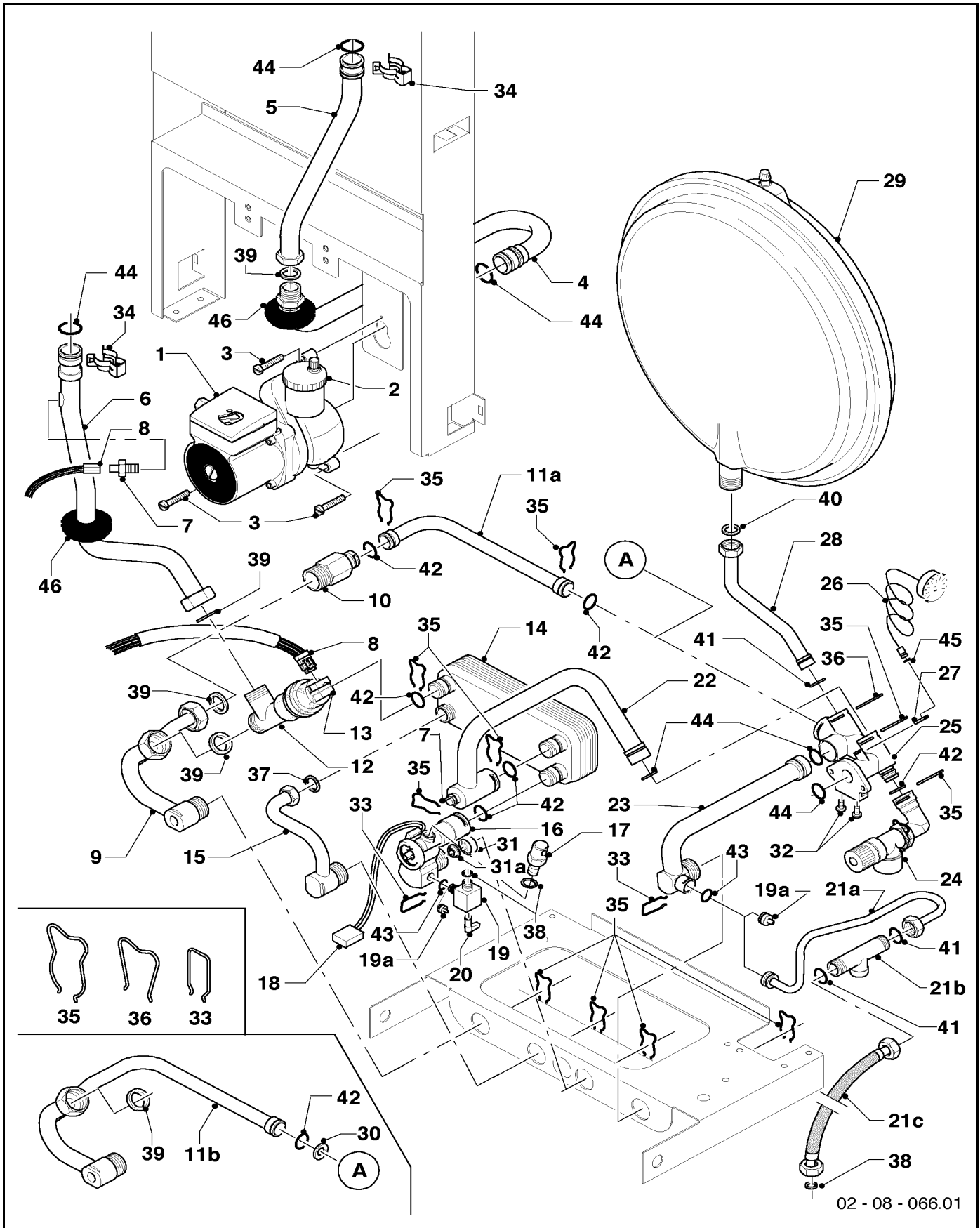


02 - 07 - 040.02

Main component 07b Air pressure chamber, fan
 TURBOmax Pro/Plus VUW 242 -3, 282 -3, 242 -5, 282 -5 H/B (inc. ../2)
 THERMOcompact VU 152 -5, 202 -5, 242 -5, 282 -5 H/B (inc. ../2)

Pos.-No.	Article-No.	Part	with parts	TURBOmax						THERMOcompact									
				Pro 24 E H	Pro 28 E H	Plus 824 E H	Plus 824 E B	Plus 828 E H	Plus 828 E B	615 E H	620 E H	620 E B	624 E H	628 E H	628 E B				
		02-07-040																	
01	076507	flue collector cap, cpl. 12-20kW	4							x	x	x							
	077793	flue collector cap, cpl. 24kW	4	x		x	x						x						
	077794	flue collector cap, cpl. 28kW	4		x			x	x								x	x	
02	190215	fan, cpl. Fime (incl. sheet metal)	3	x	x	x	x	x	x	x	x	x	x	x	x	x	x	x	
03	235715	sheet-metal screw ST4,8x9,5		x	x	x	x	x	x	x	x	x	x	x	x	x	x	x	
04	210981	packing		x	x	x	x	x	x	x	x	x	x	x	x	x	x	x	
05	050577	fan proving switch cpl. Huba	6	x	x	x	x	x	x	x	x	x	x	x	x	x	x	x	
06	084139	flexible tube, cpl.		x	x	x	x	x	x	x	x	x	x	x	x	x	x	x	
07	256097	cable tree cpl.		x	x	x	x	x	x										
	256116	cable tree cpl.								x	x	x	x	x	x	x	x	x	
08	981048	packing ring set for cover		x	x	x	x	x	x	x	x	x	x	x	x	x	x	x	
09	139472	plug, set of 2		x	x	x	x	x	x	x	x	x	x	x	x	x	x	x	
10	161255	inspection glas, cpl.		x	x	x	x	x	x	x	x	x	x	x	x	x	x	x	
11	980766	packing ring, red, small		x	x	x	x	x	x	x	x	x	x	x	x	x	x	x	
12	980765	packing ring, red, large		x	x	x	x	x	x	x	x	x	x	x	x	x	x	x	
13	133627	nipple, cpl.		x	x	x	x	x	x	x	x	x	x	x	x	x	x	x	
14	083394	sleeve, cpl. with reducing ring (15kW)								x									
	083393	sleeve, cpl. with reducing ring (20kW)										x	x						
	083384	sleeve, cpl.		x	x	x	x	x	x							x	x	x	
15	194166	reducing ring (F1+F2)		x	x	x	x	x	x							x	x	x	
16	078910	cover underpressure chamber	8,9,10	x	x	x	x	x	x	x	x	x	x	x	x	x	x	x	

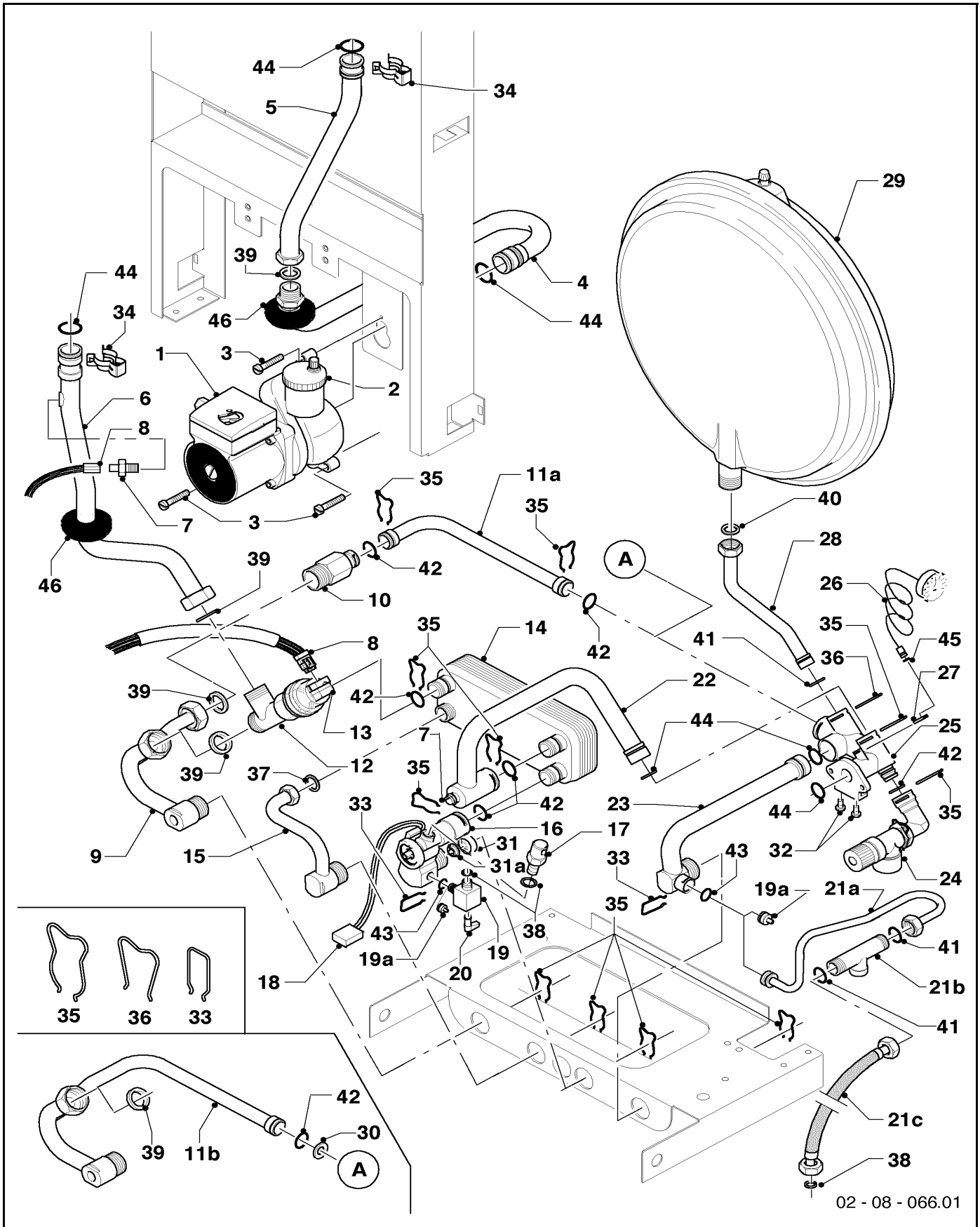
Main component 08a Hydraulic parts
 TURBOmax Pro/Plus VUW 242 -3, 282 -3, 242 -5, 282 -5 H/B (inc. ../2)



Main component 08a Hydraulic parts
TURBOMax Pro/Plus VUW 242 -3, 282 -3, 242 -5, 282 -5 H/B (inc. ../2)

Pos.- No.	Article-No.	Part	with parts	TURBOMax																		
				Pro 24 E H	Pro 28 E H	Plus 824 E H	Plus 824 E B	Plus 828 E H	Plus 828 E B													
		02-08-066																				
01	160928	pump, cpl. vp 5	3,44	x	x	x	x	x	x													
02	061707	de-aerator		x	x	x	x	x	x													
03	118951	oval head screw M 6x28,5		x	x	x	x	x	x													
04	019383	connection tube, cpl. pump-interface	39,44,46	x	x	x	x	x	x													
05	019379	connection tube, cpl. interface-heat exchanger	34,39,44	x		x	x															
	019381	connection tube, cpl. interface-heat exchanger	34,39,44		x				x	x												
06	Only for versions below ../2 e.g. VUW 242																					
	019385	connection tube, cpl.	34,39,44,46	x		x	x															
	019387	connection tube, cpl.	34,39,44,46		x				x	x												
	Only for ../2 versions e.g. VUW 242/2																					
	022777	connection tube, cpl.	34,39,44,46	x		x	x															
	022778	connection tube, cpl.	34,39,44,46		x				x	x												
07	252805	ntc-resistor, cpl.		x	x	x	x	x	x													
08	256097	cable tree, cpl.		x	x	x	x	x	x													
09	Only for versions below ../2 e.g. VUW 242																					
	019391	connection tube, cpl.	35,39			x	x	x	x													
	Only for ../2 versions e.g. VUW 242/2																					
	022784	connection tube, cpl.	35,39			x	x	x	x													
10	150240	automatic bypass valve, cpl.	35,39,42			x	x	x	x													
11a	019390	connection tube, cpl.	35,42			x	x	x	x													
11b	Only for versions below ../2 e.g. VUW 242																					
	019389	connection tube, cpl. bypass tube	30,35,39,42	x	x																	
	Only for ../2 versions e.g. VUW 242/2																					
	022783	connection tube, cpl. bypass tube	30,35,39,42	x	x																	
12	252457	diverter valve, cpl.	35,39,42	x	x	x	x	x	x													
13	140429	motor, cpl. diverter valve		x	x	x	x	x	x													
14	Only for versions below ../2 e.g. VUW 242																					
	065088	secondary heat exchanger, cpl. 12	35,37,42	x	x	x	x	x	x													
	Only for ../2 versions e.g. VUW 242/2																					
	065107	secondary heat exchanger, cpl. 12	35,37,42	x	x	x	x	x	x													
15	Only for versions below ../2 e.g. VUW 242																					
	081162	connection tube W-W, cpl.	35,37	x	x	x	x	x	x													
	Only for ../2 versions e.g. VUW 242/2																					
	022776	connection tube w-w, cpl.	35,37	x	x	x	x	x	x													
16	194819	impeller, cpl. aqua sensor	33,35,42,43	x	x	x	x	x	x													
17	014692	pressure relief valve	38			x	x	x	x													
18	711933	sensor cpl. hall-sensor		x	x	x	x	x	x													
19	014675	valve, cpl. filling without non-return valve	20,33,38,43			x	x	x	x													
19a	139471	plug	43	x	x	x	x	x	x													
20	125151	handle fill-in valve		x	x	x	x	x	x													
21a	019376	connection tube, cpl. fill-in device GB	41.43			x	x	x	x													
21b	014676	valve, cpl. doublecheck	41			x	x	x	x													
21c	095610	hose, cpl.	38.41			x	x	x	x													
22	Only for versions below ../2 e.g. VUW 242																					
	019388	connection tube, cpl.	35,42,44	x	x	x	x	x	x													
	Only for ../2 versions e.g. VUW 242/2																					
	022782	connection tube, cpl.	35,42,44	x	x	x	x	x	x													
23	019377	connection tube, cpl.	33,35,43,44	x	x	x	x	x	x													
24	190732	safety valve, cpl.	35,42	x	x	x	x	x	x													
25	019392	connection piece, cpl. pump	3,27,30,32,35,36, 41,42,44,45	x	x	x	x	x	x													
26	101271	manometer	27,45	x	x	x	x	x	x													
27	085751	support		x	x	x	x	x	x													
28	019372	connection tube, cpl.	36,40,41	x	x	x	x	x	x													
29	181057	expansion vessel cpl. 10 ltr.		x	x	x	x	x	x													

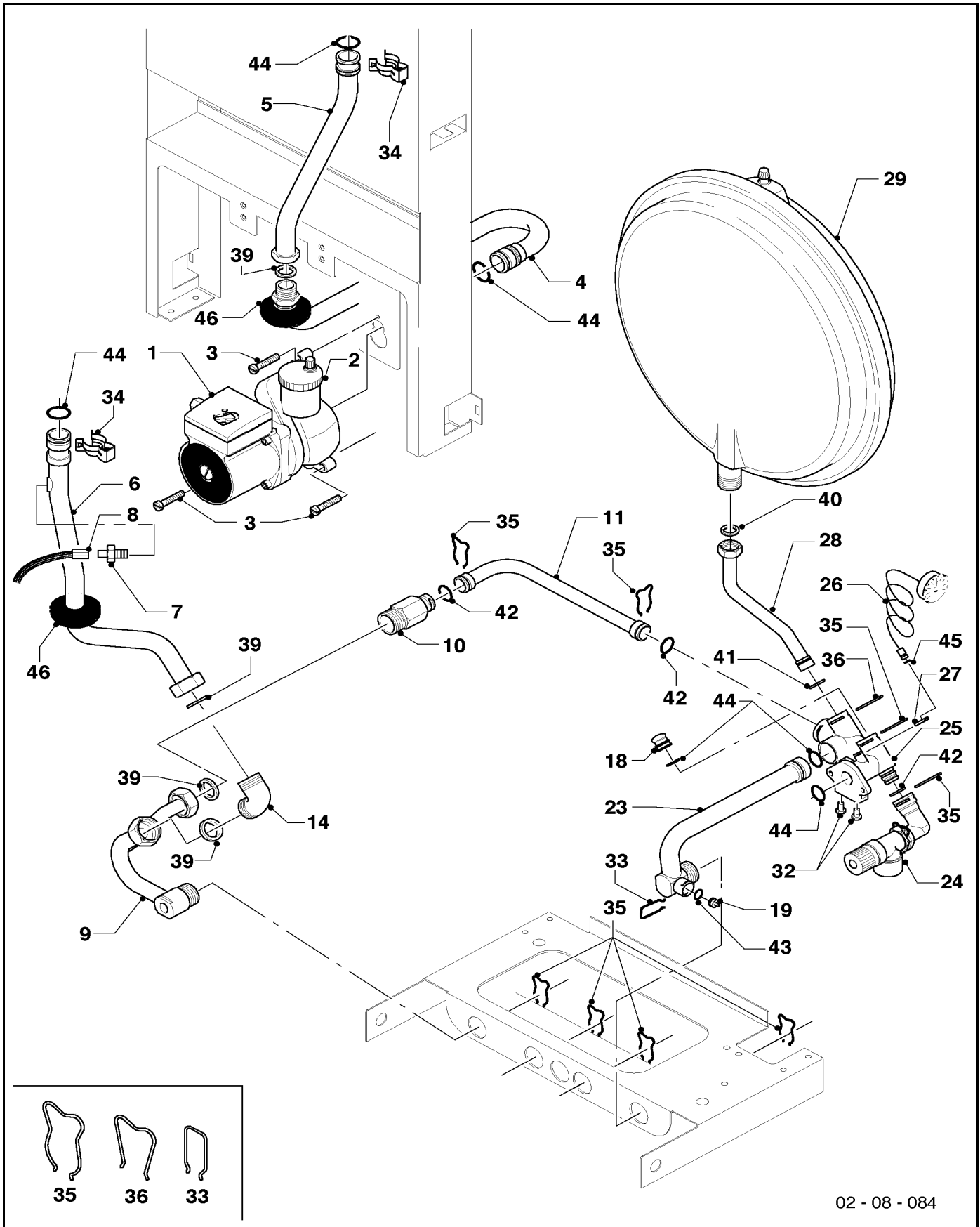
Main component 08a Hydraulic parts
 TURBOmax Pro/Plus VUW 242 -3, 282 -3, 242 -5, 282 -5 H/B (inc. ../2)



Main component 08a Hydraulic parts
TURBOMax Pro/Plus VUW 242 -3, 282 -3, 242 -5, 282 -5 H/B (inc. ../2)

Pos.- No.	Article-No.	Part	with parts	TURBOMax																
				Pro 24 E H	Pro 28 E H	Plus 824 E H	Plus 824 E B	Plus 828 E H	Plus 828 E B											
		02-08-066																		
30	208495	orifice 19.1x4.5x1	35,39,42	x	x															
31	074514	water filter, cpl.		x	x	x	x	x	x											
31a	012975	water quantity limiter, cpl. 24kW		x		x	x													
	012976	water quantity limiter, cpl. 28kW			x			x	x											
32	118937	oval head screw M5x12		x	x	x	x	x	x											
33	154150	bow		x	x	x	x	x	x											
34	219621	clip primary heat ex., set of 6		x	x	x	x	x	x											
35	219622	clip, set of 10		x	x	x	x	x	x											
36	219623	clip, set of 10		x	x	x	x	x	x											
37	981142	washer 13,0x18,3x1,5, set of 10		x	x	x	x	x	x											
38	981146	washer 5,5x11,0x1,5, set of 10		x	x	x	x	x	x											
39	981140	washer 17,0x24,0x2,0, set of 10		x	x	x	x	x	x											
40	981149	washer 10,0x14,9x1,5, set of 10		x	x	x	x	x	x											
41	981165	packing ring 12,0x2,0, set of 10		x	x	x	x	x	x											
42	981163	packing ring 15,0x2,0, set of 10		x	x	x	x	x	x											
43	980305	packing ring 9,0x2,0		x	x	x	x	x	x											
44	981151	packing ring 19,0x3,15, set of 10		x	x	x	x	x	x											
45	981155	packing ring 4,0x1,4, set of 10		x	x	x	x	x	x											
46	980765	packing ring, red, large		x	x	x	x	x	x											

Main component 08a Hydraulic parts
 THERMOcompact VU 152 -5, 202 -5, 242 -5, 282 -5 H/B (inc. ../2)

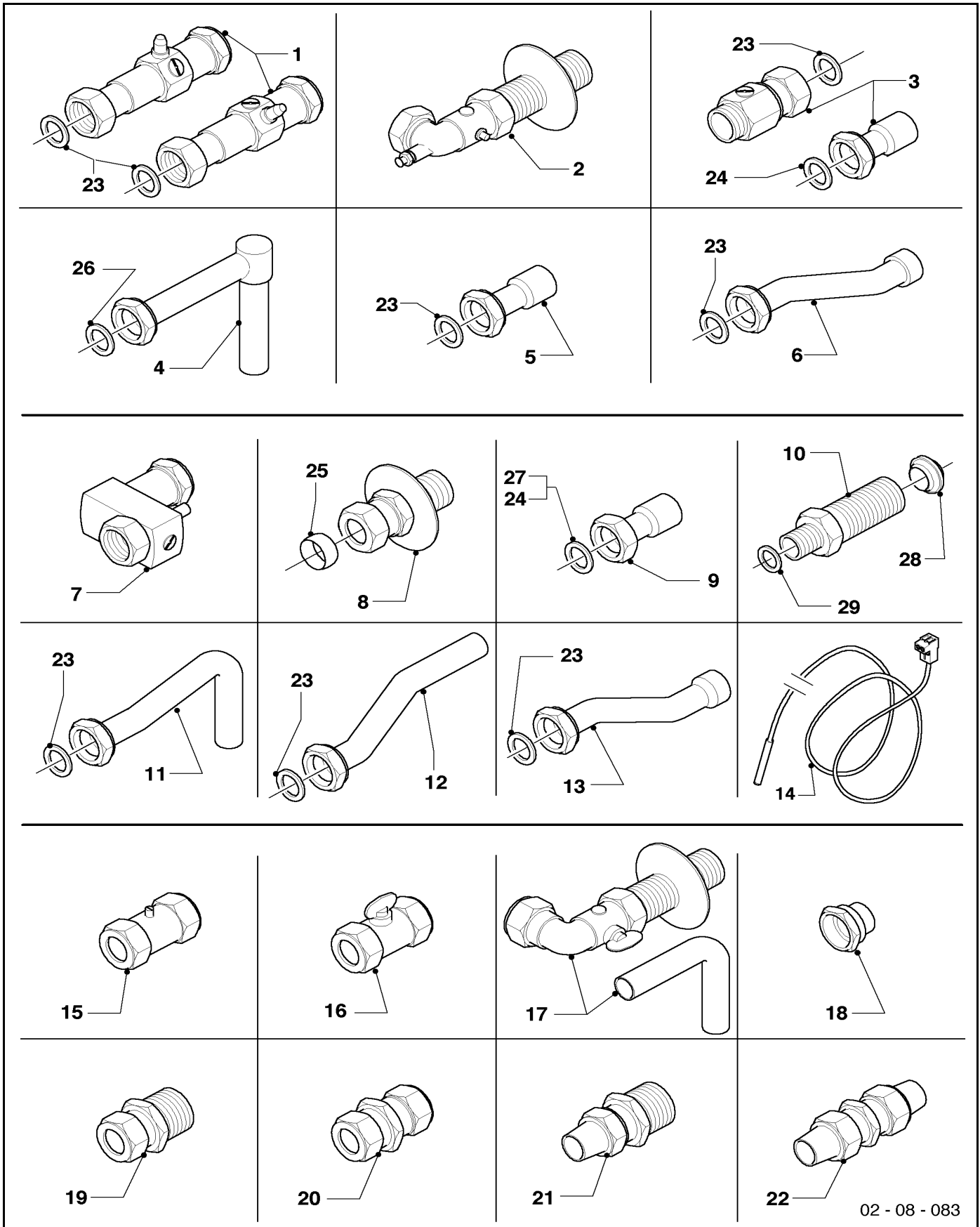


02 - 08 - 084

Main component 08a Hydraulic parts
THERMOcompact VU 152 -5, 202 -5, 242 -5, 282 -5 H/B (inc. ../2)

Pos.-No.	Article-No.	Part	with parts	THERMOcompact																	
				615 E H	620 E H	620 E B	624 E H	628 E H	628 E B												
		02-08-080																			
01	160928	pump, cpl. vp 5	3,44	x	x	x	x	x	x												
02	061707	de-aerator		x	x	x	x	x	x												
03	118951	oval head screw M 6x28,5		x	x	x	x	x	x												
04	019383	connection tube, cpl. pump-interface	39,44,46	x	x	x	x	x	x												
05	019379	connection tube, cpl. interface-heat exchanger	34,39,44	x	x	x	x														
	019381	connection tube, cpl. interface-heat exchanger	34,39,44						x	x											
06	Only for versions below ../2 e.g. VUW 242																				
	019385	connection tube, cpl.	34,39,44,46	x	x	x	x														
	019387	connection tube, cpl.	34,39,44,46						x	x											
	Only for ../2 versions e.g. VUW 242/2																				
	022777	connection tube, cpl.	34,39,44,46	x	x	x	x														
	022778	connection tube, cpl.	34,39,44,46						x	x											
07	252805	ntc-resistor, cpl.		x	x	x	x	x	x												
09	Only for versions below ../2 e.g. VUW 242																				
	019391	connection tube, cpl.	35,39	x	x	x	x	x	x												
	Only for ../2 versions e.g. VUW 242/2																				
	022784	connection tube, cpl.	35,39	x	x	x	x	x	x												
10	150240	automatic bypass valve, cpl.	35,39,42	x	x	x	x	x	x												
11	019390	connection tube, cpl.	35,42	x	x	x	x	x	x												
14	084984	connection piece	39	x	x	x	x	x	x												
18	109926	cap, cpl.	44	x	x	x	x	x	x												
19	139471	plug	43	x	x	x	x	x	x												
23	019377	connection tube, cpl.	33,35,43,44	x	x	x	x	x	x												
24	190732	safety valve, cpl.	35,42	x	x	x	x	x	x												
25	019392	connection piece, cpl. pump	3,27,30,32,35,36, 41,42,44,45	x	x	x	x	x	x												
26	101271	manometer	27,45	x	x	x	x	x	x												
27	085751	support		x	x	x	x	x	x												
28	019372	connection tube, cpl.	36,40,41	x	x	x	x	x	x												
29	181057	expansion vessel cpl. 10 ltr.		x	x	x	x	x	x												
32	118937	oval head screw M5x12		x	x	x	x	x	x												
33	154150	bow		x	x	x	x	x	x												
34	219621	clip primary heat ex., set of 6		x	x	x	x	x	x												
35	219622	clip, set of 10		x	x	x	x	x	x												
36	219623	clip, set of 10		x	x	x	x	x	x												
38	981146	washer 5,5x11,0x1,5, set of 10		x	x	x	x	x	x												
39	981140	washer 17,0x24,0x2,0, set of 10		x	x	x	x	x	x												
40	981149	washer 10,0x14,9x1,5, set of 10		x	x	x	x	x	x												
41	981165	packing ring 12,0x2,0, set of 10		x	x	x	x	x	x												
42	981163	packing ring 15,0x2,0, set of 10		x	x	x	x	x	x												
43	980305	packing ring 9,0x2,0		x	x	x	x	x	x												
44	981151	packing ring 19,0x3,15, set of 10		x	x	x	x	x	x												
45	981155	packing ring 4,0x1,4, set of 10		x	x	x	x	x	x												
46	980765	packing ring, red, large		x	x	x	x	x	x												

Main component 08b Connecting accessories
TURBOmax Pro/Plus VUW 242 -3, 282 -3, 242 -5, 282 -5 H/B (inc. ../2)
THERMOcompact VU 152 -5, 202 -5, 242 -5, 282 -5 H/B (inc. ../2)

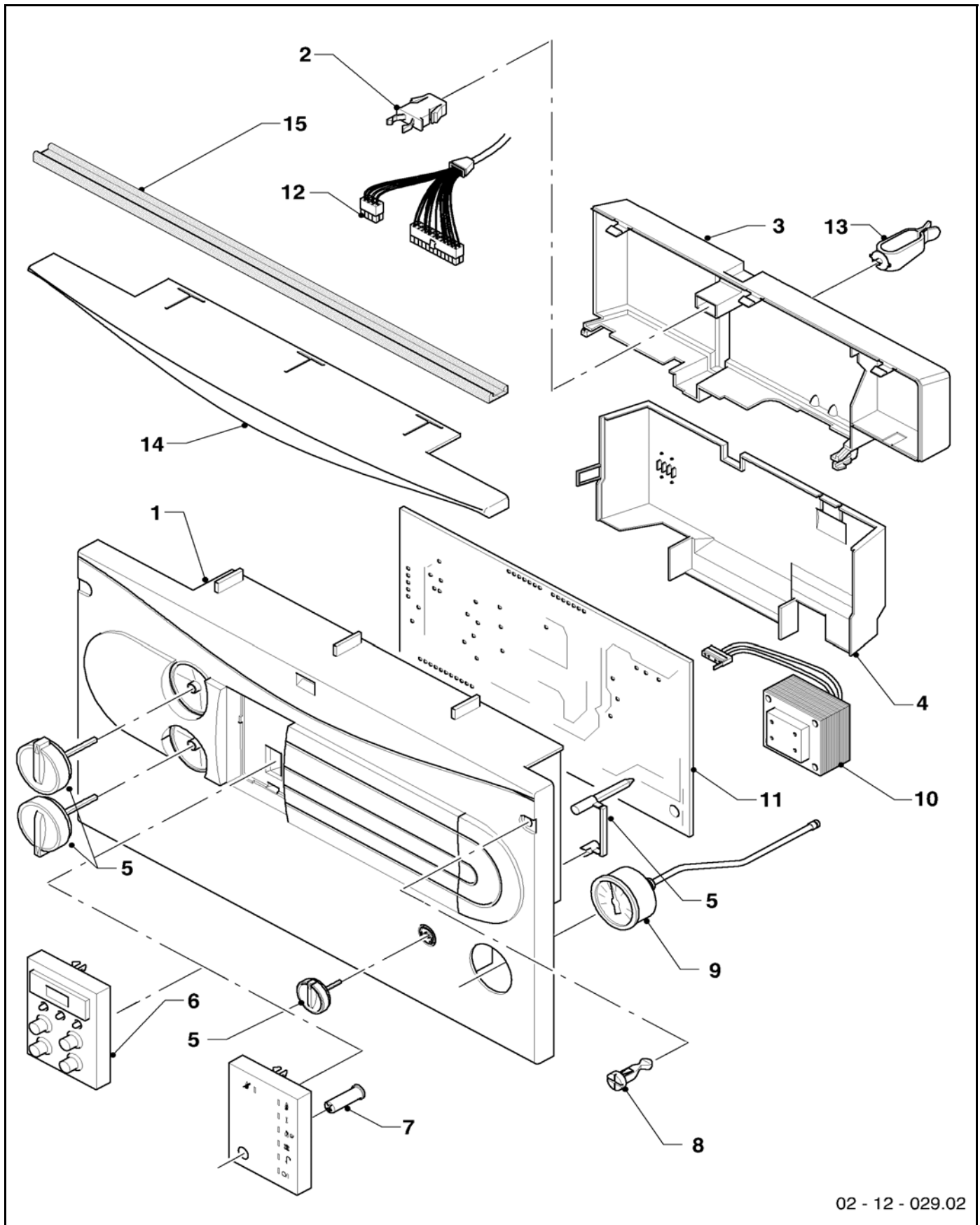


02 - 08 - 083

Main component 08b Connecting accessories
 TURBOmax Pro/Plus VUW 242 -3, 282 -3, 242 -5, 282 -5 H/B (inc. ../2)
 THERMOcompact VU 152 -5, 202 -5, 242 -5, 282 -5 H/B (inc. ../2)

Pos.-No.	Article-No.	Part	with parts	Notes
		02-08-083		
		accessories for heating system		
01	135737	service cock, cpl.	23	3/4" x 22
02	-	not for GB		
03	-	not for GB		
04	-	not for GB		
05	-	not for GB		
06	-	not for GB		
		accessories for warm water system		
07	014714	valve, cpl.		3/4" x 15
08	-	not for GB		
09	-	not for GB		
10	-	not for GB		
11	081447	connection tube, cpl. GB	23	
12	-	not for GB		
13	-	not for GB		
14	-	not for GB		
		accessories for gas system		
15	082782	gas shut-off valve, cpl.		15 x 15
16	-	not for GB		
17	-	not for GB		
18	-	not for GB		
19	-	not for GB		
20	-	not for GB		
21	-	not for GB		
22	-	not for GB		
		seals		
23	981511	packing ring		17,0 x 24,0 x 1,5
24	-	not for GB		
25	-	not for GB		
26	-	not for GB		
27	-	not for GB		
28	-	not for GB		
29	-	not for GB		

Main component 12 Switch box
 TURBOmax Pro/Plus VUW 242 -3, 282 -3, 242 -5, 282 -5 H/B (inc. ../2)
 THERMOcompact VU 152 -5, 202 -5, 242 -5, 282 -5 H/B (inc. ../2)



02 - 12 - 029.02

