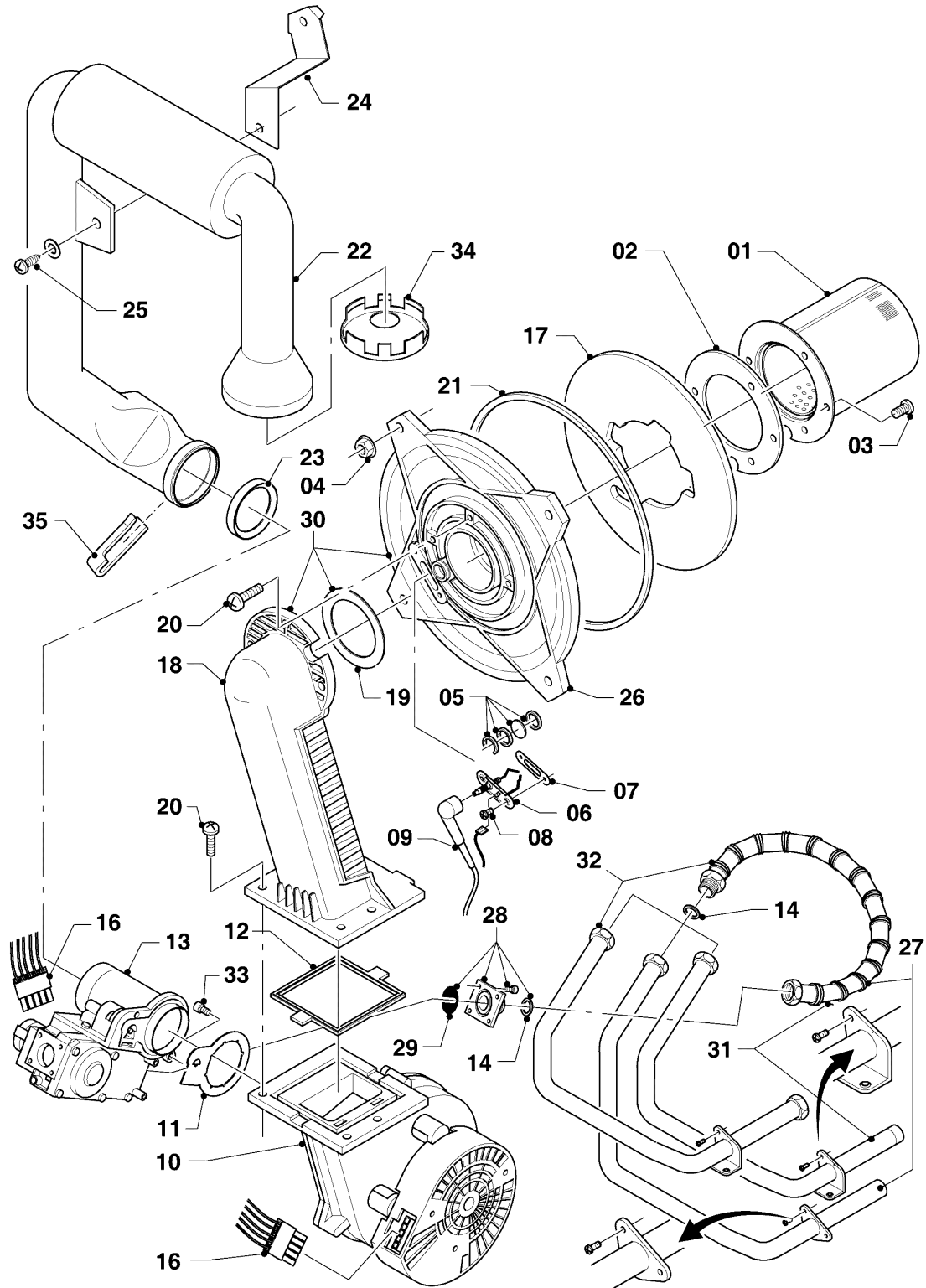


# Wall-hung boilers (condensing system) VCW, VUW

VUW OE 236/3-5

04 - Burner



02-04-038.07

## Wall-hung boilers (condensing system) VCW, VUW

VUW OE 236/3-5

04 - Burner

Поз.	Артикульный номер	Описание	Указание, замечание
00	0020042518	Conversion set H/P (only documents)	E -> P
00	0020042519	Conversion set P/H (only documents)	P -> E
01	049324	Burner	VUW OE 236/3-5, with parts 02, 03
02	981103	Gasket burner	
03	105900	Screw, (x10)	
04	0020026537	Nut, M6, (x5)	
05	161245	Inspection glass	
06	090709	Electrode	with parts 07, 08
07	981330	Gasket electrode	
08	0010027341	Screw, (x10) ISO 7045	
09	193590	Ignition cable	
09	0020075412	Plug (ignition)	not shown
10	193593	Fan	with parts 11, 12
11	981104	Gasket	
12	193594	Gasket	
13	053470	Gas section	VUW OE 236/3-5, with parts 11, 14, 29
16	193586	Harness	VUW OE 236/3-5
17	193595	Insulation	with parts 02, 03
18	-	-	not available as spare part, see pict.-no. 30
19	981333	Seal heatexchanger door / mixing arm	
20	193597	Screw, (x10)	
21	0020025929	Gasket kit	with parts 04, 07, 14
22	193599	Air inlet duct	VUW OE 236/3-5, with part 23
23	981111	Gasket	
24	103405	Support	
25	0020133833	Screw, (x10)	
26	-	-	not available as spare part, see pict.-no. 30
27	-	-	not necessary
28	0020010868	Adaptor piece (gas valve)	
29	0020133834	O-ring, (x10)	

## Wall-hung boilers (condensing system) VCW, VUW

VUW OE 236/3-5

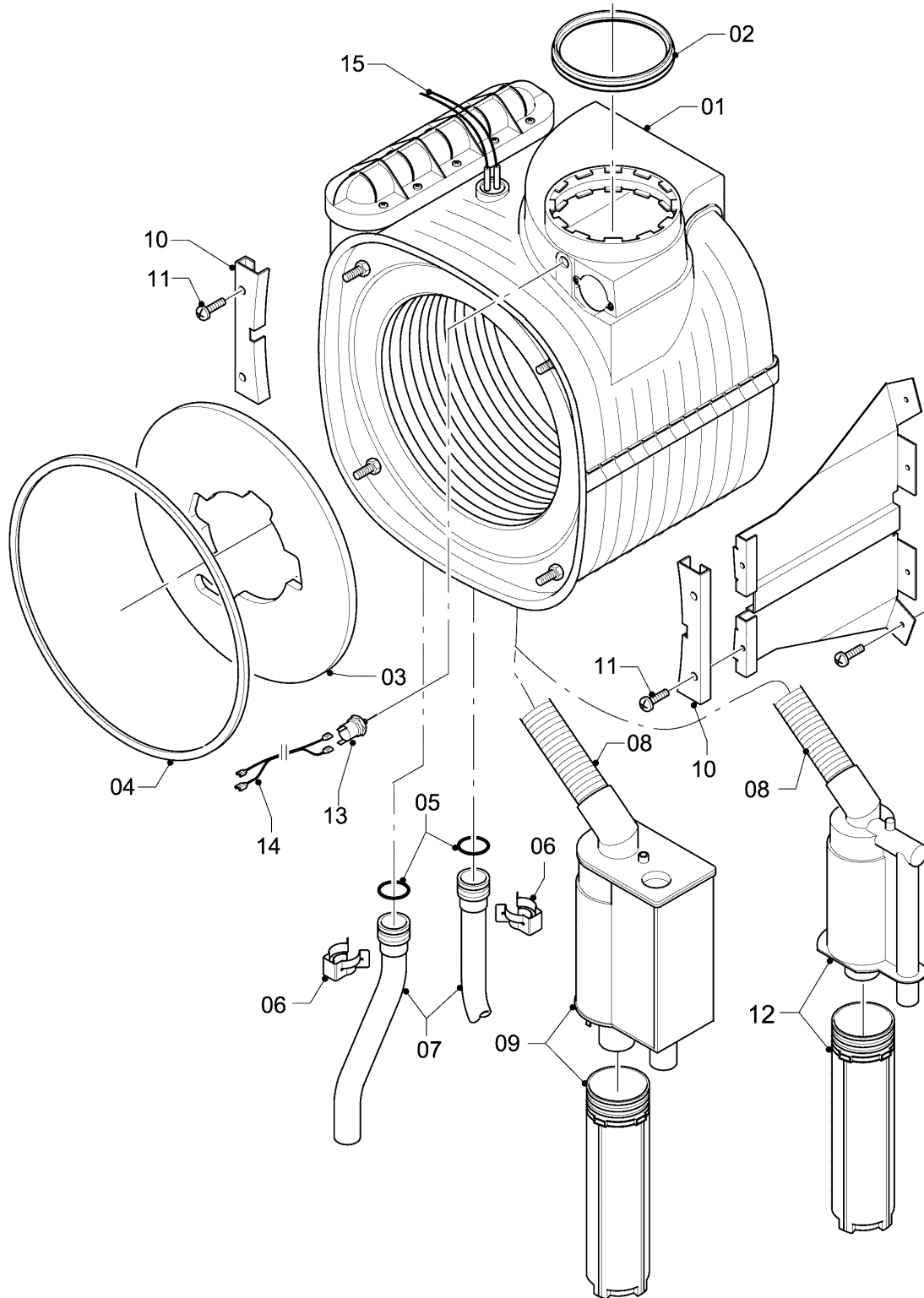
04 - Burner

Поз.	Артикульный номер	Описание	Указание, замечание
30	0020010867	Burner flange, with elbow	with parts 02, 03, 04, 05, 07, 08, 12, 14, 17, 18, 19, 20, 21, 26
31	0020046863	Gas pipe	with parts 14, 28
32	-	-	not necessary
33	509685	Screw, (x10)	
34	-	-	not necessary for these appliances
35	-	-	not necessary for these appliances

# Wall-hung boilers (condensing system) VCW, VUW

VUW OE 236/3-5

06 - Heat exchanger



02-06-046.04

## Wall-hung boilers (condensing system) VCW, VUW

VUW OE 236/3-5

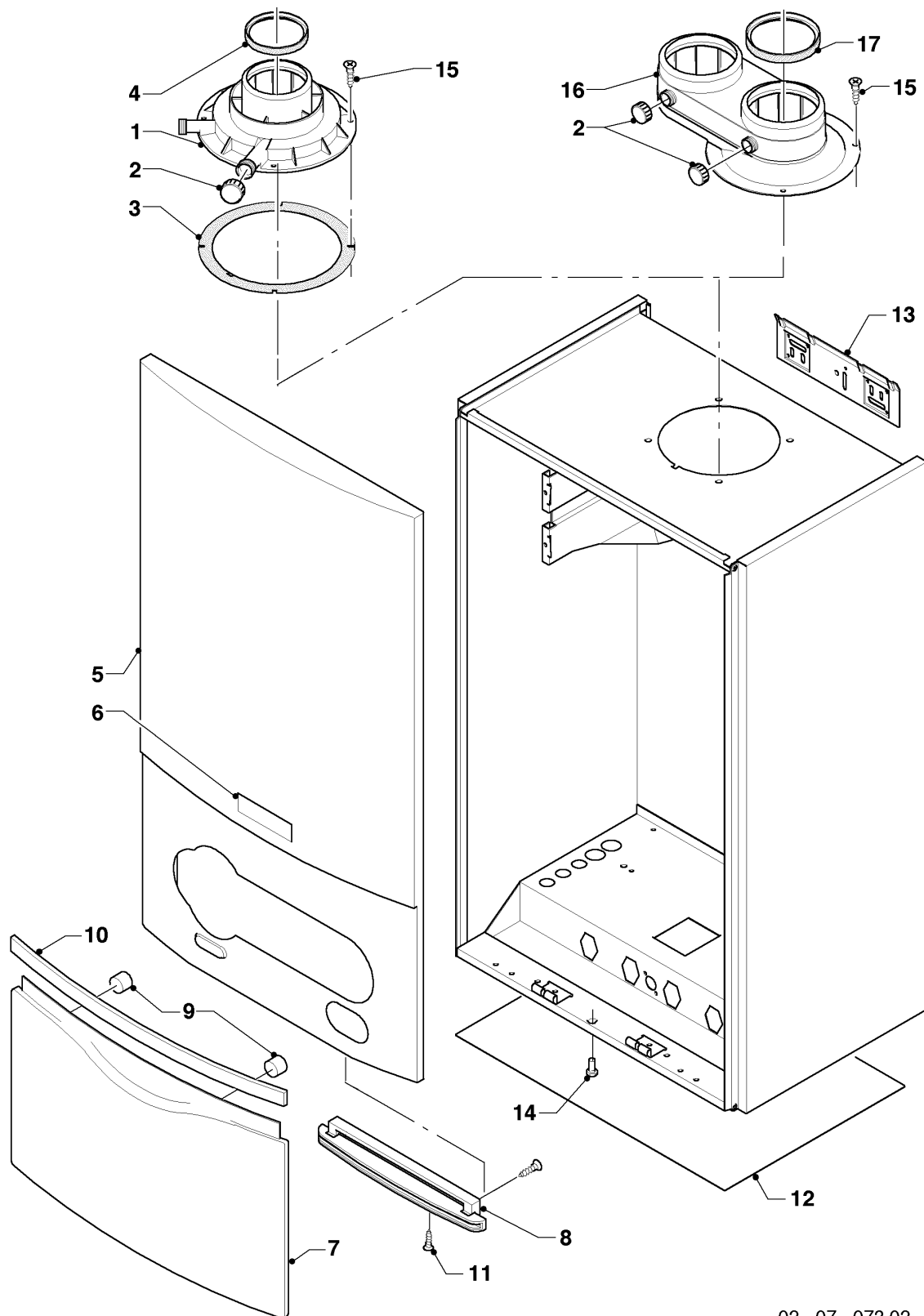
06 - Heat exchanger

Поз.	Артикульный номер	Описание	Указание, замечание
01	0020135129	Heat exchanger	VUW OE 236/3-5, with parts 02, 04-06
01	0020093190	Insulation, 16 mm with nut and washer	VUW OE 236/3-5, for heat exchanger, not shown
02	981227	Lip seal, DN 80 EPDM	
03	193595	Insulation	
04	0020025929	Gasket kit	
05	103415	O-ring, (x10)	
06	103417	Clip, (x10)	
07	-	-	see main component 08a
08	-	-	not available as spare part, see pict.-no. 12
09	-	-	not necessary
10	180989	Support, (x2)	with part 11
11	178968	Screw, (x10)	
12	180984	Condensate trap	with part 08
12	0020077919	O-ring, (x5)	not shown, condensate trap lower
13	-	-	not necessary
14	-	-	not necessary
15	0020135111	Cable	

# Wall-hung boilers (condensing system) VCW, VUW

VUW OE 236/3-5

07 - Casing parts



02 - 07 - 073.02

## Wall-hung boilers (condensing system) VCW, VUW

VUW OE 236/3-5

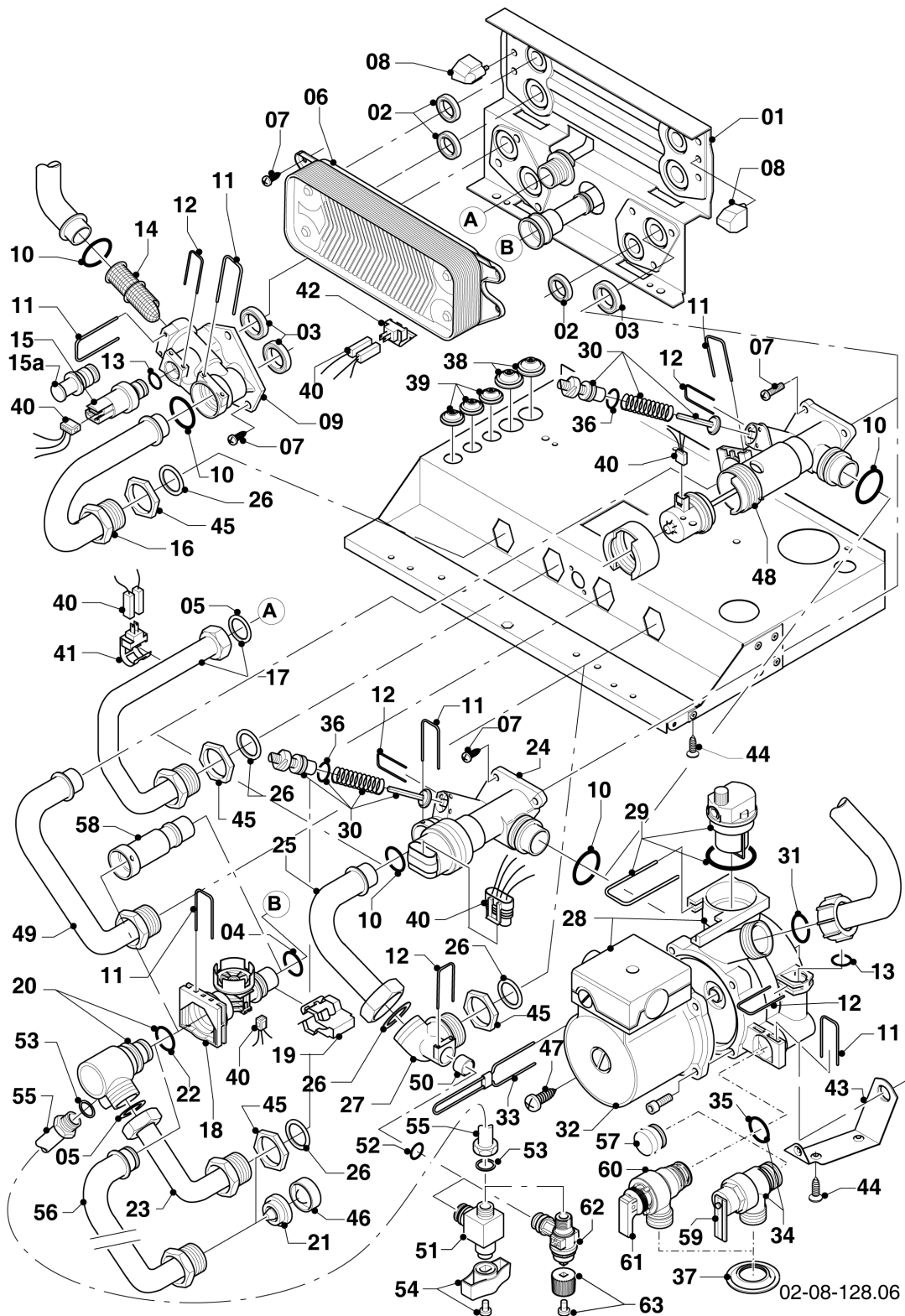
07 - Casing parts

Поз.	Артикульный номер	Описание	Указание, замечание
01	180932	Flue adapter, 60/100 mm	with parts 02, 03, 04
02	147392	Cap, (x5)	
03	981232	Cellular rubber seal	
04	981233	Lip seal, DN 60 EPDM	
05	180935	Covering	VUW OE 236/3-5, with parts 06-11
06	118096	Badge, kit	
07	180940	Cover	with parts 09-11
08	180944	Hinge	with part 11
09	-	-	180941 no longer available, replacement for pict. no. 10
10	180942	Handle (white)	with part 09
11	193538	Screw, (x10)	
12	180988	Cover	
13	180987	Support	
13	0020130588	Fastening kit (screws + plugs)	not shown
14	105839	Screw, (x10)	
15	500046	Screw	
16	-	-	not necessary
17	-	-	not necessary

# Wall-hung boilers (condensing system) VCW, VUW

VUW OE 236/3-5

08 - Connection parts (Hydroblock)





## Wall-hung boilers (condensing system) VCW, VUW

VUW OE 236/3-5

08 - Connection parts (Hydroblock)

Поз.	Артикульный номер	Описание	Указание, замечание
00	0010032799	Plug	not shown for pos. 28, 0010030632
01	178965	Support	with parts 02-05, 07, 08, 10, 19, 22, 26, 44
02	178969	Gasket, type C, (x10)	
03	193535	Gasket, type C, (x10)	
04	178991	O-ring, (x10)	
05	981142	Sealing ring, (x10)	
06	0020038572	Heat exchanger dhw (19 plates)	with parts 02, 07
07	178967	Screw, M5 x 18 mm, (x10)	
08	193536	Guide, (x2)	
09	179031	Connection, brass	with parts 03, 07, 10, 11, 12, 13, 14, 15a
10	193537	O-ring, (x10)	
11	178992	Clip, (x10)	
12	0020107694	Clip, (x5)	
13	178993	O-ring, (x10)	
14	179030	Filter	with parts 10, 11
15	0020059717	Sensor (water pressure)	with parts 12, 13
15a	-	-	not available as spare part, see part 09
16	179033	Pipe	with parts 10, 26
17	179034	Pipe	with part 26
18	178988	Flow sensor	with parts 04, 11, 19, 22
19	178966	Clip	
20	0020018067	Connection piece	with parts 05, 11, 22, 53
21	-	-	not necessary
22	981163	O-ring, (x10)	
23	179037	Pipe	with parts 05, 21, 26, 46
24	0020270733	Cable, adapter for SAIA 3wv motor	not shown
24	0020132682	Diverter valve, brass, with adaptor	VUW OE 236/3-5, with parts 02, 03, 07, 10, 11, 12, 30
25	179036	Pipe	with parts 10, 26
26	981140	Sealing ring, 3/4, (x10)	
27	0020018068	Connection piece	with parts 26, 52

## Wall-hung boilers (condensing system) VCW, VUW

VUW OE 236/3-5

08 - Connection parts (Hydroblock)

Поз.	Артикульный номер	Описание	Указание, замечание
28	0010030691	Cable	Required in case of conversion
28	178983	Pump	with parts 02, 03, 10, 11, 13, 29, 31, 35, 47 Future phase-out due to EU regulation
28	0010030632	Pump, high-efficiency	with parts 02, 03, 10, 11, 13, 29, 31, 35, 47 Cable to be ordered in case of conversion
29	104521	Automatic de-aerator	
30	178980	Bypass	with part 12
31	193539	O-ring, (x10)	
32	-	-	not available as spare part, see pos. 28
33	178981	Clip	
34	178985	Pressure relief valve, 3 bar	with parts 11, 35, 59 (Brass)
35	178986	O-ring, (x10)	
36	981165	O-ring, (x10)	
37	0020085467	Gasket	
38	509120	Gasket, (x10)	
39	509121	Gasket, (x10)	
40	0020128697	Wiring harness	
41	103429	Sensor NTC, DHW outlet pipe	
42	103430	Sensor NTC, DHW heat exchanger	
43	178984	Support	
44	0020107695	Screw, (x10)	
45	193598	Nut, (PK4)	
46	074514	Filter	
47	0020133833	Screw, (x10)	
48	-	-	not necessary
49	-	-	not necessary
50	0020018064	Non-return valve	
51	-	-	replaced by pict. no. 62
52	981154	O-ring, (x10)	
53	981146	Sealing ring, (x10)	
54	0020010292	Handle, (x2)	
55	0020018066	Tube	with part 53

## Wall-hung boilers (condensing system) VCW, VUW

VUW OE 236/3-5

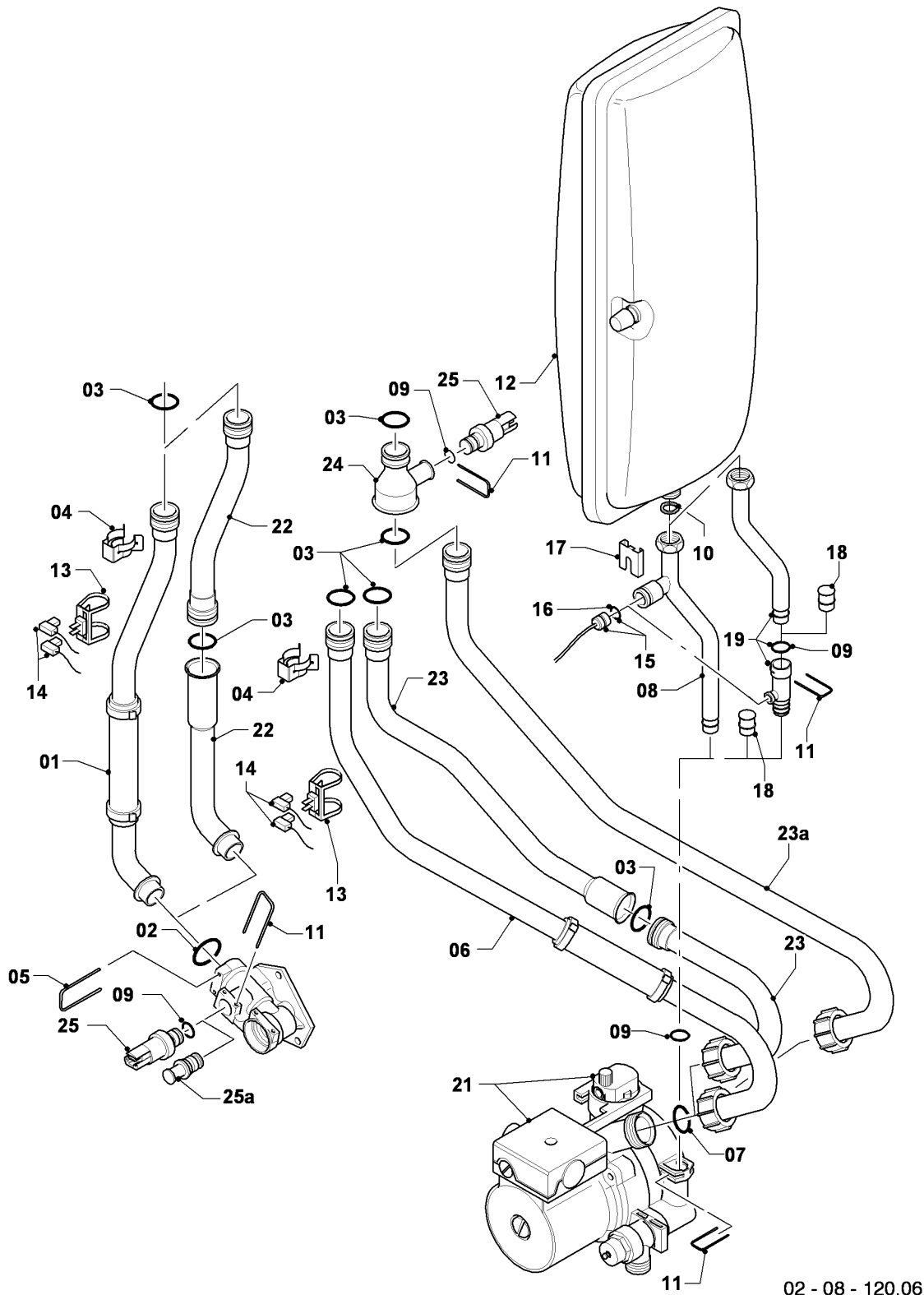
08 - Connection parts (Hydroblock)

Поз.	Артикульный номер	Описание	Указание, замечание
56	-	-	not necessary
57	-	-	not necessary
58	0020069578	Connection	with parts 04, 22
59	178974	Lever	
60	0020275015	Pressure relief valve, 3 bar	with parts 11, 35, 61 (Composite)
61	-	-	not available as spare part, see pict. no. 60
62	0020265137	Valve, filling	with parts 52, 53, 63
63	0020265138	Handle	

# Wall-hung boilers (condensing system) VCW, VUW

VUW OE 236/3-5

08a - Connection parts



02 - 08 - 120.06

## Wall-hung boilers (condensing system) VCW, VUW

VUW OE 236/3-5

08a - Connection parts

Поз.	Артикульный номер	Описание	Указание, замечание
00	0010032799	Plug	not shown for pos. 21, 0010030632
01	-	-	180946 no longer available, see pict. no. 22
02	193537	O-ring, (x10)	
03	103415	O-ring, (x10)	
04	103417	Clip, (x10)	
05	178992	Clip, (x10)	
06	-	-	180948 no longer available, see pict. no. 23a
07	193539	O-ring, (x10)	
08	-	-	not necessary
09	178993	O-ring, (x10)	
10	981149	Sealing ring, (x10)	
11	0020107694	Clip, (x5)	
12	181051	Expansion vessel 10 ltr.	with part 10
13	193592	Sensor NTC (CH flow/CH return)	
14	193586	Harness	
15	180982	Pressure gauge	
16	981155	O-ring, (x10)	
17	0020107709	Support	
18	-	-	not necessary
19	0020025045	Connection tube	with parts 10, 11, 16, 17
20	-	-	not necessary
21	178983	Pump	Future phase-out due to EU regulation
21	0010030691	Cable	Required in case of conversion
21	0010030632	Pump, high-efficiency	Cable to be ordered in case of conversion
22	0020068956	Connection tube, (kit)	VUW OE 236/3-5, with parts 02, 03
23	-	-	no longer available, see pict. no. 23a
23a	0020068958	Connection tube	with parts 03, 04, 07, 09, 11, 24, 25a
24	0020087657	Adapter	with parts 03, 09, 11, 25a
25	0020059717	Sensor (water pressure)	with parts 09, 11

## Wall-hung boilers (condensing system) VCW, VUW

VUW OE 236/3-5

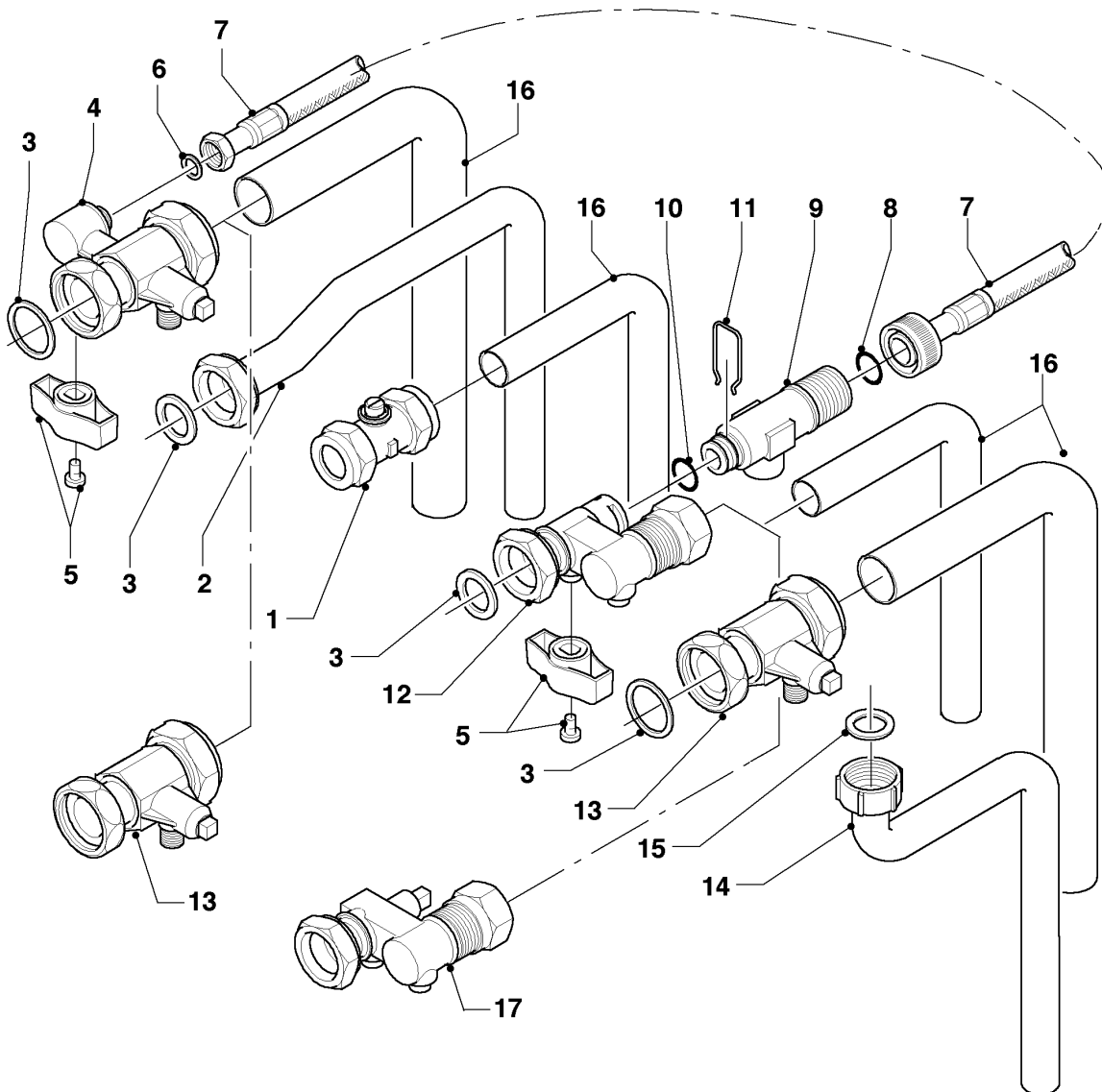
08a - Connection parts

Поз.	Артикульный номер	Описание	Указание, замечание
25a	-	-	not available as spare part, see pict. no. 23a, 24

# Wall-hung boilers (condensing system) VCW, VUW

VUW OE 236/3-5

08b - Connection parts (Acc.)



02 - 08 - 125.01

## Wall-hung boilers (condensing system) VCW, VUW

VUW OE 236/3-5

08b - Connection parts (Acc.)

Поз.	Артикульный номер	Описание	Указание, замечание
01	083437	Compression fitting R3/4 x 15	for gas connection
02	081445	Connection tube	with part 03
03	981140	Sealing ring, 3/4, (x10)	
04	-	-	not necessary
05	0020010292	Handle, (x2)	
06	-	-	not necessary
07	-	-	not necessary
08	-	-	not necessary
09	-	-	not necessary
10	-	-	not necessary
11	-	-	not necessary
12	-	-	not necessary
13	0020017772	Service cock left + right	with part 03
13	083437	Compression fitting R3/4 x 15	not shown, for service cock
14	0020010297	Tube, pressure relief valve (copper)	with part 15
15	0020010298	Sealing ring, (x10)	
16	-	-	not available as spare part
17	014714	Valve	





## Wall-hung boilers (condensing system) VCW, VUW

VUW OE 236/3-5

12 - Control panel

Поз.	Артикульный номер	Описание	Указание, замечание
01	0020041164	Casing (Performance, grey)	with parts 02, 03
02	0020067507	Fuse, 2,0 A T2H, (x10)	2.0 AT
03	0020048969	Buttons grey, kit of 3	
04	0020132764	Printed circuit board	with part 02
05	0020056561	Display, grey	
06	180982	Pressure gauge	
06a	0020107709	Support	
06b	981155	O-ring, (x10)	
07	0020128697	Wiring harness	Hydraulic
07	193586	Harness	VUW OE 236/3-5, appliance
08	078533	Cable fixation	
09	-	-	not necessary
10	-	-	not necessary
11	-	-	not necessary
12	-	-	not necessary
13	193583	Spacer, (x2)	VUW OE 236/3-5
14	-	-	not necessary
15	0020020025	Bracket, (x2)	with part 16
16	0020107695	Screw, (x10)	
17	0020130489	Cover control slot, grey	