

Spare parts catalogue

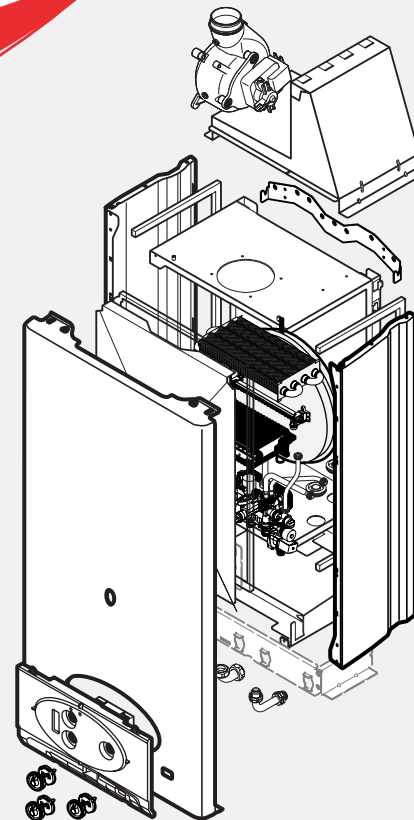
**Thematek**

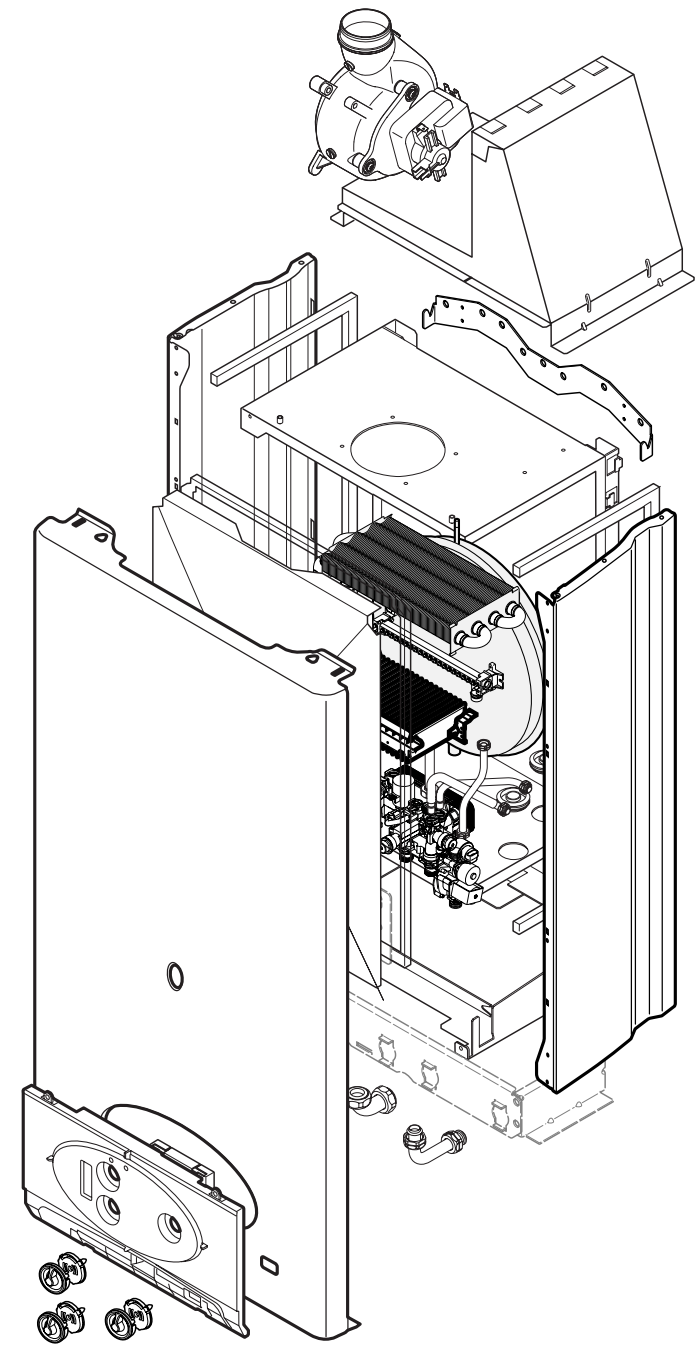
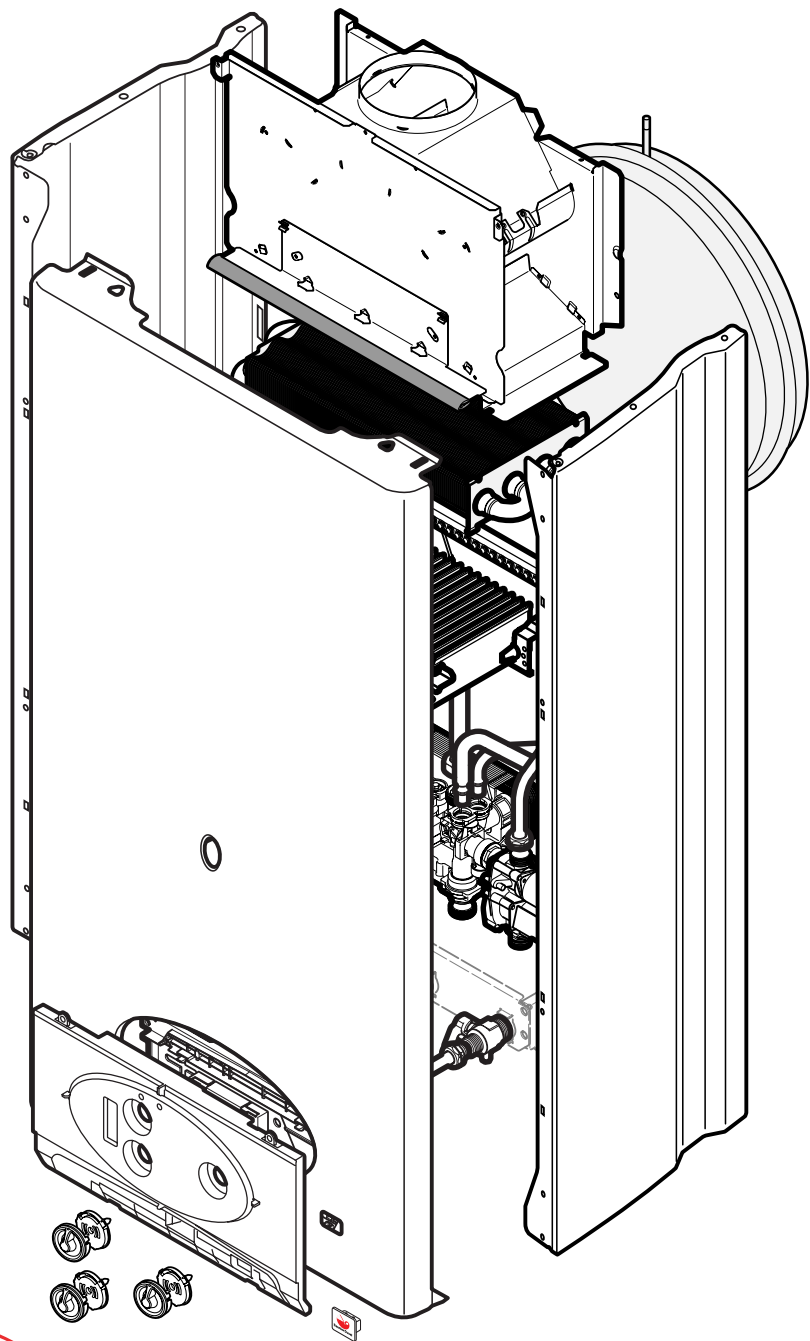
Thematek C 24 E

Thematek F 24 E

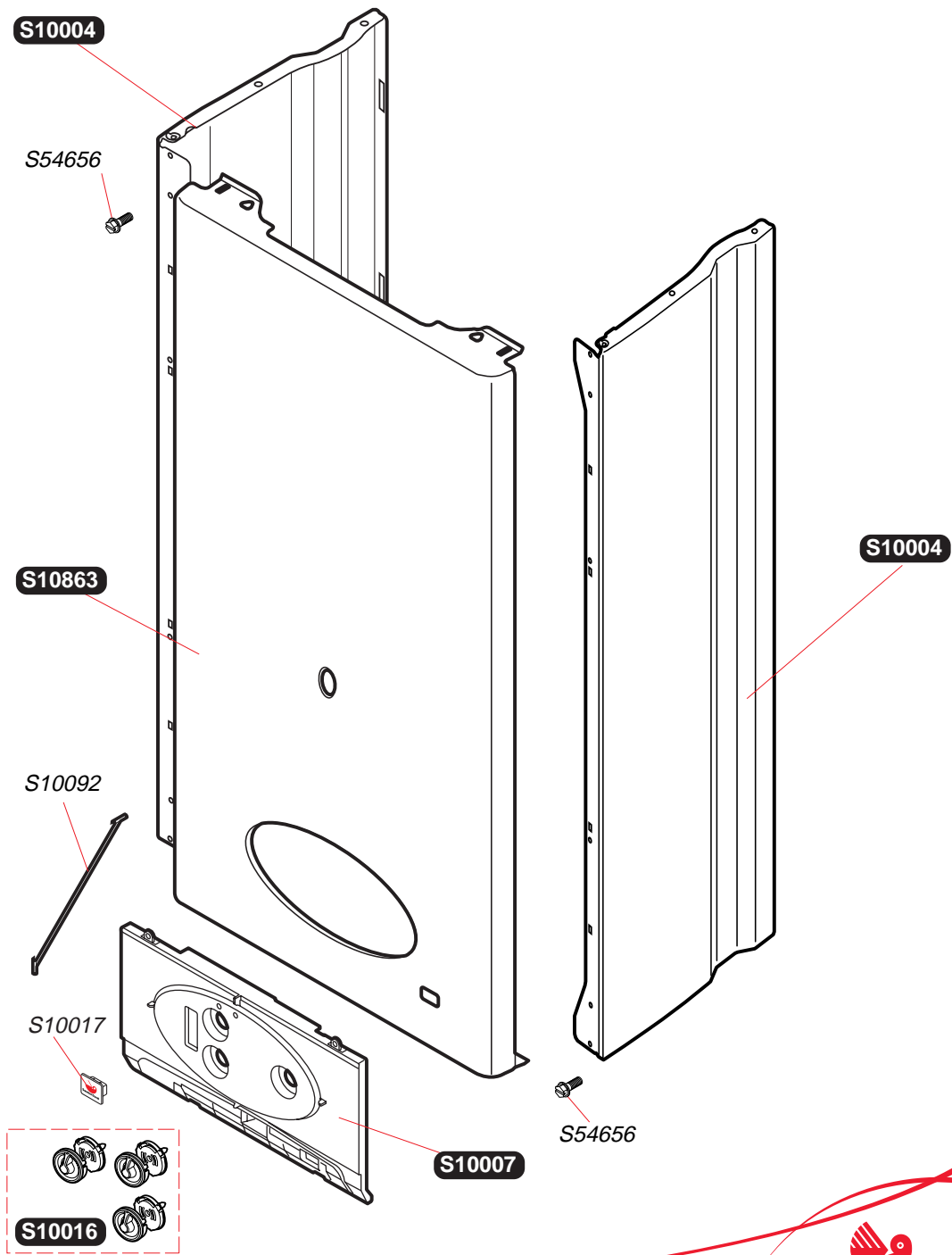


**Saunier Duval**

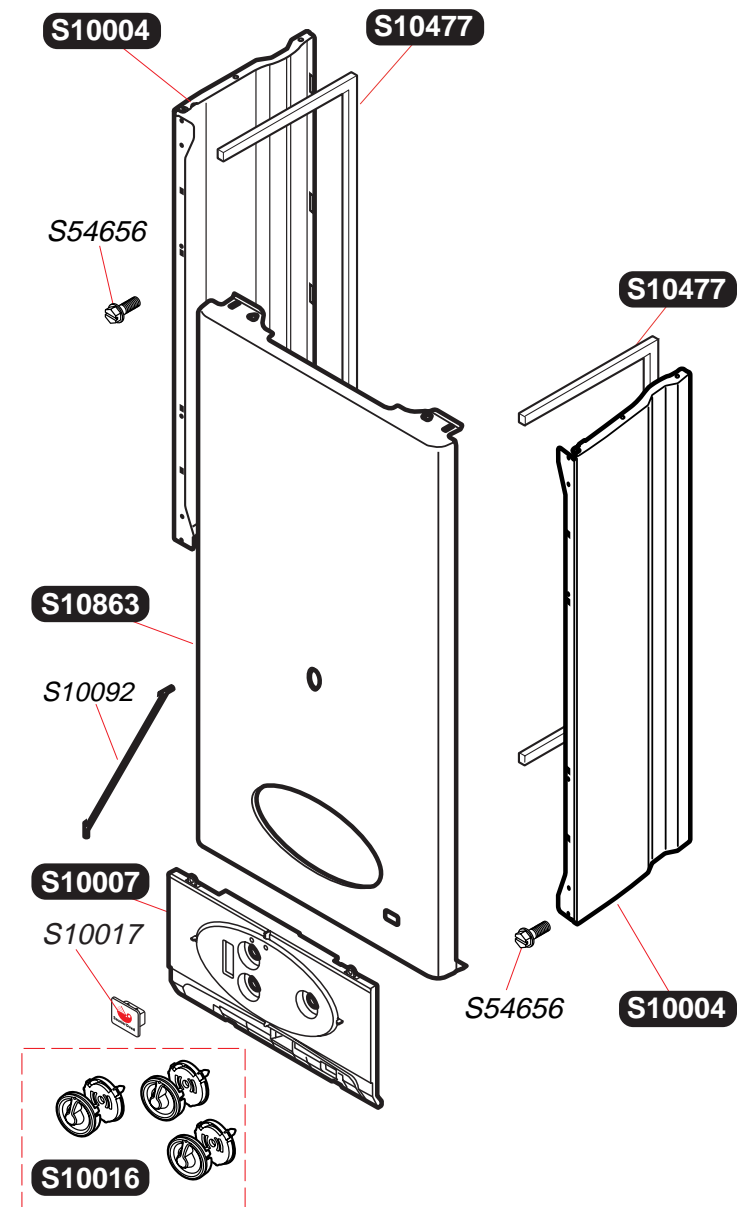




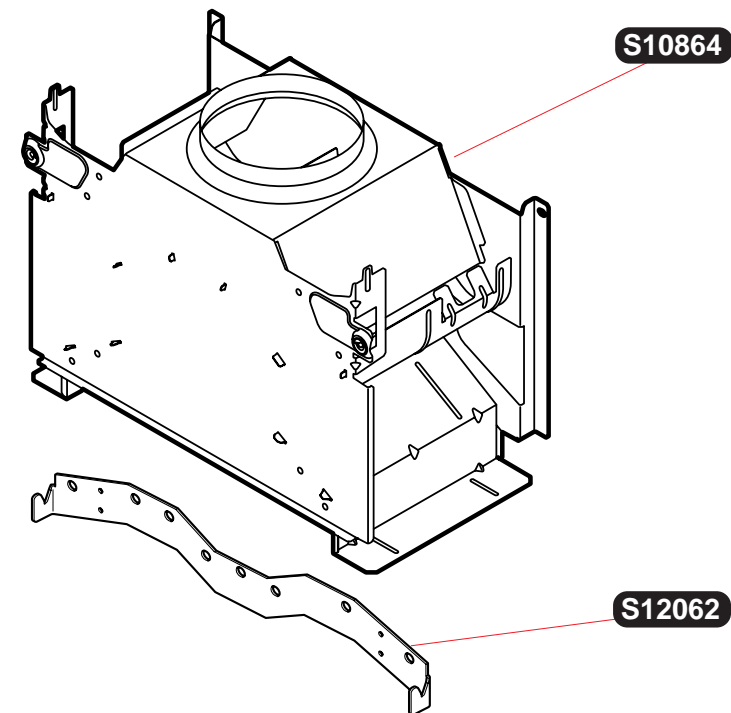
<b>S10004</b>	<b>1</b>	<b>Side panel</b>
<b>S10007</b>	<b>1</b>	<b>Control panel</b>
<b>S10016</b>	<b>3</b>	<b>Knob</b>
<b>S10017</b>	<b>10</b>	<b>Brand name</b>
<b>S10092</b>	<b>5</b>	<b>Stay</b>
<b>S10863</b>	<b>1</b>	<b>Front panel</b>
<b>S54656</b>	<b>50</b>	<b>Screw</b>



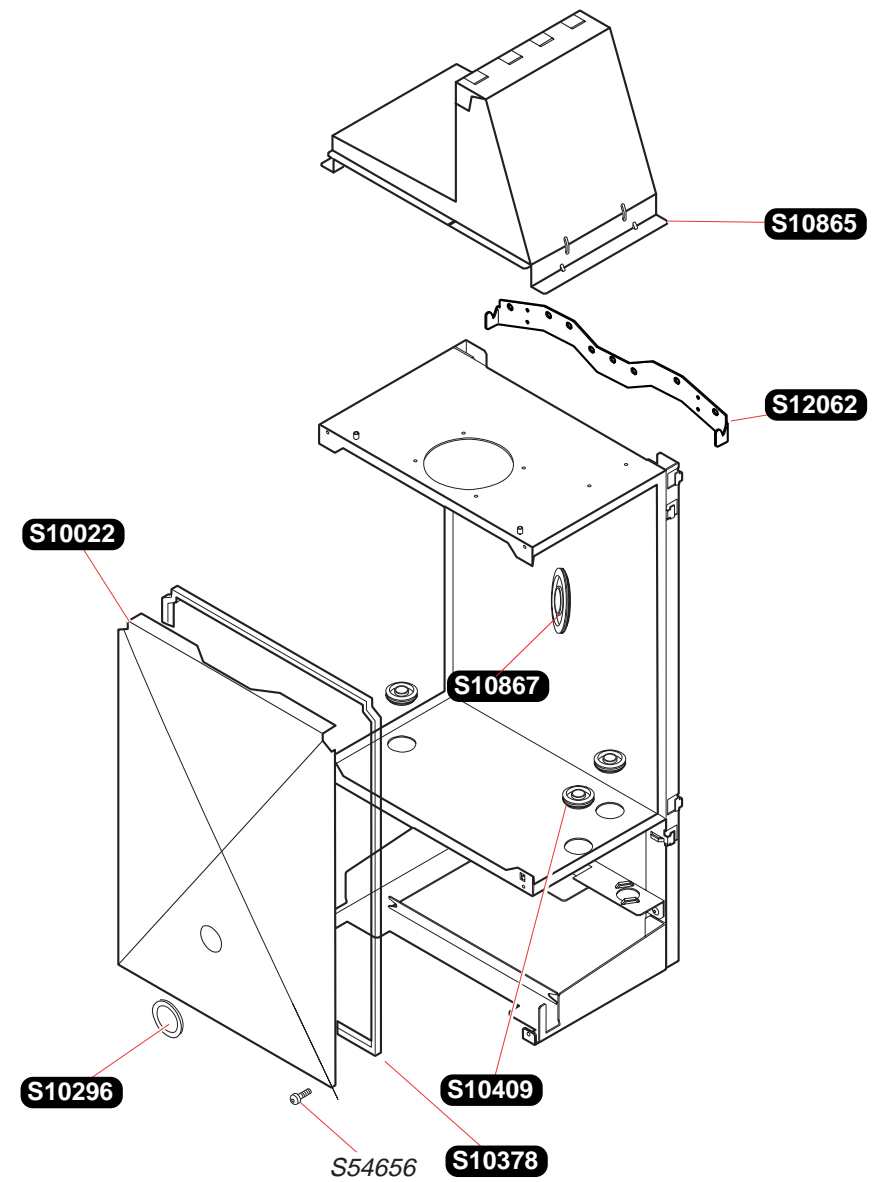
<b>S10004</b>	<b>1</b>	<b>Side panel</b>
<b>S10007</b>	<b>1</b>	<b>Control panel</b>
<b>S10016</b>	<b>3</b>	<b>Knob</b>
<b>S10017</b>	<b>10</b>	<b>Brand name</b>
<b>S10092</b>	<b>5</b>	<b>Stay</b>
S10477	1	Washer
<b>S10863</b>	<b>1</b>	<b>Front panel</b>
S54656	50	Screw



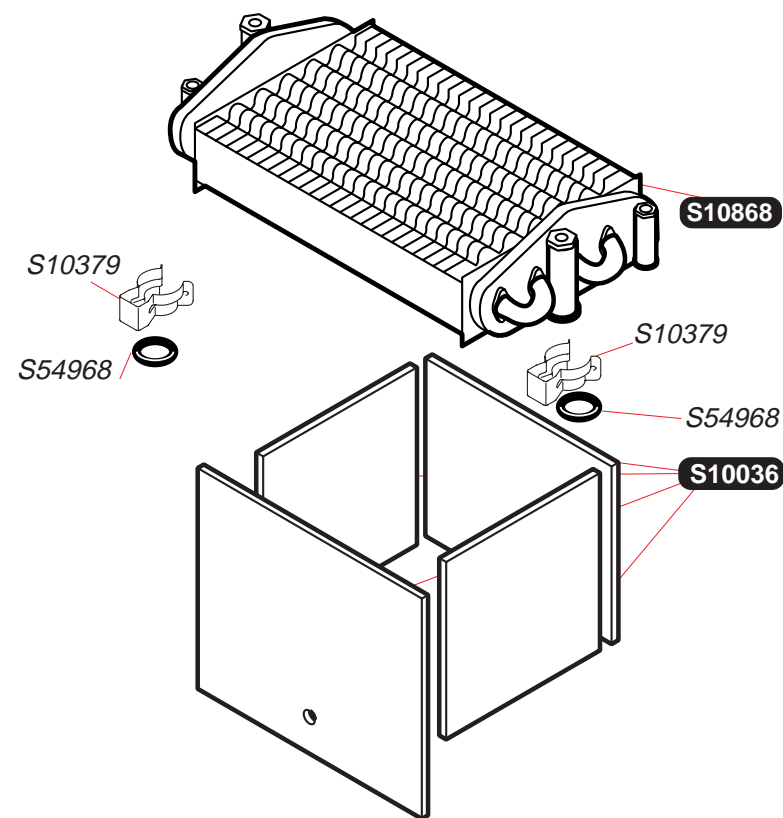
<b>S10864</b>	<b>1</b>	<b><i>Draught diverter</i></b>
<b>S12062</b>	<b>1</b>	<b><i>Hanging bracket</i></b>



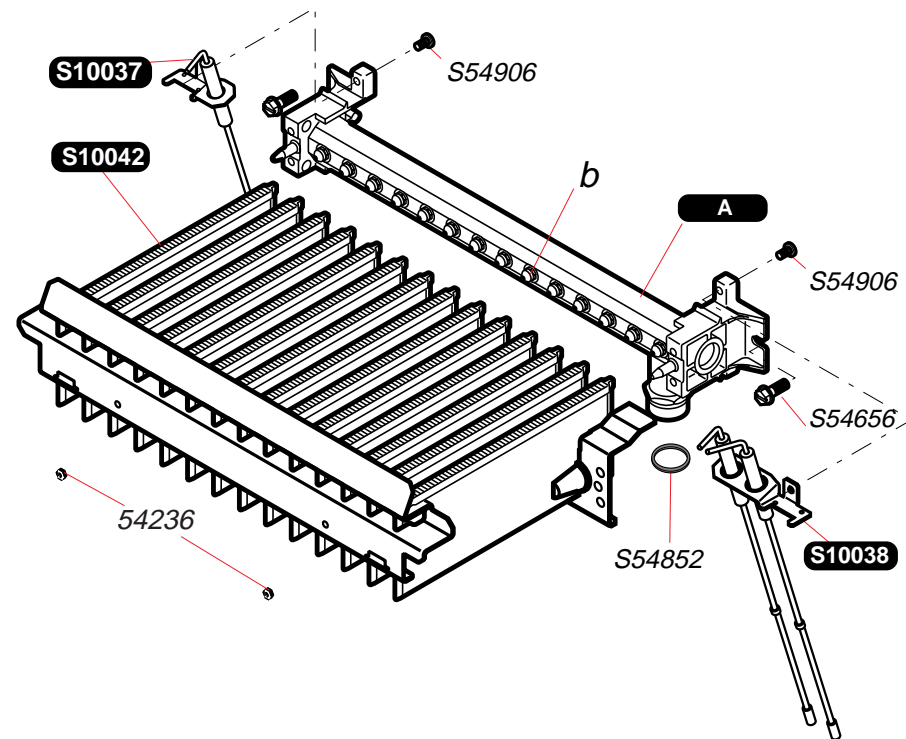
<b>S10022</b>	<b>1</b>	<b>Combustion front panel</b>
<b>S10296</b>	<b>1</b>	<b>Seal and inspection pilot glass</b>
<b>S10378</b>	<b>1</b>	<b>Combustion front panel seal</b>
<b>S10409</b>	<b>3</b>	<b>Grommet</b>
<b>S10865</b>	<b>1</b>	<b>Flue hood assembly</b>
<b>S10867</b>	<b>1</b>	<b>Grommet</b>
<b>S12062</b>	<b>3</b>	<b>Hanging bracket</b>
<b>S54656</b>	<b>50</b>	<b>Screw</b>



<b>S10036</b>	<b>1</b>	<b>Combustion insulation</b>
S10379	10	Clip
<b>S10868</b>	<b>1</b>	<b>Heat exchanger</b>
S54968	50	O Ring

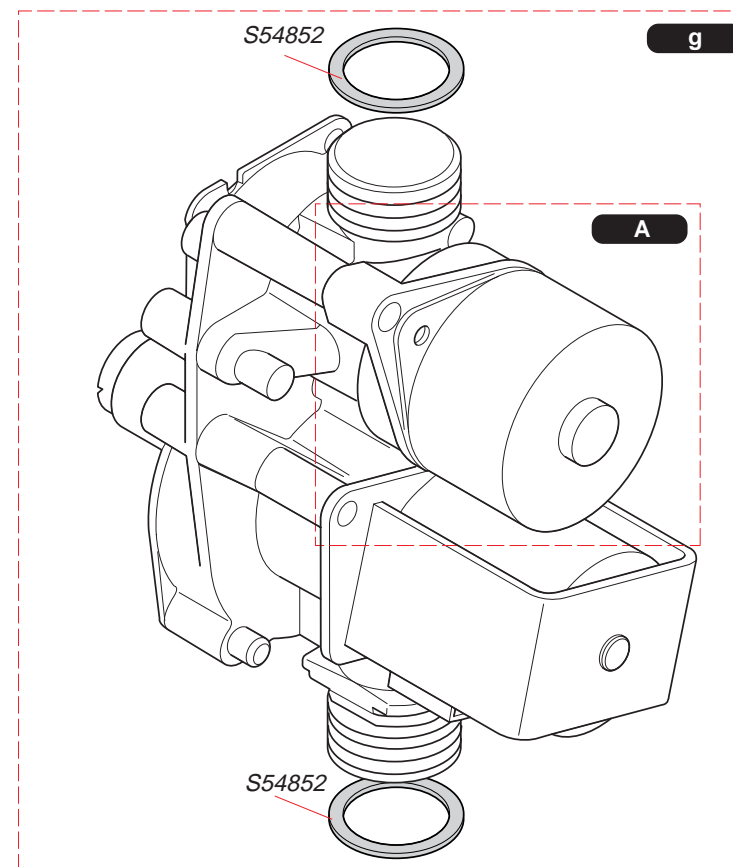


<b>S10037</b>	<b>1</b>		<b>Sensing flame electrode</b>
<b>S10038</b>	<b>1</b>		<b>Ignition flame electrode</b>
<b>S10042</b>	<b>1</b>		<b>Burner</b>
<b>S10869</b>	<b>1</b>	<b>A</b>	<b>Manifold assembly G30</b>
<b>S10879</b>	<b>1</b>	<b>A</b>	<b>Manifold assembly G20</b>
S52959	16	b	Burner injector G30
S52969	16	b	Burner injector G20
54236	100		Nut
S54656	100		Screw
S54852	100		Washer
S54906	50		Screw

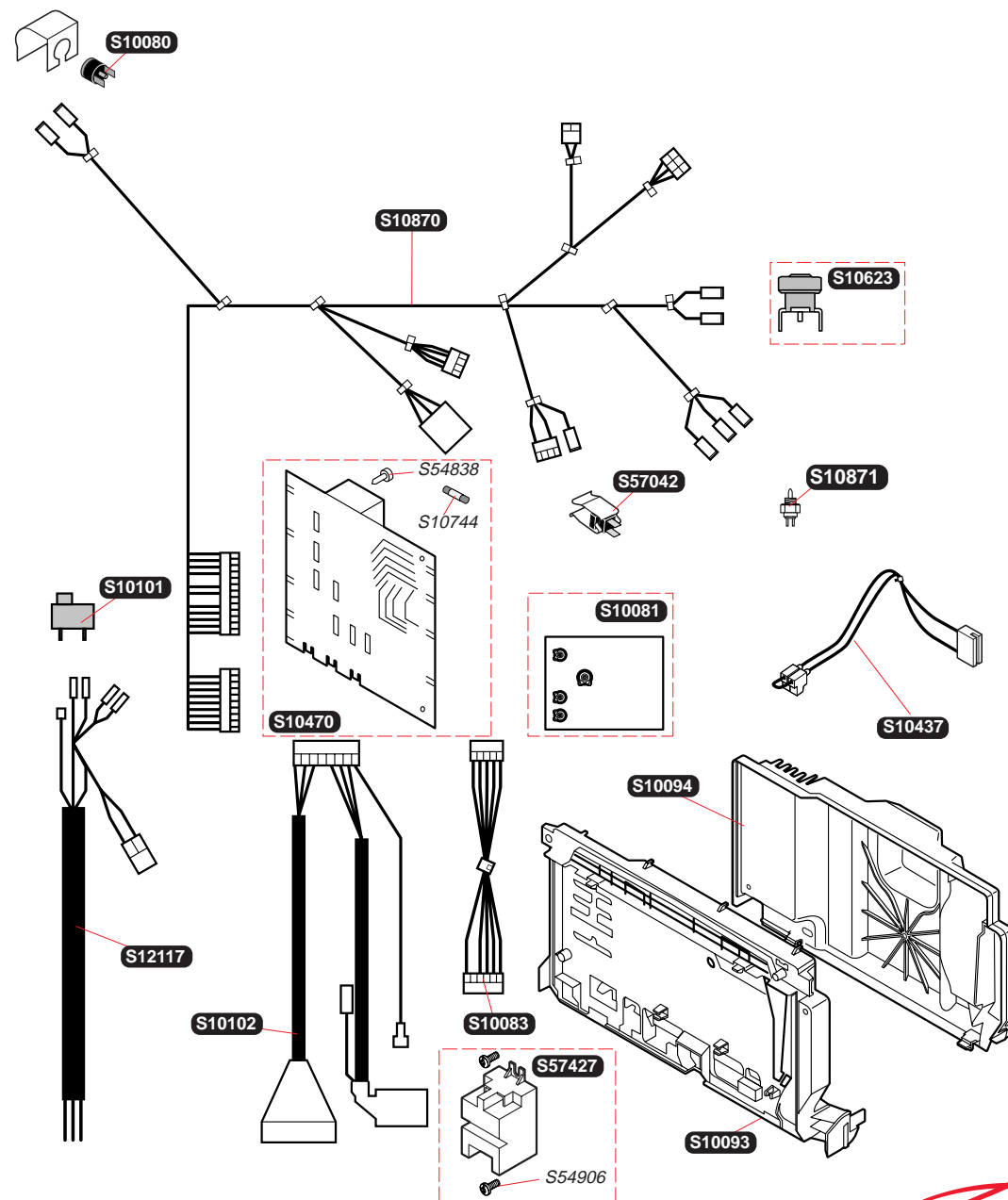




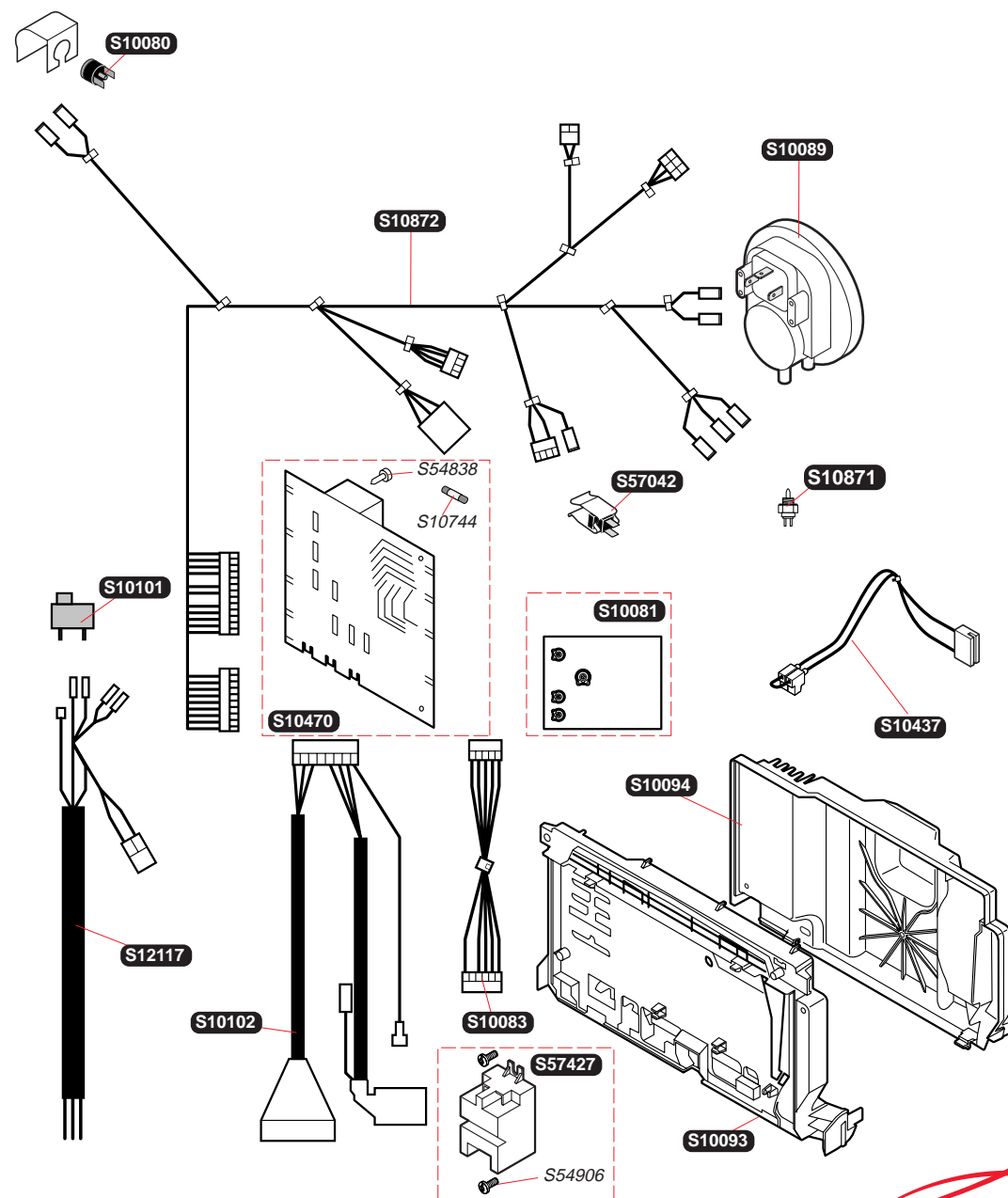
S10715	1	g	Gas valve G30
S10716	1	g	Gas valve G20
<b>S10717</b>	<b>1</b>	<b>A</b>	<b>Step by step motor G20</b>
<b>S10718</b>	<b>1</b>	<b>A</b>	<b>Step by step motor G30</b>
S54852	100		Washer



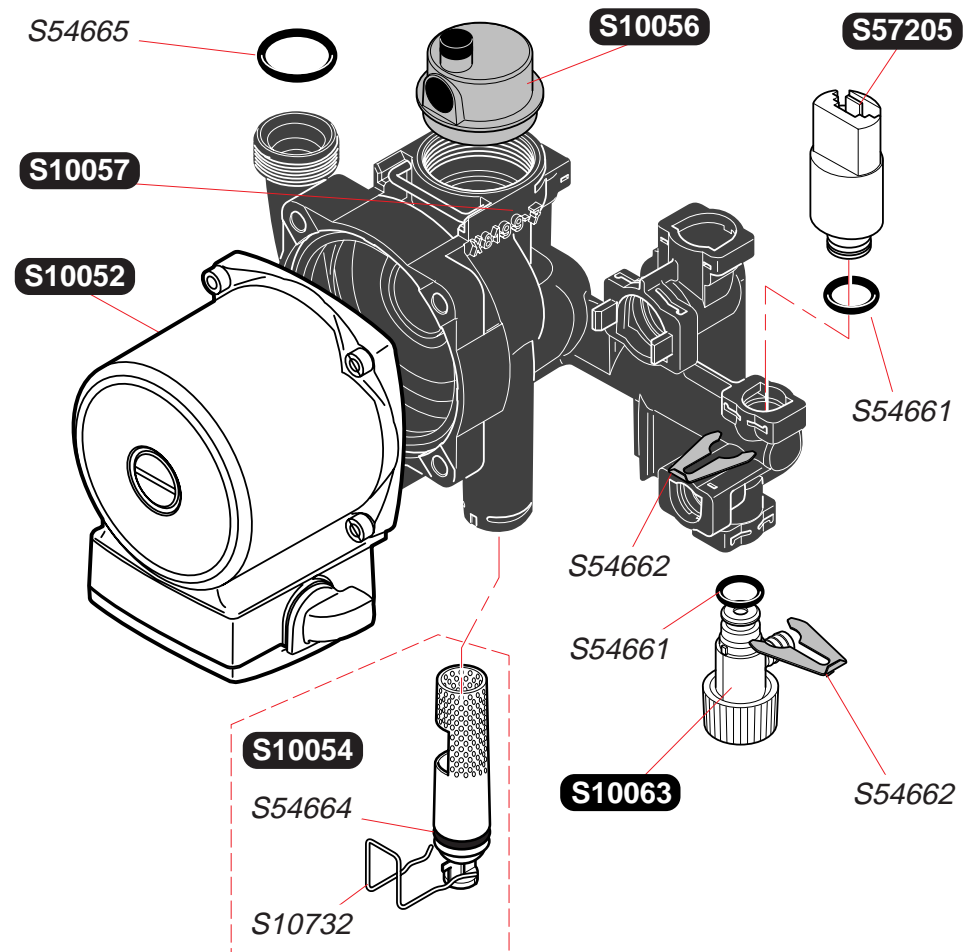
<b>S10080</b>	<b>1</b>	<b>Overheat thermostat</b>
<b>S10081</b>	<b>1</b>	<b>Interface card</b>
<b>S10083</b>	<b>1</b>	<b>Harness</b>
<b>S10093</b>	<b>1</b>	<b>Plastic control box</b>
<b>S10094</b>	<b>1</b>	<b>Plastic control cover</b>
<b>S10101</b>	<b>1</b>	<b>Switch ON/OFF</b>
<b>S10102</b>	<b>1</b>	<b>Ignition lead</b>
<b>S10437</b>	<b>1</b>	<b>Adaptor cable TA</b>
<b>S10470</b>	<b>1</b>	<b>Printed circuit board</b>
<b>S10623</b>	<b>1</b>	<b>Chimney safety switch</b>
S10744	5	Fuse 630mA
<b>S10870</b>	<b>1</b>	<b>Harness</b>
<b>S10871</b>	<b>1</b>	<b>CTN Thermostat</b>
<b>S12117</b>	<b>1</b>	<b>Supply harness</b>
S54838	75	Screw
S54906	50	Screw
<b>S57042</b>	<b>1</b>	<b>Temperature sensor</b>
<b>S57427</b>	<b>1</b>	<b>Spark generator</b>



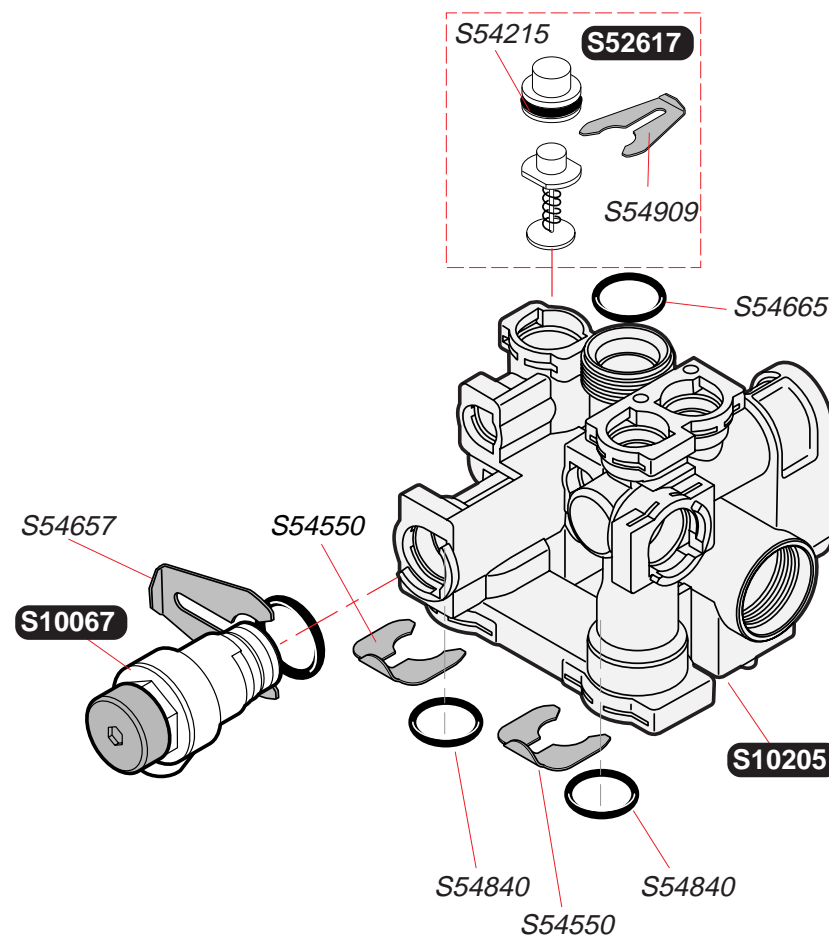
<b>S10080</b>	<b>1</b>	<b>Overheat thermostat</b>
<b>S10081</b>	<b>1</b>	<b>Interface card</b>
<b>S10083</b>	<b>1</b>	<b>Harness</b>
<b>S10089</b>	<b>1</b>	<b>Air pressure switch</b>
<b>S10093</b>	<b>1</b>	<b>Plastic control box</b>
<b>S10094</b>	<b>1</b>	<b>Plastic control cover</b>
<b>S10101</b>	<b>1</b>	<b>Switch ON/OFF</b>
<b>S10102</b>	<b>1</b>	<b>Ignition lead</b>
<b>S10437</b>	<b>1</b>	<b>Adaptor cable TA</b>
<b>S10470</b>	<b>1</b>	<b>Printed circuit board</b>
S10744	5	Fuse 630mA
<b>S10871</b>	<b>1</b>	<b>CTN Thermostat</b>
<b>S10872</b>	<b>1</b>	<b>Harness</b>
<b>S12117</b>	<b>1</b>	<b>Supply harness</b>
S54838	75	Screw
S54906	50	Screw
<b>S57042</b>	<b>1</b>	<b>Temperature sensor</b>
<b>S57427</b>	<b>1</b>	<b>Spark generator</b>



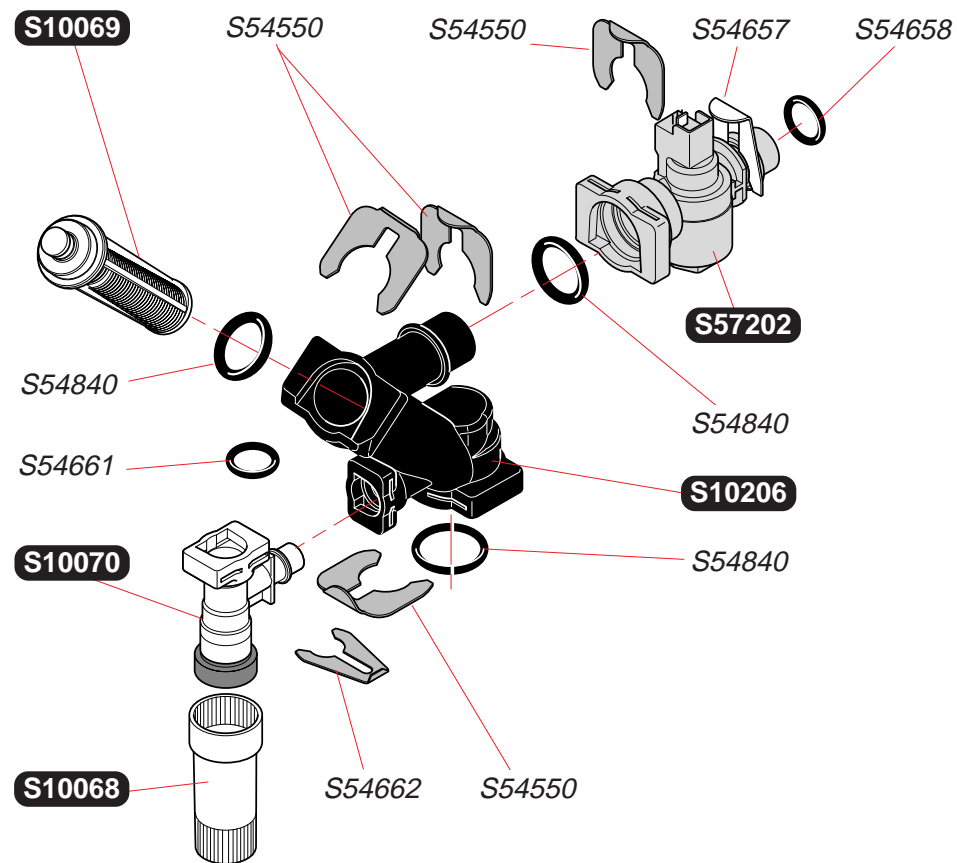
<b>S10052</b>	<b>1</b>	<b>Pump motor 30 W</b>
<b>S10054</b>	<b>1</b>	<b>Filter</b>
<b>S10056</b>	<b>1</b>	<b>Automatic air vent</b>
<b>S10057</b>	<b>1</b>	<b>Bloc pump</b>
<b>S10063</b>	<b>1</b>	<b>Draining pipe</b>
<b>S10732</b>	<b>10</b>	<b>Clip</b>
S54661	20	O Ring
S54662	10	Clip Ø 10
S54664	20	O Ring
S54665	20	O Ring
<b>S57205</b>	<b>1</b>	<b>System pressure sensor</b>



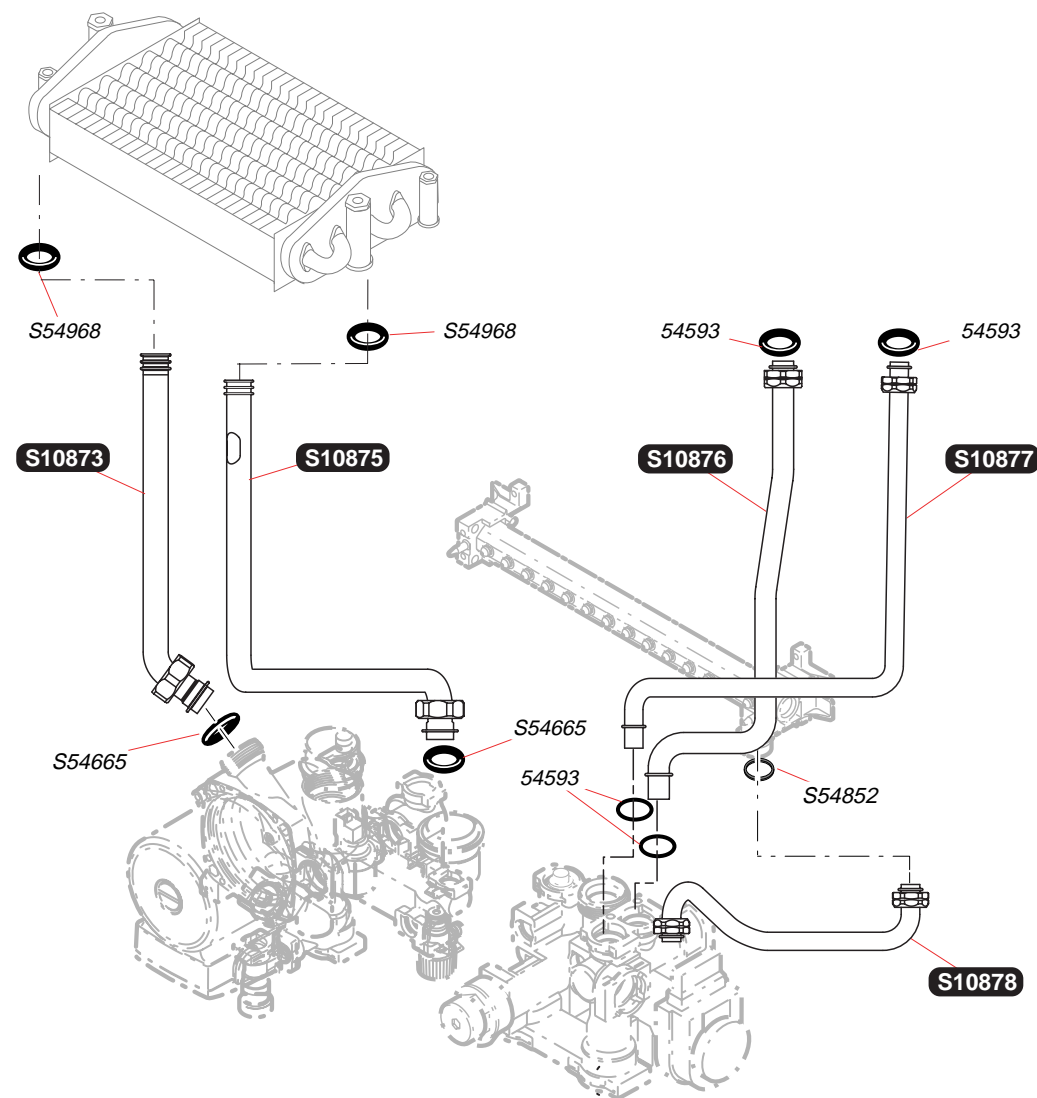
<b>S10067</b>	<b>1</b>	<b>Heating safety valve 3 bar</b>
<b>S10205</b>	<b>1</b>	<b>Bloc 3 way valve</b>
<b>S52617</b>	<b>1</b>	<b>By Pass</b>
S54215	25	O Ring
S54550	10	Clip
S54657	10	Clip Ø 18
S54665	20	O Ring
S54840	10	O Ring
S54909	15	Clip



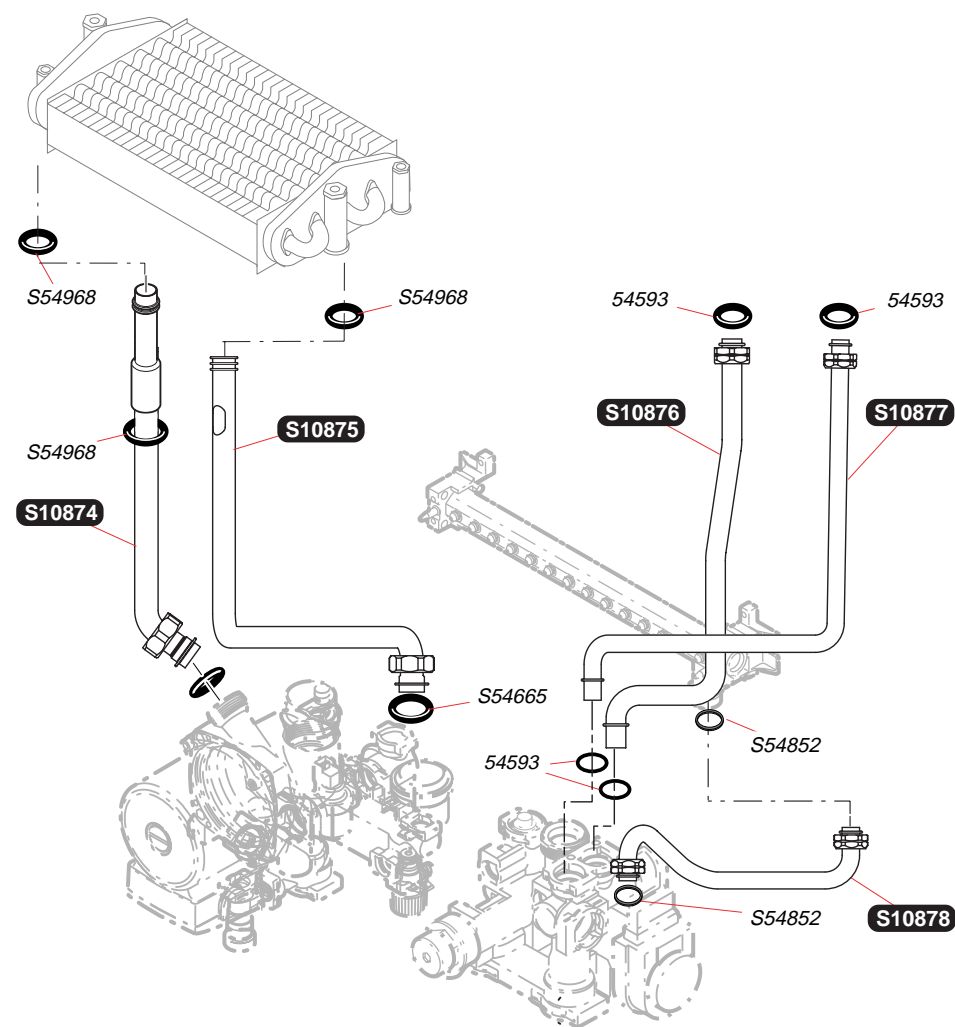
<b>S10068</b>	<b>1</b>	<b>Filling valve extension tubing</b>
<b>S10069</b>	<b>1</b>	<b>Sanitary fiilter</b>
<b>S10070</b>	<b>1</b>	<b>Filling cock</b>
<b>S10206</b>	<b>1</b>	<b>Z pipe</b>
S54550	10	Clip
S54657	10	Clip Ø 18
S54658	20	O Ring
S54661	20	O Ring
S54662	10	Clip Ø 10
S54840	10	O Ring
<b>S57202</b>	<b>1</b>	<b>Domestic hot water sensor</b>



<b>S10873</b>	<b>1</b>	<b>Pump / heat exchanger pipe</b>
<b>S10875</b>	<b>1</b>	<b>Heat exchanger / 3WV pipe</b>
<b>S10876</b>	<b>1</b>	<b>Cold water pipe</b>
<b>S10877</b>	<b>1</b>	<b>Hot water pipe</b>
<b>S10878</b>	<b>1</b>	<b>Gas valve / burner pipe</b>
54593	20	O Ring
S54665	20	O Ring
S54852	100	Washer
S54968	50	O Ring

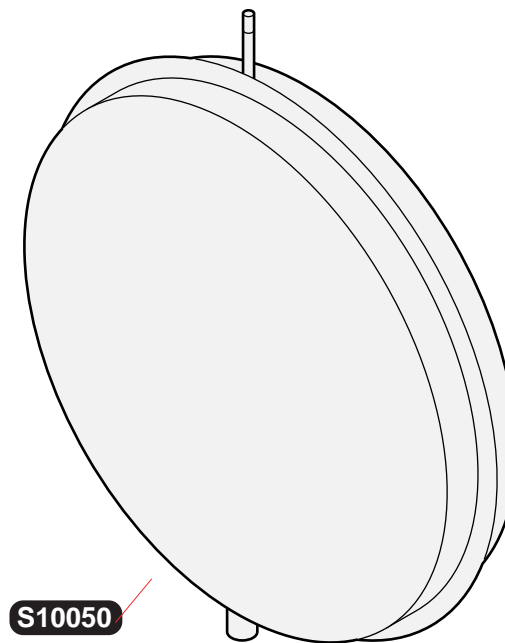


<b>S10874</b>	<b>1</b>	<b>Pump / heat exchanger pipe</b>
<b>S10875</b>	<b>1</b>	<b>Heat exchanger / 3WV pipe</b>
<b>S10876</b>	<b>1</b>	<b>Cold water pipe</b>
<b>S10877</b>	<b>1</b>	<b>Hot water pipe</b>
<b>S10878</b>	<b>1</b>	<b>Gas valve / burner pipe</b>
54593	20	O Ring
S54665	20	O Ring
S54852	100	Washer
S54968	50	O Ring

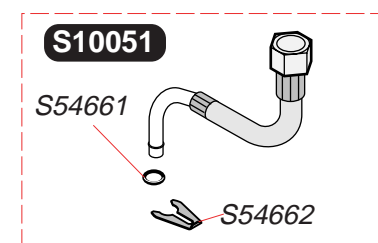




<b>S10050</b>	<b>1</b>	<b>Expansion vessel</b>
<b>S10051</b>	<b>1</b>	<b>Flexible</b>
S54661	20	O Ring
S54662	10	Clip ø10



**S10050**

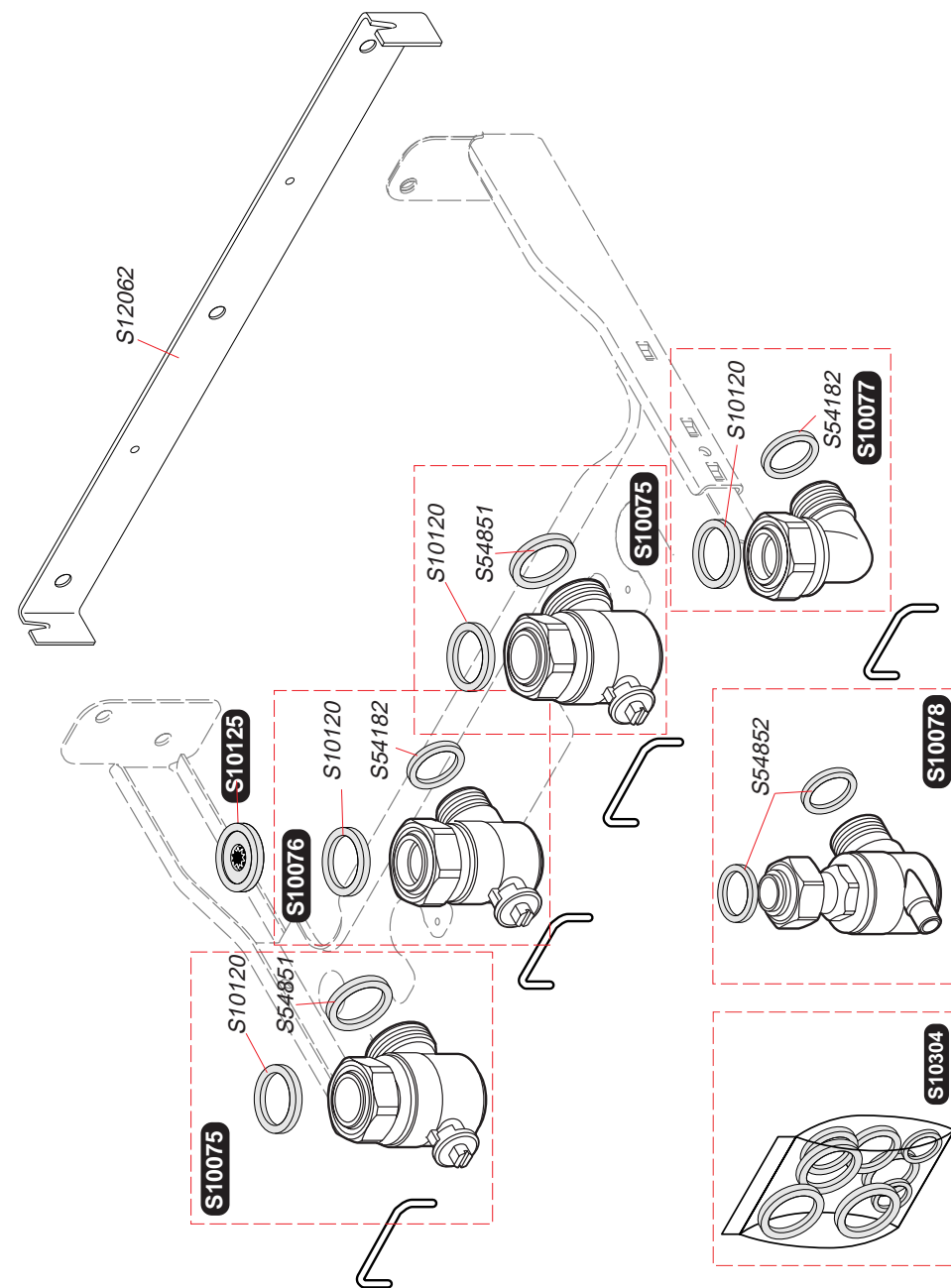


**S10051**

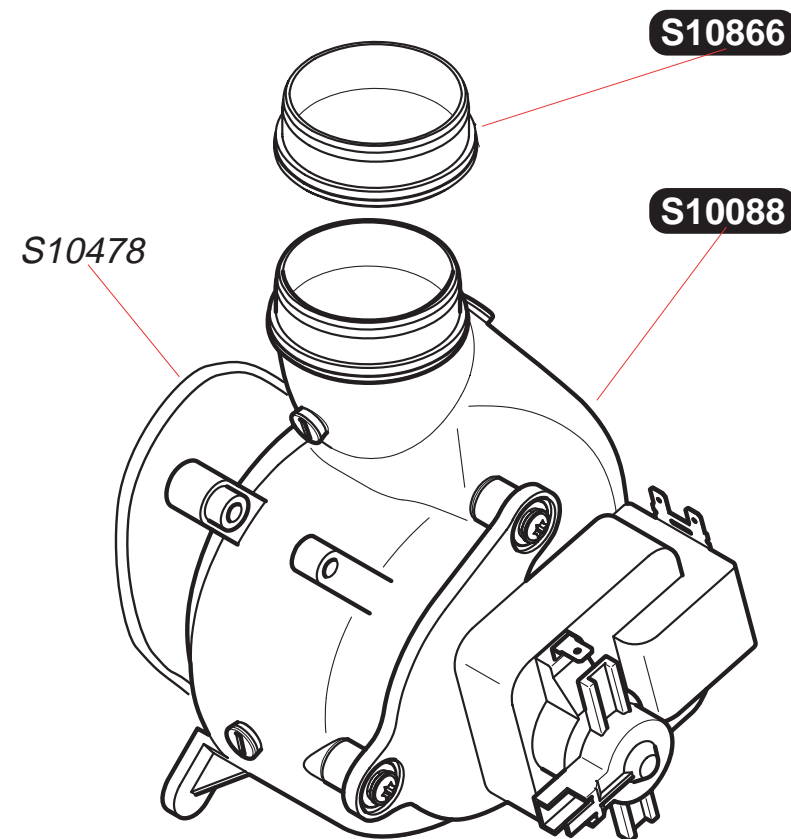
S54661

S54662

<b>S10075</b>	<b>1</b>	<b>Heating cock</b>
<b>S10076</b>	<b>1</b>	<b>Domestic cold water cock</b>
<b>S10077</b>	<b>1</b>	<b>Domestic cold water elbow</b>
<b>S10078</b>	<b>1</b>	<b>Gas connector</b>
S10120	50	Joint
<b>S10125</b>	<b>10</b>	<b>Flow limiter 12L</b>
<b>S10304</b>	<b>1</b>	<b>Washer bag kit + flow limiter 12L</b>
S54182	100	Washer
S54851	100	Washer
S54852	100	Washer



<b>S10088</b>	<b>1</b>	<b>Fan</b>
<b>S10478</b>	<b>1</b>	<b>O Ring</b>
<b>S10866</b>	<b>1</b>	<b>Diaphragm</b>



00200014035\_02 (26/05)



Saunier Duval Pièces de Rechange  
Rue Hippolyte Foucault  
Z.I. Nord  
72021 LE MANS CEDEX 2