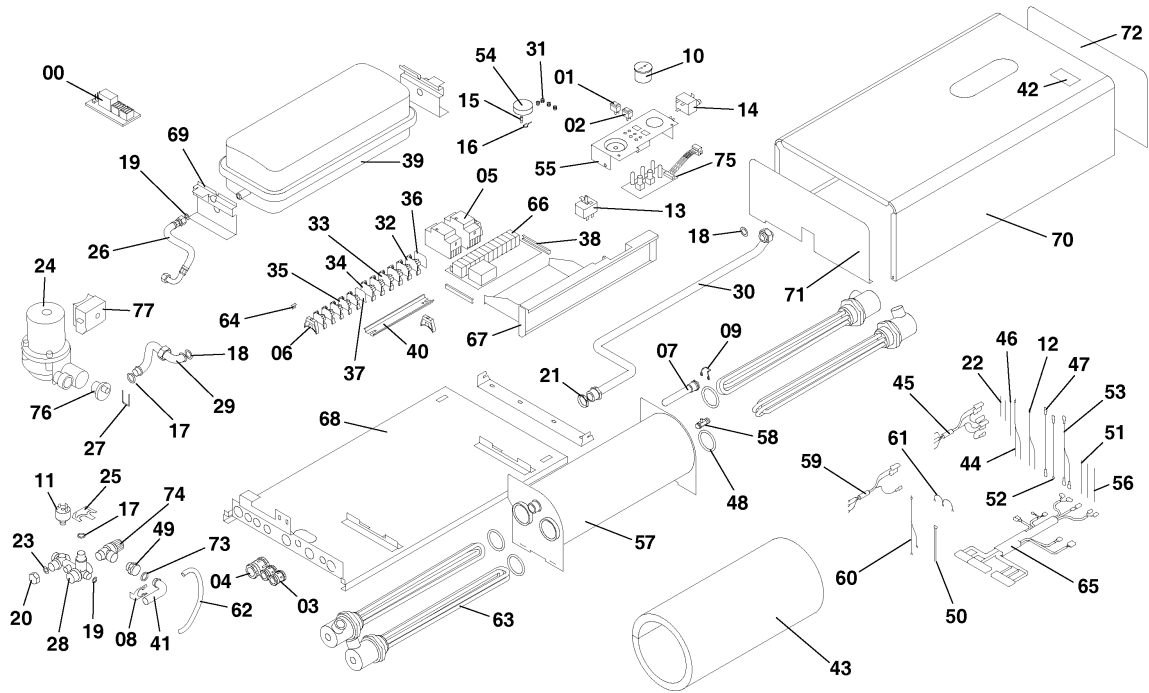


Wall-hung boilers (electric)

6K11 Ray

00 - General view



50 - 0 - 00 - 02.02

Wall-hung boilers (electric)

6K11 Ray

00 - General view

| Поз. | Артикульный номер | Описание | Указание, замечание |
|------|-------------------|-------------------------------------|--|
| 00 | 0020118407 | Relay board ELKTUV | not part of the boiler |
| 01 | 0020033182 | Glim lamp - orange H8580AB | |
| 02 | 0020033184 | Glim lamp - transparent H858HB | |
| 03 | 0020033218 | Bushing AL GP 13,5 | |
| 04 | 0020033220 | Bushing AL GP 21 | |
| 05 | 0020025215 | Contacto ISCH 25A | |
| 06 | 0020033261 | Terminal cap RSD 88 | |
| 07 | 0020027662 | 3 sensor pit | |
| 08 | 0020033344 | Clip for exchanger | |
| 09 | 0020033365 | Spring of safety sensor TG | |
| 10 | 0020027625 | Thermomanometer TG | |
| 11 | 0020027571 | Pressure sensor | |
| 12 | 0020034837 | Wire E105 | |
| 13 | 0020025281 | Thermostat - slow | |
| 14 | 0020025286 | Safety switch | |
| 15 | 0020033444 | Limit screw TG | |
| 16 | 0020033445 | Limiting spring TG | |
| 17 | 0020033467 | O-Ring, 18x3,5, (x10) | |
| 18 | 0020027665 | Sealing ring 24x15x2, (x10) | |
| 19 | 0020033473 | Gasket, 15x8x2, (x10) | |
| 20 | 0020035606 | Blind flange 1/2 - v.12 | |
| 21 | 0020033624 | Nut 3/4 low | |
| 22 | 0020033905 | Wire Q027 VJ | |
| 23 | 0020033932 | Sealing ring, AFM 34 18x10x2, (x10) | |
| 24 | 0010034148 | Pump, high-efficiency | |
| 24 | 0010030684 | Plug | |
| 24 | 0020023217 | Pump | available until 2021, then replaced by HE pump |
| 25 | 0020034088 | Clip - Pump | |
| 26 | 0020034104 | Hose arm. 3/8-3/8-elbow 30cm | |
| 27 | 0020034120 | Clip - Pump | |
| 28 | 0020034676 | BLOCK 24KXO15-inlet | |

Wall-hung boilers (electric)

6K11 Ray

00 - General view

| Поз. | Артикульный номер | Описание | Указание, замечание |
|------|-------------------|---------------------------------|---------------------|
| 29 | 0020034803 | Tube inlet HW | |
| 30 | 0020034804 | Tube outlet HW | |
| 31 | 0020034805 | Diode sleeve LD 500 | |
| 32 | 0020034806 | Clamp VK3 10/10 - grey | |
| 33 | 0020034807 | Clamp VK3 10/10 - blue | |
| 34 | 0020034808 | Clamp VK3 10/10 - groudng | |
| 35 | 0020034809 | Clamp VK3 2,5/5 - grey | |
| 36 | 0020034810 | Clamp board finish-10mm grey | |
| 37 | 0020034811 | Clamp board finish-5mm grey | |
| 38 | 0020034813 | Printed circuit panel strip | |
| 39 | 0020027624 | Expansion vessel 10L-W | |
| 40 | 0020034814 | Panel strip DIN TS 35-020 | |
| 41 | 0020034816 | Tube-spillway | |
| 42 | 0020035103 | Label PROTHERM 70 | |
| 43 | 0020034817 | Insulation, exchanger el.boiler | |
| 44 | 0020034823 | Wire E104 | |
| 45 | 0020035096 | Wire E9-12K11v2 | 6K11 Ray |
| 46 | 0020034826 | Wire E103 | |
| 47 | 0020034827 | Wire E102 | |
| 48 | 0020034829 | O ring 45x5 (set 5 pc) | |
| 49 | 0020034872 | Fitting of spillway pipe | |
| 50 | 0020034906 | Wire E109 | |
| 51 | 0020034907 | Wire E110 | |
| 52 | 0020034913 | Wire E111 | |
| 53 | 0020034957 | Wire E101d | |
| 54 | 0020034822 | Control knob - D3 | |
| 55 | 0020034815 | Electric panel | |
| 56 | 0020034980 | Wire E106v | |
| 57 | 0020034969 | El.boiler heat exch. 9-12kW 1 | 6K11 Ray |
| 58 | 0020034971 | Air vent 1/4-ART.347 | |
| 59 | 0020034979 | Wire E15-24K11v | |
| 60 | 0020034981 | Wire E107v | |

Wall-hung boilers (electric)

6K11 Ray

00 - General view

| Поз. | Артикульный номер | Описание | Указание, замечание |
|------|-------------------|------------------------------------|--|
| 61 | 0020034982 | Wire E112 | |
| 61 | 0020068844 | Harness E112 | |
| 62 | 0020044589 | Silicon hose-7/10 | |
| 63 | 0020027640 | Heating body NM 3kW with cover | 6K11 Ray |
| 64 | 0020043713 | Interconnection 2 pole | |
| 65 | 0020035068 | Wire-E9-24K11 v2 | |
| 66 | 0020112056 | Pcb, cpl. ELKOT7-6/12KW | 6K11 Ray |
| 67 | 0020043851 | Electric panel console | Этот артикул более не доступен. |
| 68 | 0020035261 | Frame, supporting 6-24K, KV11 - SP | |
| 69 | 0020044567 | Exp. vessel holder, unpaint. | |
| 70 | 0020035262 | Cover, el.boiler 6-24K11 - SP | |
| 71 | 0020035541 | Front cover blinder D, white | |
| 72 | 0020035540 | Front cover blinder U, white | |
| 73 | 0020043217 | O-ring, (x10) | |
| 74 | 0020025271 | Pressure relief valve 300kPa | |
| 75 | 0020035599 | Operation board ELKOT1 V5 | |
| 76 | 0020035044 | Air valve-pump | |
| 77 | 0020027645 | El. box for pump WILO | only for standard pump 0020023217, not for HE pump |