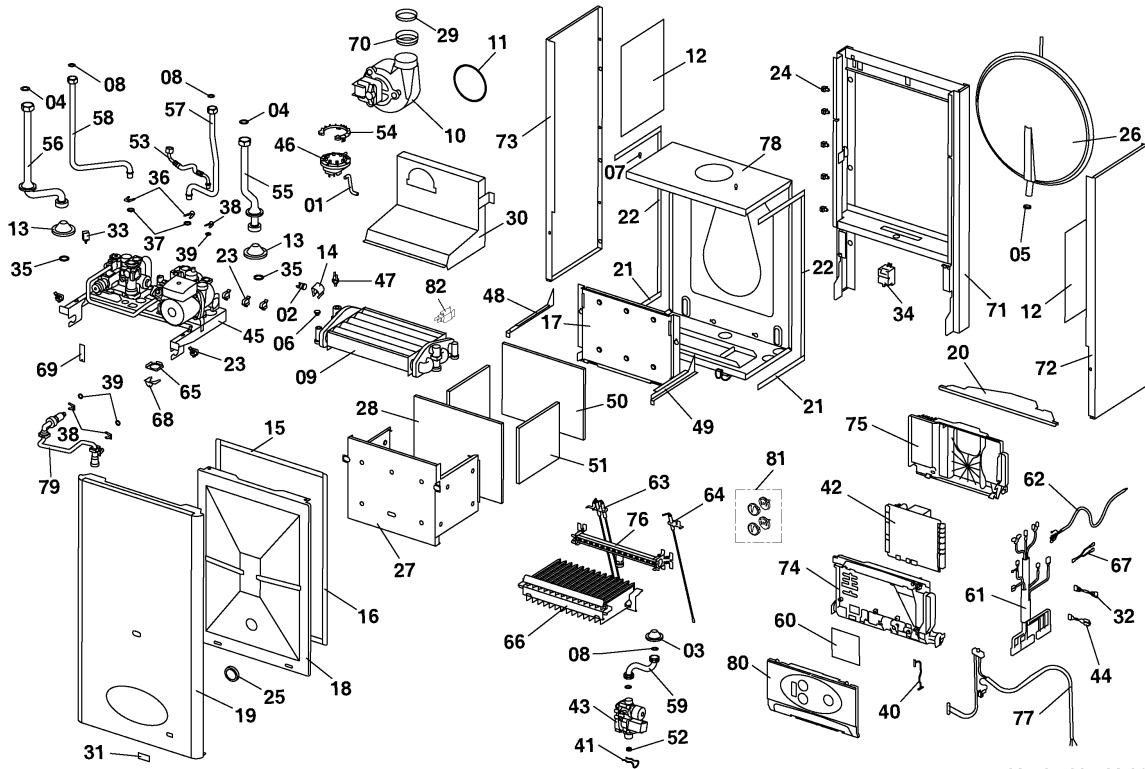


Wall-hung boilers (fan-assisted combi)

23BTVERD Lynx

00 - General view



02 - 0 - 00 - 06.01

Wall-hung boilers (fan-assisted combi)

23BTVERD Lynx

00 - General view

Поз.	Артикульный номер	Описание	Указание, замечание
01	0020033263	Silicon hose to manostat	
02	0020027537	Thermostat-bim non-revers 95C	
03	0020033462	Grommet I 326 14mm	
04	0020027665	Sealing ring 24x15x2, (x10)	
05	0020033836	Nut 3/8 low	
06	0020033860	Plug of hydroblock 1/8	
07	0020033921	Limiting pin 70004250	
08	0020033932	Sealing ring, AFM 34 18x10x2, (x10)	
09	0020025297	Heat exchanger - bithermical	
10	0020023215	Fan	
11	0020034094	Gasket, fan J, (x5)	
12	0020034106	Reflex foil -II	
13	0020034107	Grommet I 334 12x38	
14	0020034145	Thermofuse clip	
15	0020086931	Sea. tape self-stick 18x20x893	
16	0020086931	Sea. tape self-stick 18x20x893	
17	0020034685	Combustion chamber base E	
18	0020034686	Cover, TURBO E	
19	0020035279	FRONT PANEL	
20	0020034690	Operation panel strip	
21	0020034691	Self adhes. seal tape 15X218X10	
22	0020034692	Self adhes. seal tape 15X488X10	
23	0020034693	Wire gripping 057656	
24	0020035609	sWire gripping 0174820	
25	0020034697	Gasket with glass	
26	0020027611	Expansion vessel 5L-W	
27	0020034699	Combustion chamber cover-front	
28	0020034700	Insulation SK 242x290	
29	0020034701	Flue diaphragm D43	

Wall-hung boilers (fan-assisted combi)

23BTVERD Lynx

00 - General view

Поз.	Артикульный номер	Описание	Указание, замечание
30	0020034702	Flue collector-E	
31	0020035103	Label PROTHERM 70	
32	0020034704	Wire - interface	
33	0020027613	Sensor to surface D 13-15mm	
34	S5742700	Spark generator	
35	0020014183	O-ring, (x10)	
36	0020034720	Clip tube HSW E	
37	0020034721	O-ring, 3.6x13, (x10)	
38	0020034722	Clip tube exp.vessel E	
39	0020034723	O-ring, 2.4x9.6, (x10)	
40	0020034724	Control panel string	
41	0020034725	Clip gas valve SD	
42	S1047000	Printed circuit board	
43	S1071600	Gas valve assembly, G20, G25	23BTVERD Lynx, natural gas
43	S1071500	Gas valve assembly, G30	23BTVERD Lynx, LPG
44	0020034750	Wire - room thermostat	
45	0020034751	Hydroblock IWC-DIN	not available, it is posible to order only single parts, see hydraulic parts 23BXVE Этот артикул более не доступен.
46	0020027671	Air pressure switch HC	
47	0020027622	Sensor immersion SO11010	
48	0020034763	Exchanger holder L	
49	0020034764	Exchanger holder R	
50	0020034765	Insulation of com. cham. 270X215	
51	0020034766	Insulation of com.cham.167x189	
52	0020035569	DIAPHRAGME GAZ 5,65	
53	0020034771	Pipe - Expansion vessel	
54	0020034773	Air pressure switch holder - HC	
55	0020043859	Tube HW-inlet	
56	0020043860	Tube HW-outlet	
57	0020034819	Tube DHW-inlet	

Wall-hung boilers (fan-assisted combi)

23BTVERD Lynx

00 - General view

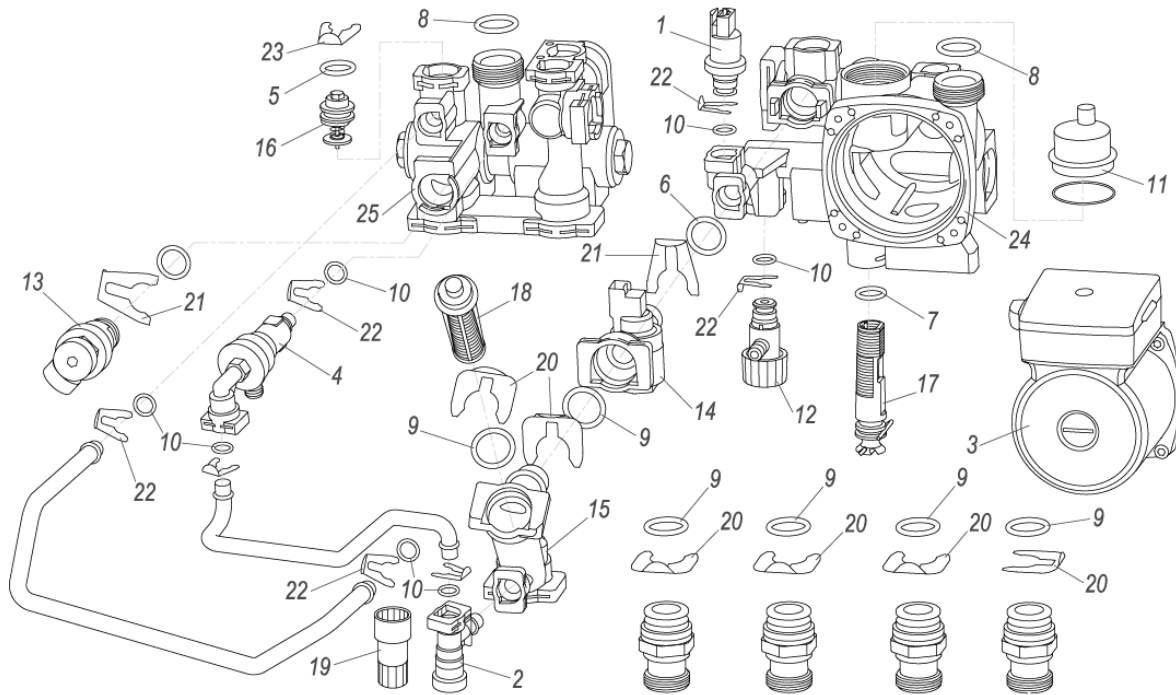
Поз.	Артикульный номер	Описание	Указание, замечание
58	0020034820	Tube DHW-outlet	
59	0020034821	Gas Tube	
60	2000801914	Interface card	
61	0020035564	Harness 23BTVEUK	
62	0020034838	Wire-igniter UK	
63	0020035528	Ignition electrode DIN	
64	0020034840	Ionisation electrode DIN	
65	0020043871	Clip of support	
66	0020035604	Burner parts-U	
67	0020034914	Wire GND (Q254)	
68	0020043918	Clip D 20,2	
69	0020034919	Handle of safety valve	
70	0020044002	Flue system reduction SD	Unavailable!
71	0020035328	Frame, support UNI - SP	
72	0020035271	Cover, side R v.17 - SP	
73	0020035272	Cover, side L v.17 - SP	
74	0020034983	El.box-125891	
75	0020034984	El.box cover-123003	
76	2000801889	Manifold - Gas G20	
77	0020035039	Wire mains inlet v.2	
78	0020035041	Turbo chamber base E DIN v.2	
79	0020035054	Filling loop-DINSV	not available
80	0020035064	Control panel, 23BXVE	
81	0020015115	Knobs - control panel (3+3+1)	
82	0020025235	Temp. sensor 1016-to surface	

Wall-hung boilers (fan-assisted combi)

23BTVERD Lynx

08 - Hydraulic parts 23BXVE (IWC-DIN)

HYDROBLOK 23BXVE
(IWC-DIN)



02 - 0 - 08 - 05

Wall-hung boilers (fan-assisted combi)

23BTVERD Lynx

08 - Hydraulic parts 23BXVE (IWC-DIN)

Поз.	Артикульный номер	Описание	Указание, замечание
001	S5720500	Pressure sensor	
002	S1007000	Filling cock	
003	0010035670	Pump, high-efficiency	
003	0010030686	Plug	
003	0010026674	Plug	
003	S1005200	Motor pump	available until 2021, then replaced by HE pump
004	0020027681	Return valve-plastic	
005	2000801943	O-ring, bypass, (x25)	
006	2000801948	O-ring, (x20)	
007	S5466400	O-ring, (x20)	
008	S5466500	O-ring, (x20)	
009	2000801956	O-ring, (x10)	
010	2000801950	O-ring, for pipe, (x20)	
011	S1005600	Automatic de-aerator	
012	S1006300	Tap drain piece	
013	0020047005	Pressure relief valve, 3 bar	
014	2000801910	Flow sensor, black with cable	
015	S1020600	Pipe Z	
016	S5261700	Bypass	
017	2000801897	Filter central heating	
018	S1006900	Filter d.h.w	
019	S1006800	Handle extension adapter	
020	S5455000	Clip, 20 mm, (x10)	
021	S5465700	Clip, 18 mm, (x10)	
022	S5466200	Clip, 10 mm, (x10)	
022	2000801951	Clip, (x10)	Replaced by S5466200
023	S5490900	Clip, 13.5 mm, (x15)	
024	2000801900	Block pump	
025	0020015126	Diverter valve	it`s necessary to use safety valve from the boiler instead of the one assembled on this spare part or order safety valve pos. 13 separately