



SPARE PARTS EXPLODED VIEW
STORAGE ELECTRIC WATER HEATERS

Model

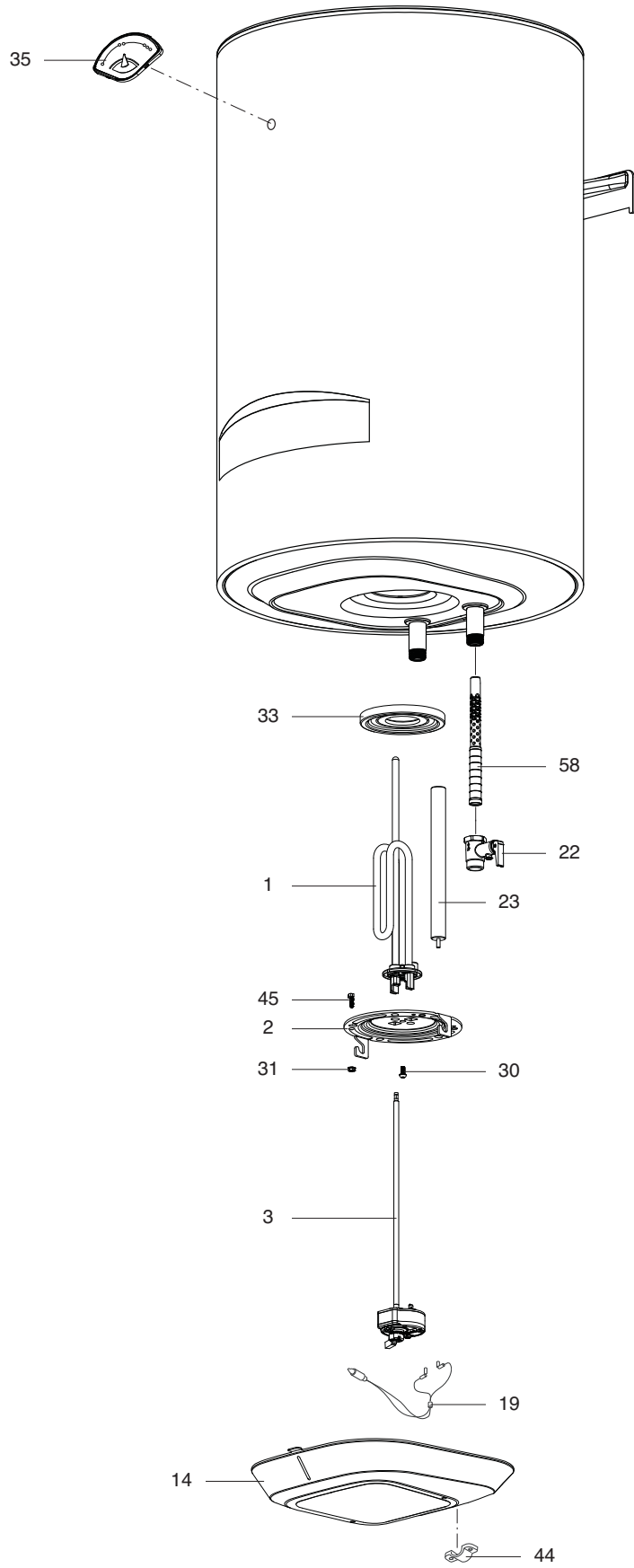
SG1 V

R8218110-02 - 29/11/2018

SG1 V

Storage Electric Water Heaters

1	3700511	SG1 50 V	06-2018	-
2	3201500	SG1 50 V	12-2018	-
3	3700512	SG1 80 V	06-2018	-
4	3201501	SG1 80 V	12-2018	-
5	3700513	SG1 100 V	06-2018	-
6	3201502	SG1 100 V	12-2018	-
Col	Reference	Model type	Begin	End



☉⇒	Description	Manf. Pt. N	Type	<div style="display: flex; justify-content: space-between; align-items: center;"> <div style="writing-mode: vertical-rl; transform: rotate(180deg); font-size: small;"> SG1 150 V (3700511) SG1 150 V (3201500) SG1 80 V (3700512) SG1 80 V (3201501) SG1 100 V (3700513) SG1 100 V (3201502) </div> <div style="border: 1px solid black; padding: 2px;">31</div> </div>																		From	to
				1	2	3	4	5	6	7	8	9	10	11	12	13	14	15	16	17	18		
0001	НАГРЕВАТЕЛЬНЫЙ ЭЛЕМЕНТ 1500W 220-240V	65111790		●	●	●	●	●	●														
0002	ФЛАНЕЦ (5 БОЛТОВ)	65111789		●	●	●	●	●	●														
0003	ТЕРМОСТАТ	65112657		●	●																		
	ТЕРМОСТАТ	691214				●	●	●	●														
0014	КРЫШКА ПЛАСТИКОВАЯ	65180169		●	●	●	●	●	●														
0019	ИНДИКАТОРНАЯ ЛАМПА	993025		●	●	●	●	●	●														
0022	ПРЕДОХРАНИТЕЛЬНЫЙ КЛАПАН (1/2" 8,5 БАР)	571730		●	●	●	●	●	●														
0023	МАГНИЕВЫЙ АНОД D:25,5 L:230 M5-M8	993014-01		●	●	●	●	●	●														
0030	ВИНТ М6Х12	993000		●	●	●	●	●	●														
0031	ГАЙКА М6	994140		●	●	●	●	●	●														
0033	ПРОКЛАДКА ФЛАНЦА	65111788		●	●	●	●	●	●														
0035	ТЕРМОМЕТР	65153774		●	●	●	●	●	●														
0044	ЗАЖИМ ДЛЯ КАБЕЛЯ	573266		●	●	●	●	●	●														
0045	ВИНТ М6Х20	65151225-FA		●	●	●	●	●	●														
0058	РАССЕКАТЕЛЬ ВОДЫ (1/2" Н=70)	65117462		●	●	●	●	●	●														

LIST OF THE ABBREVIATIONS

HW	: Hot water.
CW	: Cold water.
C	: Ceramic resistance (normal heating).
Ca	: Ceramic resistance (accelerated heating)
TP	: Immersion heater.
1F	: With fittings.
2F	: Without fittings.
3F	: With fittings and another outlet connection.
AMI	: With mixing valve.
SMI	: Without mixing valve.
PUISS	: Power of th appliance.
PN	: Appliance with normal pression.
LP	: Appliance with low pression.
PV	: Appliance with variable power.
PF	: Appliance with fixed power.

IDENTIFICATION PLATE

SERIAL NUMBER

6 Characters :
 Year of manufacture 03 09 08 Manufacturing day
 Month of manufacture

9 Characters :
 Year of manufacture M 12 10 0606 Sequential number
 Month of manufacture

14 Characters :
 SI-V-0B0 45 07 0001
 Sequential number
 Year of manufacture : 6 → 2004
 Month of manufacture : → 25 → January 43 → July 7 → 2005
 13 → February 29 → August 8 → 2006
 32 → March 40 → September etc ...
 35 → April 38 → October
 39 → May 51 → November
 45 → June 12 → December
 Product model

15 Characters :
 Year of manufacture 02 11 00001 007843 Code appareil
 Month of manufacture Sequential number

21 Characters :
 Product reference 3200050 XX 08115 0000001
 Sequential number
 Year (08) / Manufacturing day (115)

22 Characters :
 Product reference 3200050 XX 070115 0000001
 Sequential number
 Year (07) / Month (01) / Manufacturing day (15)

The indications mentioned on the prices, commercial or technical literature and the scheme are written for your guidance and are available at a given time. The CONSTRUCTOR retains the power to modify the presentation, the form, the size, the conception or the material of the products.