



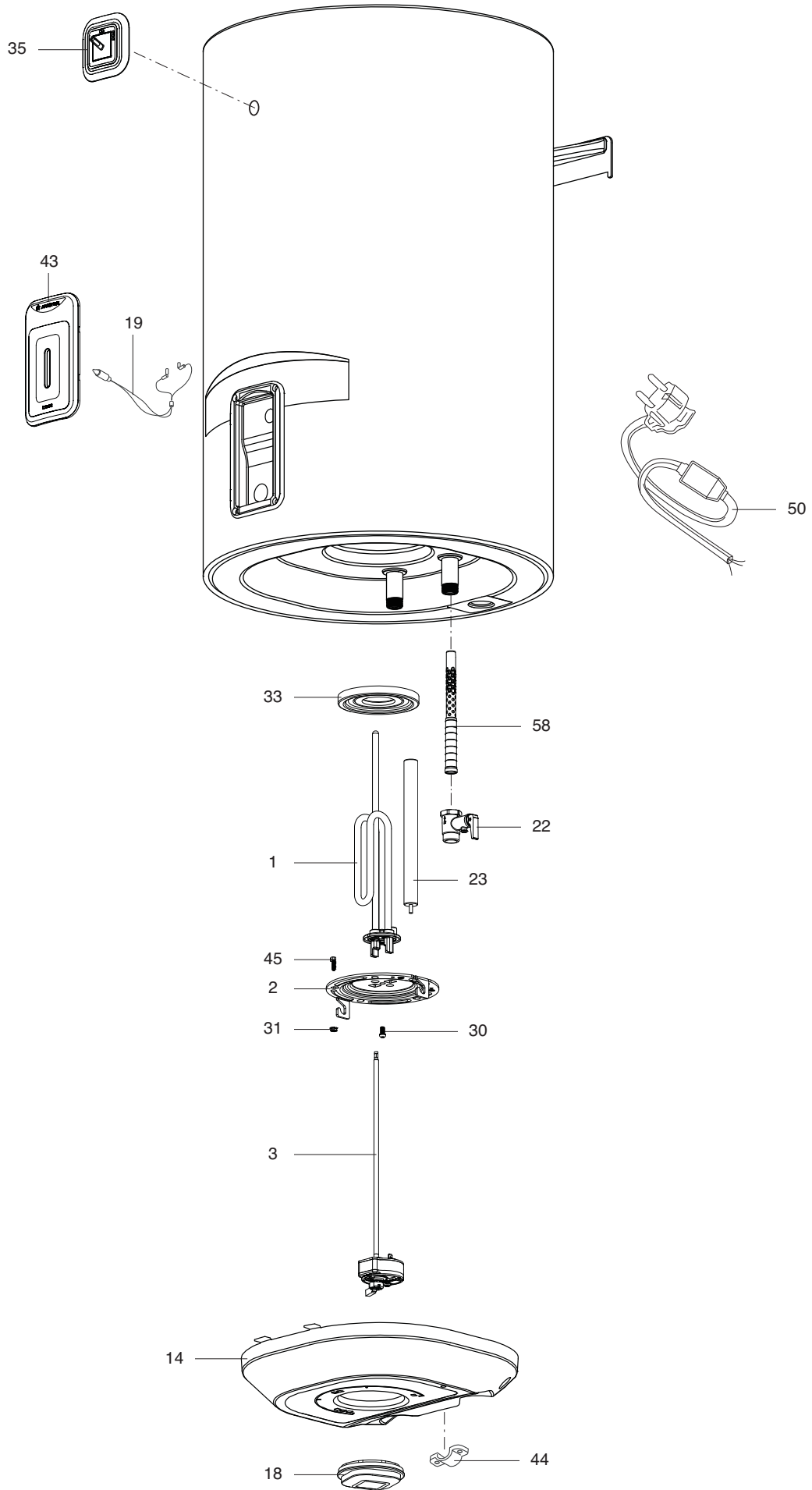
SPARE PARTS EXPLODED VIEW
STORAGE ELECTRIC WATER HEATERS
Model
LYDOS

R8218088-02 - 26/06/2018

LYDOS

Storage Electric Water Heaters

1	3201825	LYDOS R 50 V	06-2018	-
2	3201971	LYDOS R ABS 50 V	06-2018	-
3	3201827	LYDOS R 80 V	06-2018	-
4	3201972	LYDOS R ABS 80 V	06-2018	-
5	3201829	LYDOS R 100 V	06-2018	-
6	3201973	LYDOS R ABS 100 V	06-2018	-
Col	Reference	Model type	Begin	End



	Description	Manf. Pt. N	Type																					
				1	2	3	4	5	6	7	8	9	10	11	12	13	14	15	16	17	18	From	to	
0001	НАГРЕВАТЕЛЬНЫЙ ЭЛЕМЕНТ 1500W 220-240V	65111790		•	•	•	•	•	•															
0002	ФЛАНЕЦ НА 5 БОЛТАХ	65111789		•	•	•	•	•	•															
0003	ТЕРМОСТАТ	65117588		•	•																			
	ТЕРМОСТАТ	65117589				•	•	•	•															
0014	КРЫШКА ПЛАСТИКОВАЯ	65117919		•	•	•	•	•	•															
0018	РУЧКА РЕГУЛИРОВКИ	65117920		•	•	•	•	•	•															
0019	ИНДИКАТОРНАЯ ЛАМПА	993025		•	•	•	•	•	•															
0022	ПРЕДОХРАНИТЕЛЬНЫЙ КЛАПАН (1/2" 8,5 БАР)	571730		•	•	•	•	•	•															
0023	МАГНИЕВЫЙ АНОД D:25,5 L:230 M5-M8	993014-01		•	•	•	•	•	•															
0030	ВИНТ М6Х12	993000		•	•	•	•	•	•															
0031	ГАЙКА М6	994140		•	•	•	•	•	•															
0033	ПРОКЛАДКА ФЛАНЦА	65111788		•	•	•	•	•	•															
0035	ТЕРМОМЕТР	65117459		•	•	•	•	•	•															
0043	ПАНЕЛЬ УПРАВЛЕНИЯ В СБОРЕ	65117921		•	•	•	•	•	•															
0044	ЗАЖИМ ДЛЯ КАБЕЛЯ	573266			•			•		•														
0045	ВИНТ М6Х20	65151225-FA		•	•	•	•	•	•															
0050	КАБЕЛЬ ПИТАНИЯ С УЗО (10А 1,0м)	65150868			•			•		•														
0058	РАССЕКАТЕЛЬ ВОДЫ (1/2" H=70)	65117462		•	•	•	•	•	•															

LYDOS R 80 V
 LYDOS R ABS 80 V
 LYDOS R 80 V
 LYDOS R ABS 80 V
 LYDOS R 100 V
 LYDOS R ABS 100 V

LIST OF THE ABBREVIATIONS

HW	: Hot water.
CW	: Cold water.
C	: Ceramic resistance (normal heating).
Ca	: Ceramic resistance (accelerated heating)
TP	: Immersion heater.
1F	: With fittings.
2F	: Without fittings.
3F	: With fittings and another outlet connection.
AMI	: With mixing valve.
SMI	: Without mixing valve.
PUISS	: Power of th appliance.
PN	: Appliance with normal pression.
LP	: Appliance with low pression.
PV	: Appliance with variable power.
PF	: Appliance with fixed power.

IDENTIFICATION PLATE

SERIAL NUMBER

6 Characters :
 Year of manufacture 03 09 08 Manufacturing day
 Month of manufacture

9 Characters :
 Year of manufacture M 12 10 0606 Sequential number
 Month of manufacture

14 Characters :
SI-V-0B0 45 07 0001
 Sequential number
 Year of manufacture : 6 → 2004
 Month of manufacture : → 25 → January 43 → July 7 → 2005
13 → February 29 → August 8 → 2006
32 → March 40 → September etc ...
35 → April 38 → October
39 → May 51 → November
45 → June 12 → December

15 Characters :
02 11 00001 007843
 Year of manufacture
 Month of manufacture Code appareil
 Sequential number

21 Characters :
3200050 XX 08115 0000001
 Product reference Sequential number
 Year (08) / Manufacturing day (115)

22 Characters :
3200050 XX 070115 0000001
 Product reference Sequential number
 Year (07) / Month (01) / Manufacturing day (15)

The indications mentioned on the prices, commercial or technical literature and the scheme are written for your guidance and are available at a given time. The CONSTRUCTOR retains the power to modify the presentation, the form, the size, the conception or the material of the products.