

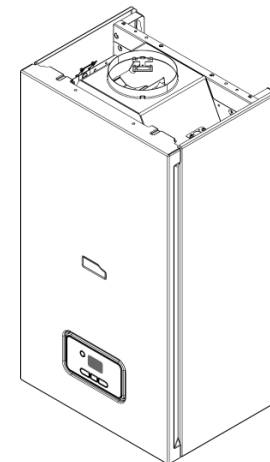
## Spare parts catalogues



---

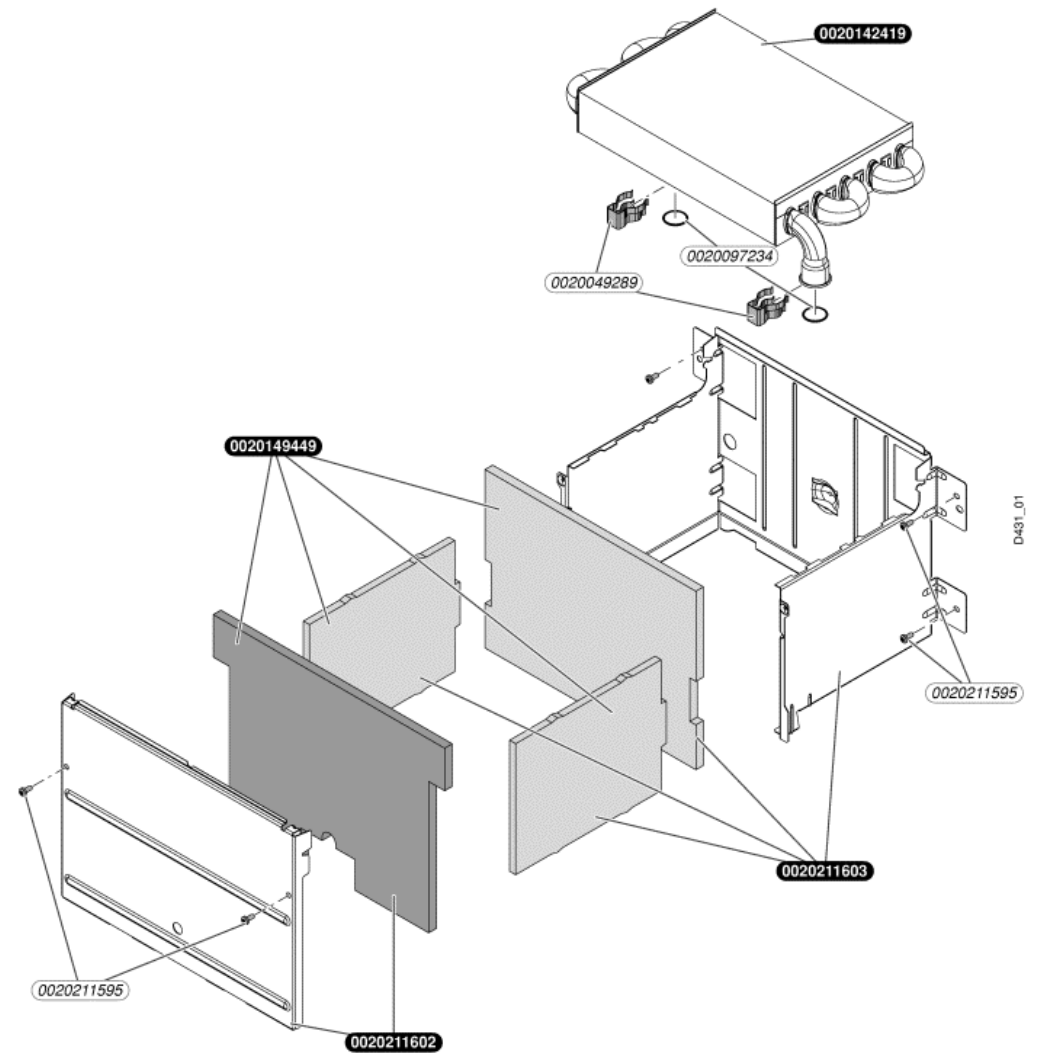
### Themaclassic C 25

---

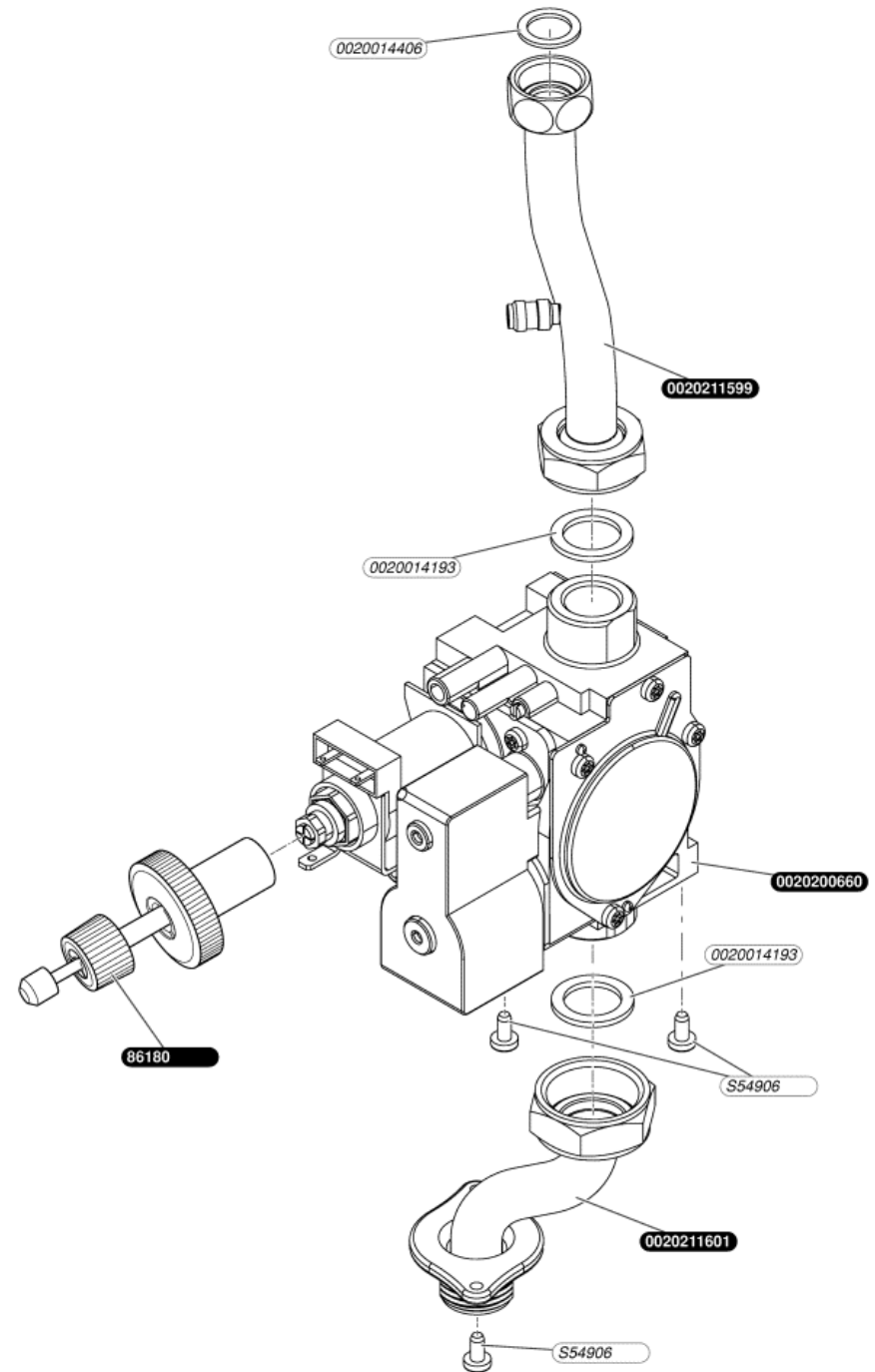


4433\_01

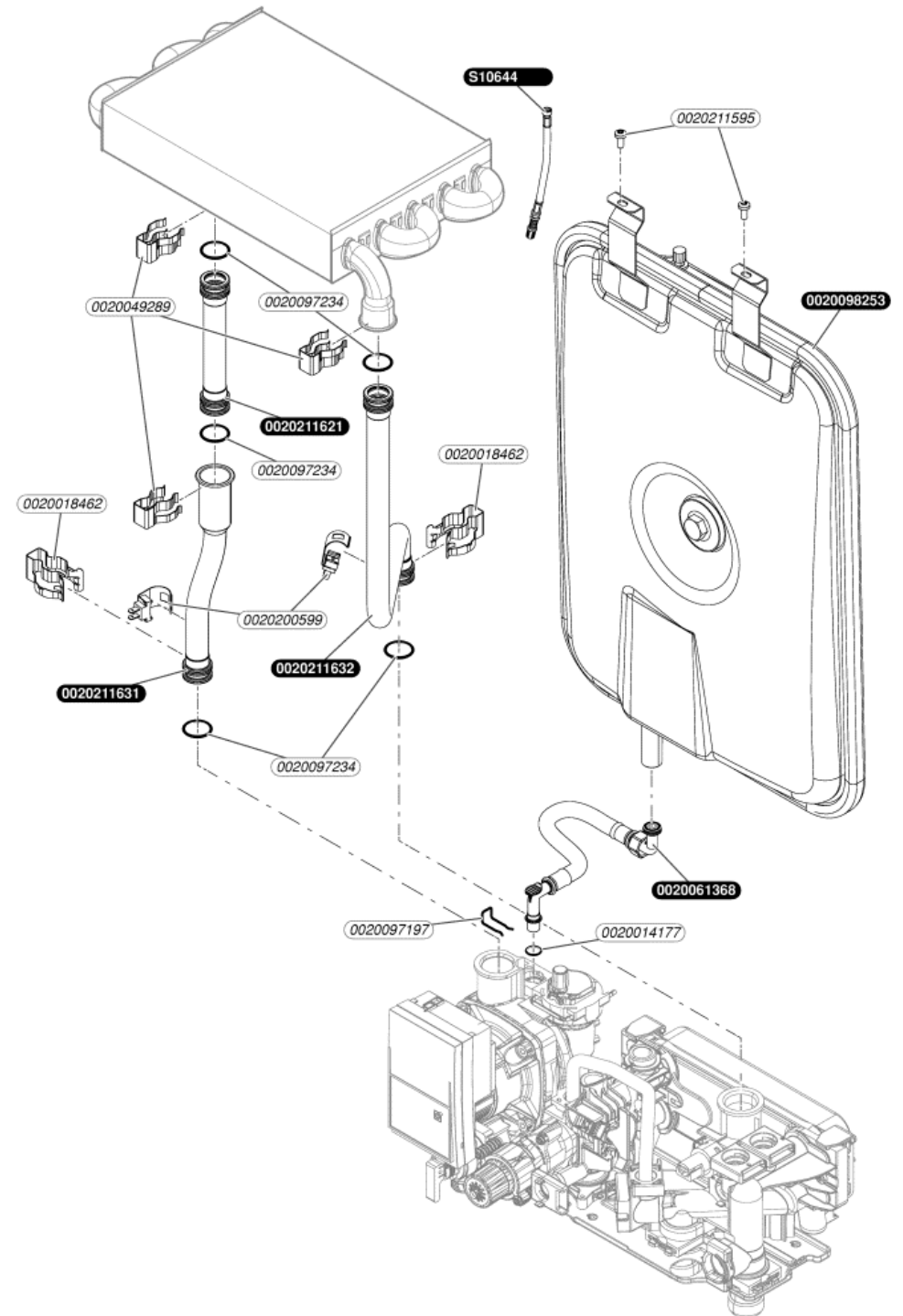
0020049289	1	Clip
0020097234	10	O-ring (PK10)
0020142419	1	Heat exchanger
0020149449	1	Insulation (Set)
0020211595	10	Screw, (PK10)
0020211602	1	Combustion chamber cover
0020211603	1	Combustion chamber



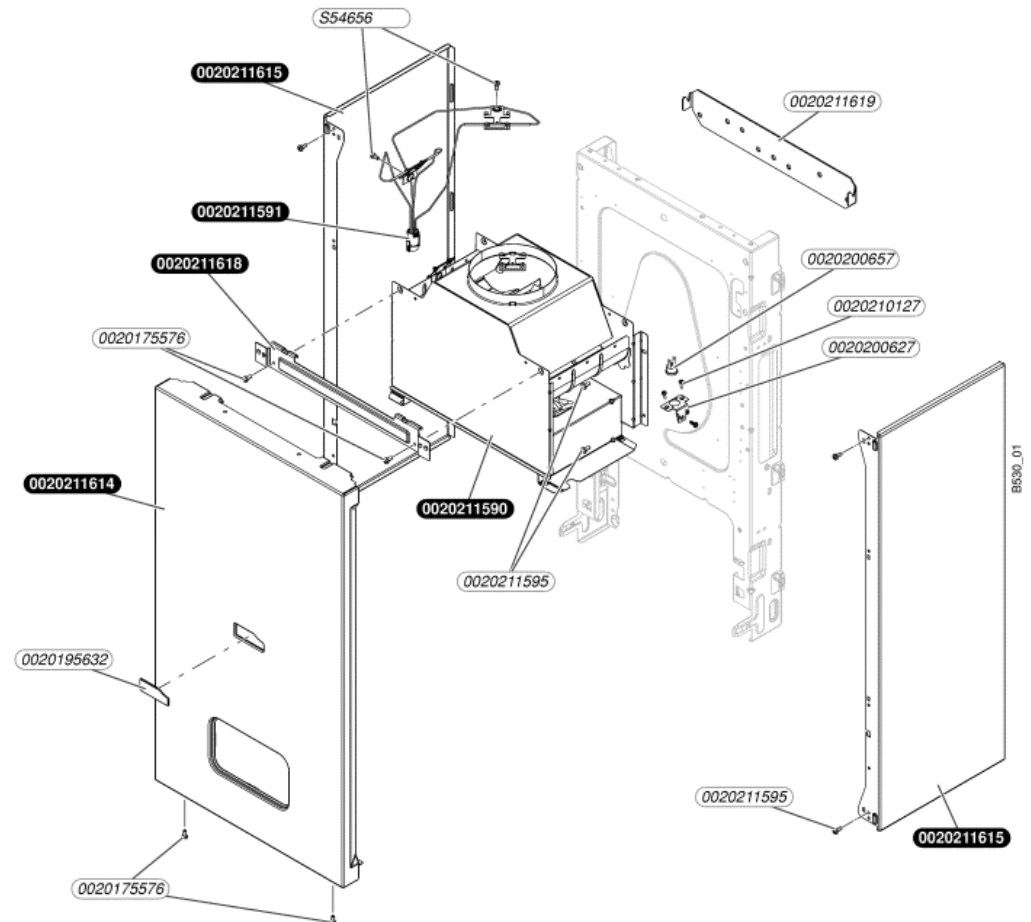
0020014193	10	Sealing ring (PK10)
0020014406	10	Sealing ring (PK10)
0020200660	1	Gas valve
0020211599	1	Gas pipe
0020211601	1	Gas pipe
86180	1	Tools
S54906	50	Screw (PK50)



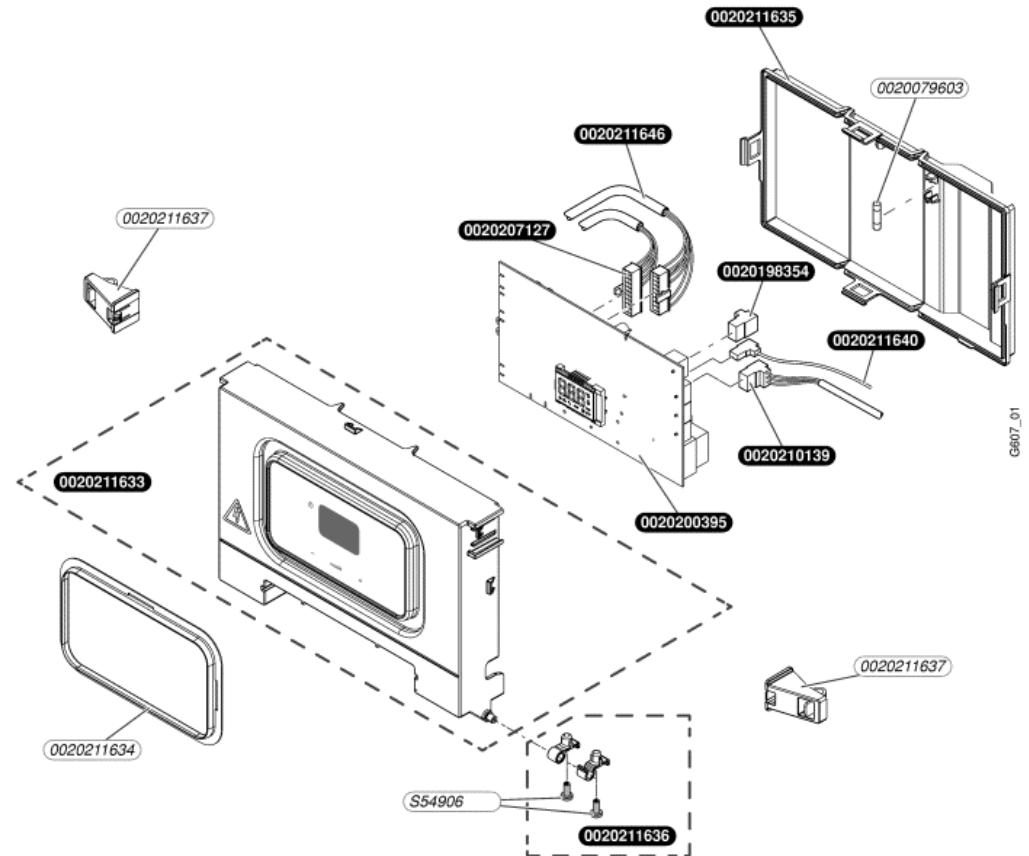
0020014177	10	O-ring (PK10)
0020018462	10	Clip (PK10)
0020049289	1	Clip
0020061368	1	Hose expansion vessel
0020097197	10	Clip (PK10)
0020097234	10	O-ring (PK10)
0020098253	1	Expansion vessel 7L
0020200599	1	Sensor, NTC 19mm
0020211595	10	Screw, (PK10)
0020211621	1	Tube
0020211631	1	Tube
S10644	1	Hose

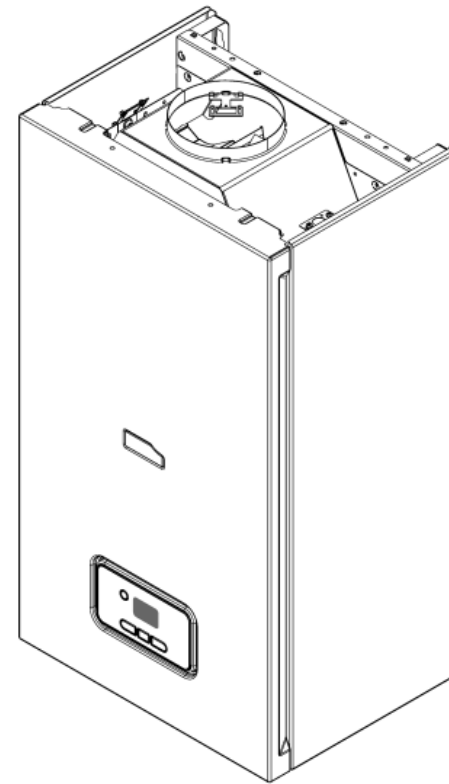


0020175576	10	Screw (PK10)
0020195632	1	Name badge
0020200627	1	Support
0020200657	1	Sensor
0020210127	10	Screw (PK10)
0020211590	1	Draught diverter
0020211591	1	Flue sensor
0020211595	10	Screw, (PK10)
0020211614	1	Front panel
0020211615	1	Side panel
0020211618	1	Support
0020211619	1	Support
S54656	50	Screw 4,2x13,5 (PK50)

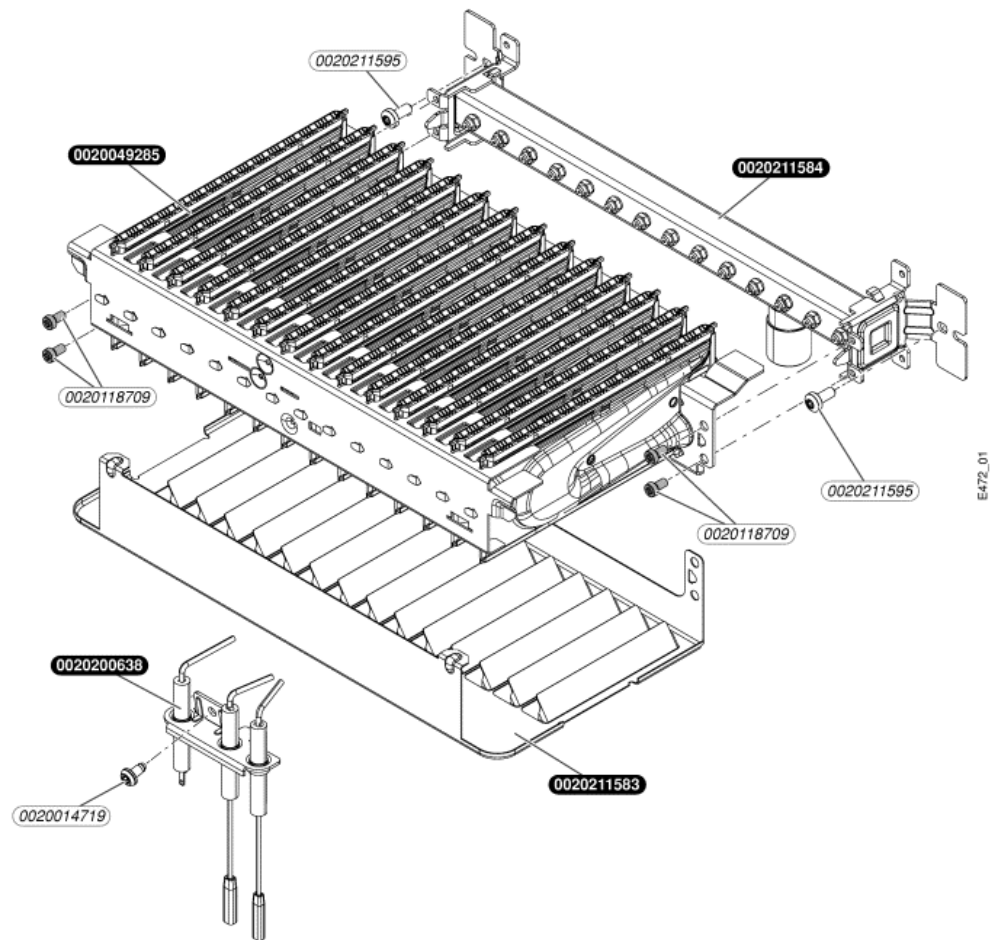


0020079603	10	Fuse 2,0 A T2H (PK10)
0020198354	1	Connection
0020200395	1	PCB
0020207127	1	Wiring harness
0020210139	1	Cable, pump
0020211633	1	Casing, front
0020211634	1	Spacer
0020211635	1	Back panel
0020211636	2	Hinge, (PK2)
0020211637	1	Support
0020211640	1	Cable
0020211646	1	Wiring harness
S54906	50	Screw (PK50)



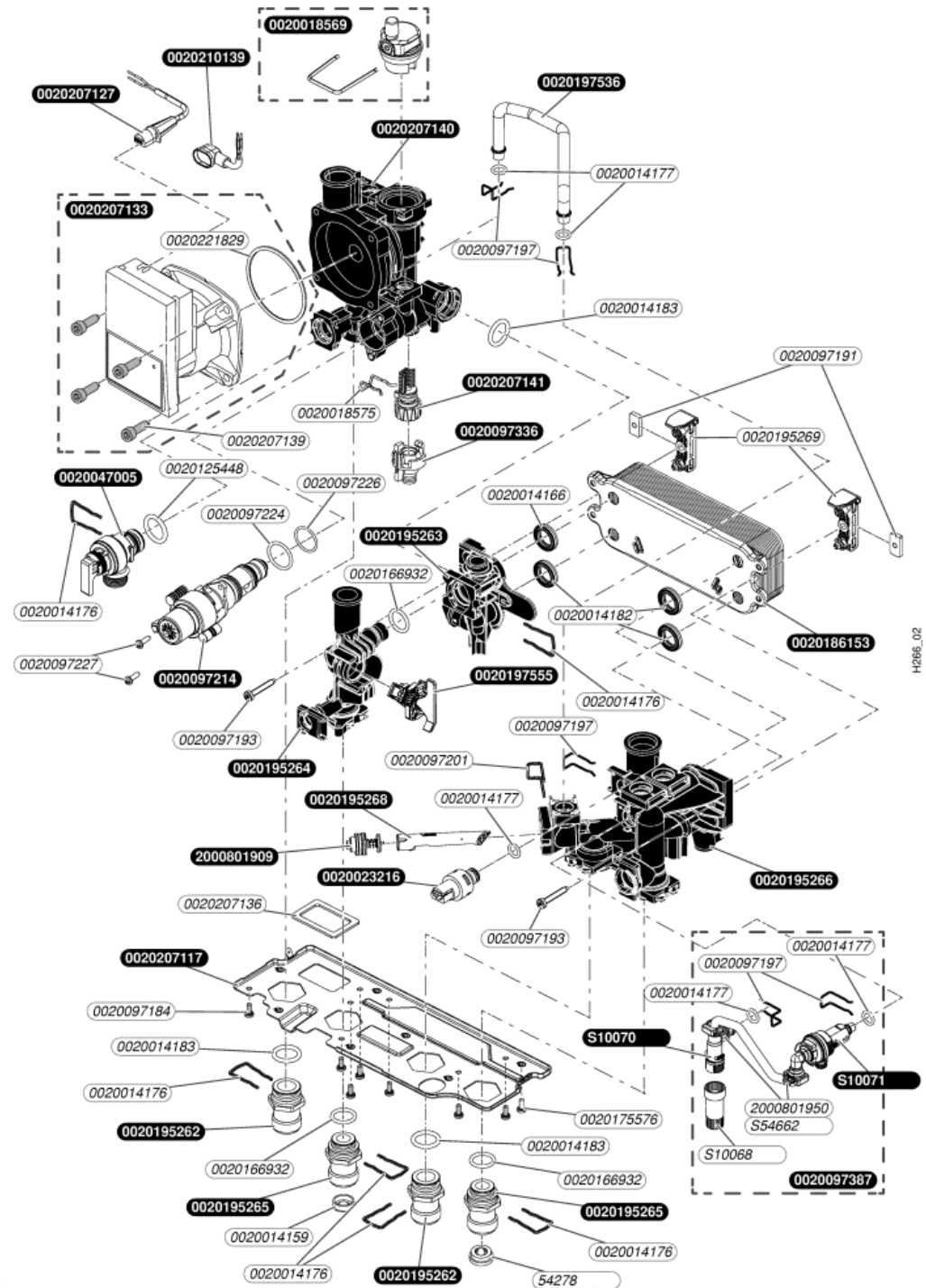


0020014719	25	Screw (PK25)
0020049285	1	Burner, 14 blades (packaged)
0020118709	10	Screw, 4 x 9.5 (PK10)
0020200638	1	Electrode
0020211583	1	Deflector
0020211584	1	Burner rail
0020211595	10	Screw, (PK10)



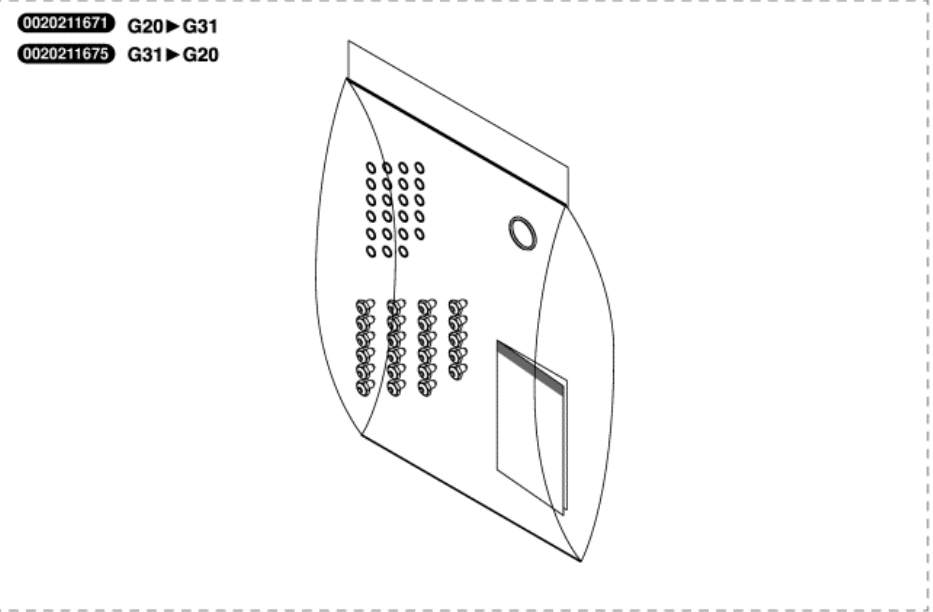


0020014159	1	Filter D=20mm
0020014166	10	Gasket C-Typ (PK10)
0020014176	10	Clip (PK10)
0020014177	10	O-ring (PK10)
0020014182	10	Gasket Type-C (PK10)
0020014183	10	O-ring (PK10)
0020018569	1	Automatic air vent
0020018575	10	Clip (PK10)
0020023216	1	Pressure sensor HW
0020047005	1	Pressure relief valve, 3 bar
0020097184	10	Screw (PK10)
0020097191	10	Nut M5-22 (PK10)
0020097193	10	Screw M5x33 (PK10)
0020097197	10	Clip (PK10)
0020097201	10	Clip (PK10)
0020097214	1	Diverter valve 3 way
0020097224	10	O-ring (PK10)
0020097226	10	O-ring (PK10)
0020097227	10	Screw (PK10)
0020097336	1	Tap drain piece
0020097387	1	Tube
0020125448	10	O-ring (PK10)
0020166932	10	O ring (PK10)
0020175576	10	Screw (PK10)
0020186153	1	Heat exchanger, 14 plates
0020195262	1	Nipple
0020195263	1	Hydraulic block, R-SD inlet
0020195264	1	Sensor
0020195265	1	Nipple G3/4 SD, DW
0020195266	1	Hydraulic block, R-SD outlet
0020195268	1	Filter
0020195269	1	Support bracket
0020197536	1	Tube, bypass R-SD
0020197555	1	Flow sensor
0020207117	1	Support bracket
0020207127	1	Wiring harness
0020207133	1	Pump motor
0020207136	1	Gasket
0020207139	4	Screw, pump (x4)
0020207140	1	Housing, pump R-SD
0020207141	1	Tap drain piece R-SD
0020210139	1	Cable, pump
0020221829	1	O-ring
2000801909	1	By-pass
2000801950	20	O-ring for pipe (PK20)
54278	10	Flow limiter 8 L (PK10)
S10068	1	Handle extension adapter



<b>S10070</b>	<b>1</b>	<b>Filling cock</b>
<b>S10071</b>	<b>1</b>	<b>Non-return valve</b>
<b>S54662</b>	<b>10</b>	<b>Clip 10mm (PK10)</b>

0020211671	1	Conversion kit to G30/G31
0020211675	1	Conversion kit to G20/G25.1



**Comment:**

**Comment:**

