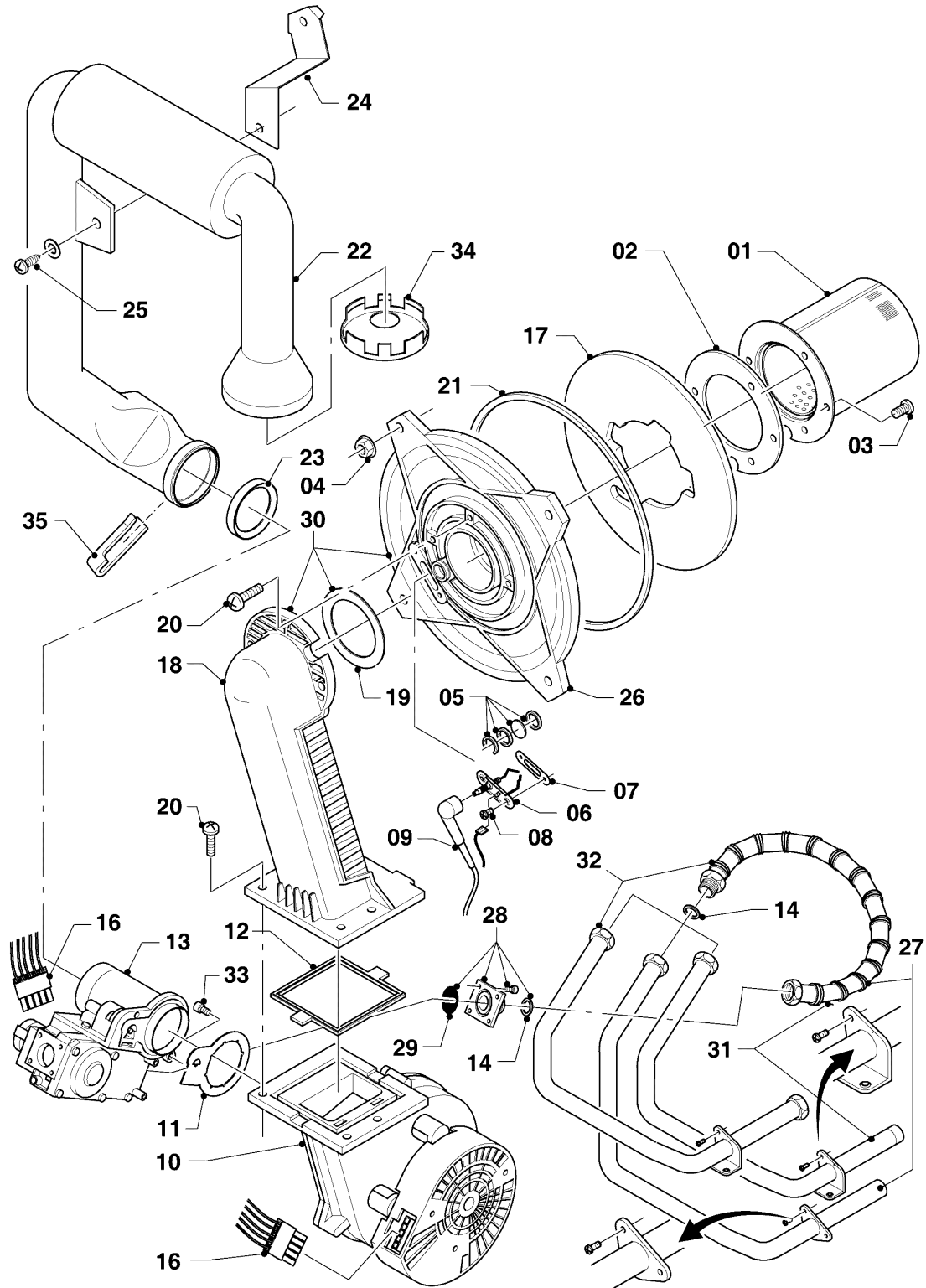


Wall-hung boilers (condensing system) VC, VU

VU OE 376/3-5

04 - Burner



02-04-038.07

Wall-hung boilers (condensing system) VC, VU

VU OE 376/3-5

04 - Burner

Поз.	Артикульный номер	Описание	Указание, замечание
00	0020042518	Conversion set H/P (only documents)	E -> P
00	0020042519	Conversion set P/H (only documents)	P -> E
01	050430	Burner	VU OE 376/3-5, with parts 02, 03
02	981103	Gasket burner	
03	105900	Screw, (x10)	
04	0020026537	Nut, M6, (x5)	
05	161245	Inspection glass	
06	090709	Electrode	with parts 07, 08
07	981330	Gasket electrode	
08	0010027341	Screw, (x10) ISO 7045	
09	193590	Ignition cable	
09	0020075412	Plug (ignition)	not shown
10	193593	Fan	with parts 11, 12, 20, 33
11	981104	Gasket	
12	193594	Gasket	
13	053500	Gas section	VU OE 376/3-5, with parts 11, 14, 29
14	981142	Sealing ring, (x10)	
16	0020025036	Harness	VU OE 376/3-5
17	193595	Insulation	with parts 02, 03
18	-	-	not available as spare part, see pict.-no. 30
19	981333	Seal heatexchanger door / mixing arm	
20	193597	Screw, (x10)	
21	0020025929	Maintenance kit I	with parts 04, 07, 14
22	0020025039	Air inlet duct	VU OE 376/3-5, with part 23
23	981111	Gasket	
24	103405	Support	
25	0020133833	Screw, (x10)	
26	-	-	not available as spare part, see pict.-no. 30
27	-	-	not necessary
28	0020010868	Adaptor piece (gas valve)	

Wall-hung boilers (condensing system) VC, VU

VU OE 376/3-5

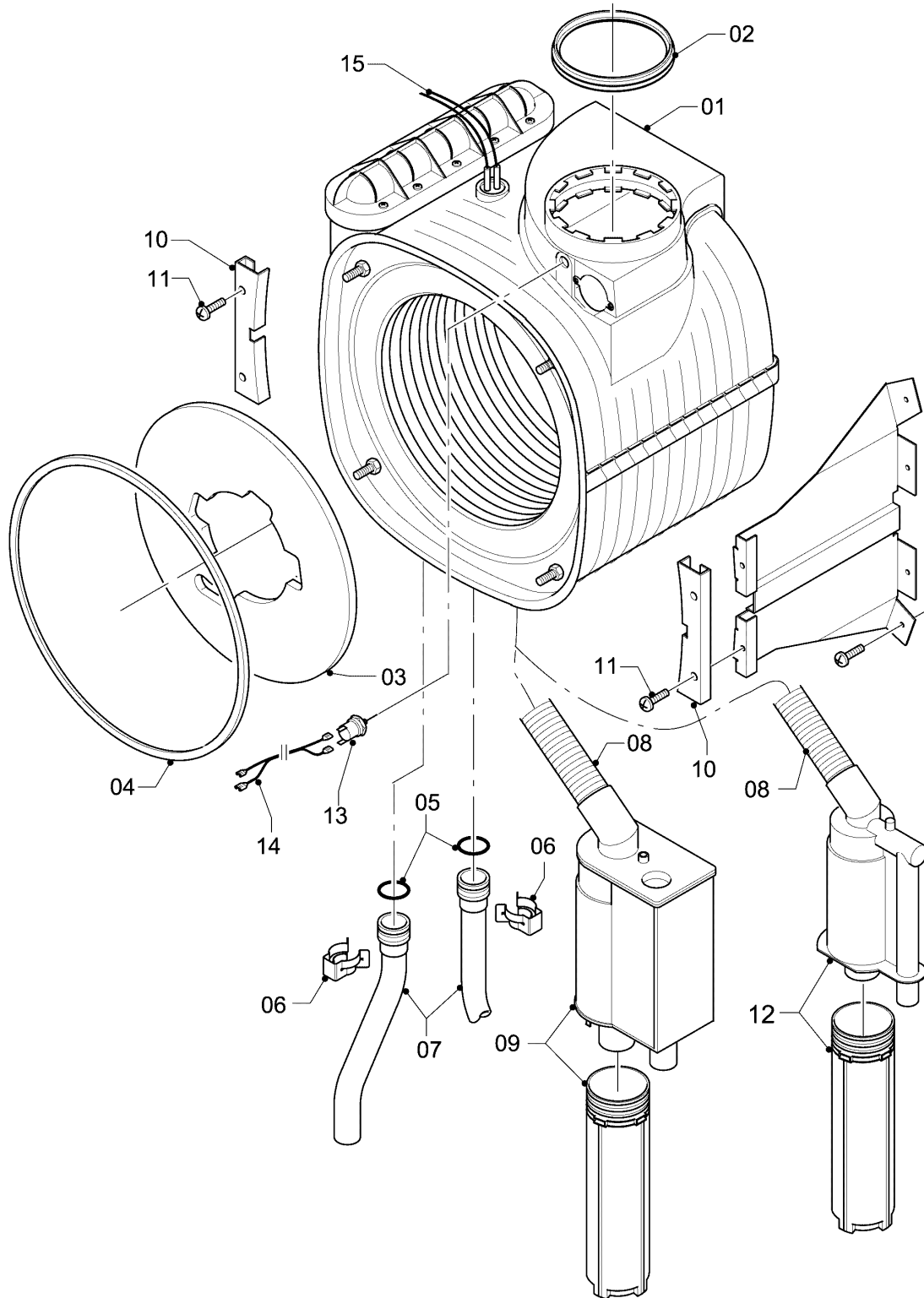
04 - Burner

Поз.	Артикульный номер	Описание	Указание, замечание
29	0020133834	O-ring, (x10)	
30	0020010867	Burner flange, with elbow	with parts 02, 03, 04, 05, 07, 08, 12, 14, 17, 19, 20, 21
31	0020046863	Gas pipe	with parts 14, 28
32	-	-	not necessary
33	509685	Screw, (x10)	
34	-	-	not necessary
35	-	-	not necessary for these appliances

Wall-hung boilers (condensing system) VC, VU

VU OE 376/3-5

06 - Heat exchanger



02-06-046.04

Wall-hung boilers (condensing system) VC, VU

VU OE 376/3-5

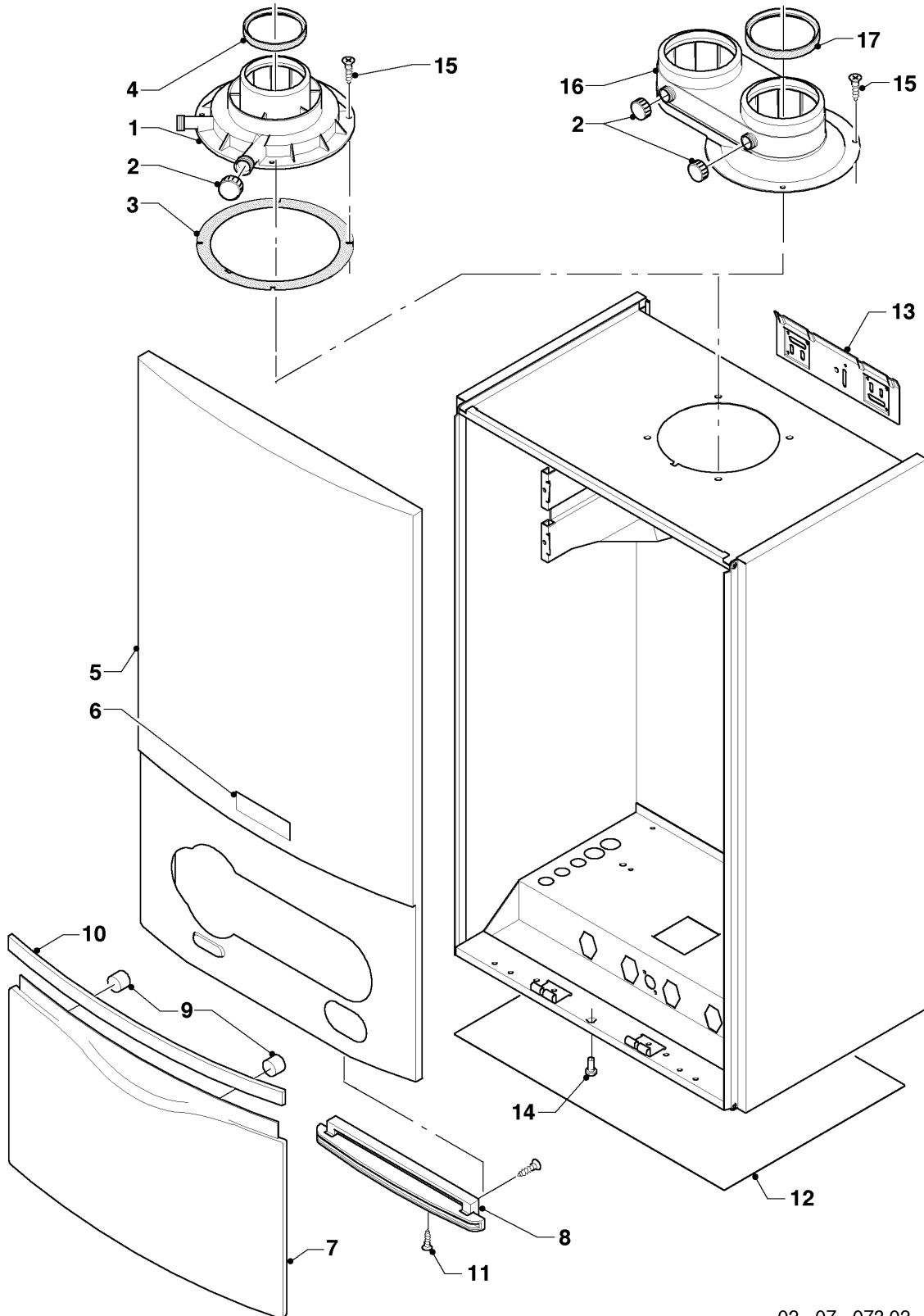
06 - Heat exchanger

Поз.	Артикульный номер	Описание	Указание, замечание
01	0020135134	Heat exchanger	VU OE 376/3-5, with parts 02, 04-06
01	0020093190	Insulation, 16 mm with nut and washer	VU OE 376/3-5, for heat exchanger, not shown
02	981227	Lip seal, DN 80 EPDM	
03	193595	Insulation	
04	0020025929	Maintenance kit I	
05	103415	O-ring, (x10)	
06	103417	Clip, (x10)	
07	-	-	see main component 08a
08	-	-	not available as spare part, see pict.-no. 12
09	-	-	not necessary
10	0020142174	Support, heat exchanger	VU OE 376/3-5, with part 11
11	178968	Screw, (x10)	
12	180984	Condensate trap	with part 08
12	0020077919	O-ring, (x5)	not shown, condensate trap lower
13	-	-	not necessary
14	-	-	not necessary
15	0020135111	Cable	

Wall-hung boilers (condensing system) VC, VU

VU OE 376/3-5

07 - Casing parts



02 - 07 - 073.02

Wall-hung boilers (condensing system) VC, VU

VU OE 376/3-5

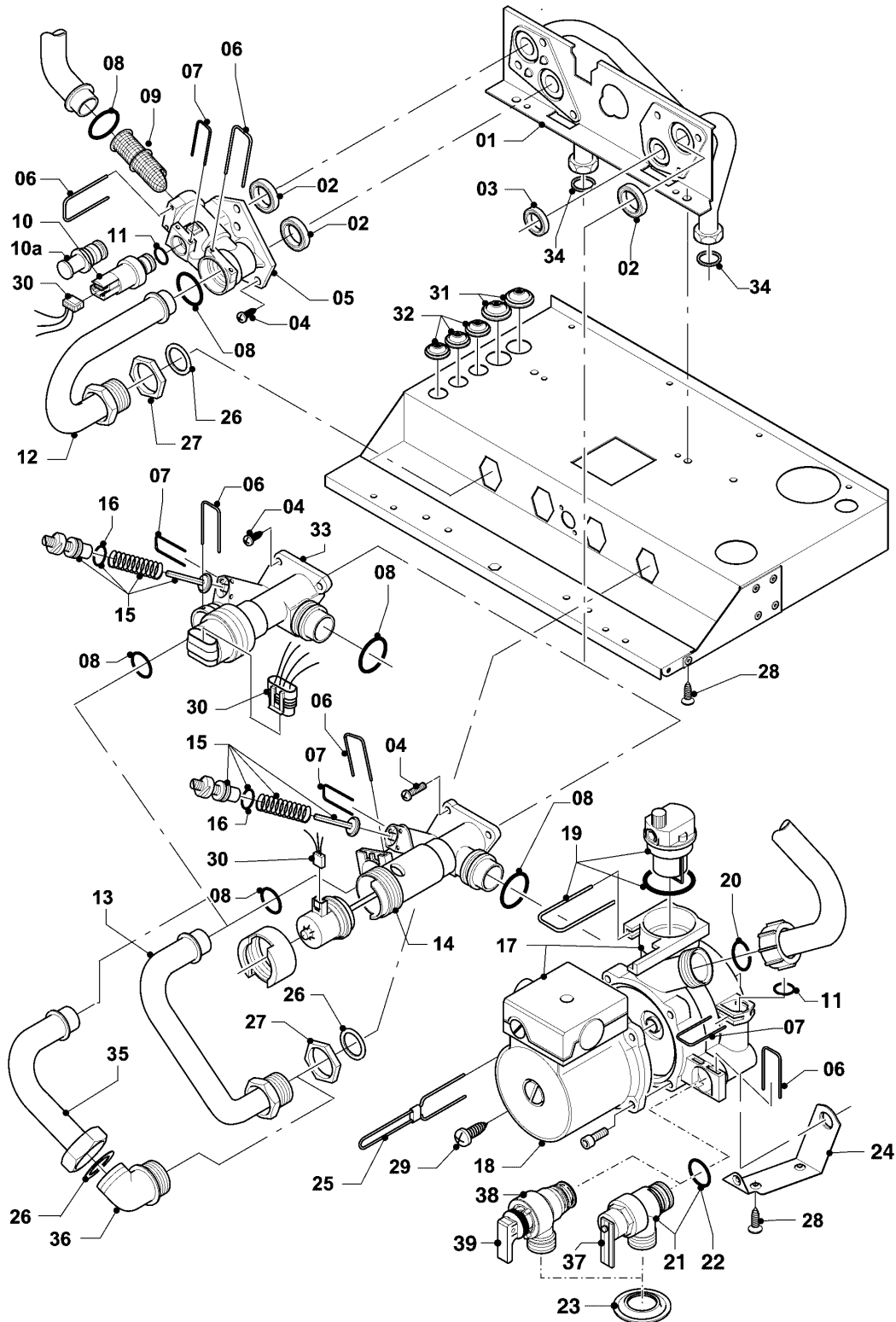
07 - Casing parts

Поз.	Артикульный номер	Описание	Указание, замечание
01	303926	Boiler adapter 80/125 PP	VU OE 376/3-5, accessory, cannot be delivered as spare part, with parts 02, 03, 04
02	147392	Cap, (x5)	
03	981232	Cellular rubber seal	
04	981233	Seal, DN 60 EPDM	
05	180937	Covering	VU OE 376/3-5, with parts 06-11
06	118096	Badge, kit	
07	180940	Cover	with parts 09, 10, 11
08	180944	Hinge	with part 11
09	-	-	180941 no longer available, replacement for pict. no. 10
10	180942	Handle (white)	with part 09
11	193538	Screw, (x10)	
12	180988	Cover	
13	180987	Support	
13	0020130588	Fastening kit (screws + plugs)	not shown
14	105839	Screw, (x10)	
15	500046	Screw	replaced by 0010047528, can be used up Этот артикул более не доступен и заменен на 0010047528
15	0010047528	Screw, (x10)	
16	-	-	not necessary
17	-	-	not necessary

Wall-hung boilers (condensing system) VC, VU

VU OE 376/3-5

08 - Connection parts (Hydroblock)



02-08-127.06

Wall-hung boilers (condensing system) VC, VU

VU OE 376/3-5

08 - Connection parts (Hydroblock)

Поз.	Артикульный номер	Описание	Указание, замечание
00	0010032799	Cap, PWM	VU OE 376/3-5, not shown, included with pump 0010030632
01	0020046782	Plate	with parts 02, 03, 07, 08, 26, 28
02	193535	Gasket, type C, (x10)	
02	178969	Gasket, type C, (x10)	
04	178967	Screw, M5 x 18 mm, (x10)	
05	179031	Connection, brass	with parts 02, 04, 06, 07, 08, 10a, 11
06	178992	Clip, (x10)	
07	0020107694	Clip, (x5)	
08	193537	O-ring, (x10)	
09	179030	Filter	with parts 06, 08
10	0020059717	Sensor (water pressure)	with parts 06, 11
10a	-	-	not available as spare part, see pict. no. 05
11	178993	O-ring, (x10)	
12	179033	Pipe	with parts 08, 26
13	180999	Pipe	with parts 08, 26
14	-	-	not necessary
15	178980	Bypass	with part 07
16	981165	O-ring, (x10)	
17	0020025042	Pump	VU OE 376/3-5, with parts 02, 06, 08, 10, 19, 20, 22, 29 Future phase-out due to EU regulation Этот артикул более не доступен и заменен на 8000011227
17	8000011227	Pump (high-efficiency)	VU OE 376/3-5, with parts 02, 06, 08, 10, 19, 20, 22, 29
17	0020233502	Pump, high-efficiency	VU OE 376/3-5, with parts 02, 06, 08, 10, 19, 20, 22, 29, replaced by 8000011227, can be used up Этот артикул более не доступен и заменен на 8000011227
18	-	-	not available as spare part
19	104521	Automatic de-aerator	replaced by 0010033857, can be used up Этот артикул более не доступен и заменен на 0010033857
19	0010033857	Automatic air vent	

Wall-hung boilers (condensing system) VC, VU

VU OE 376/3-5

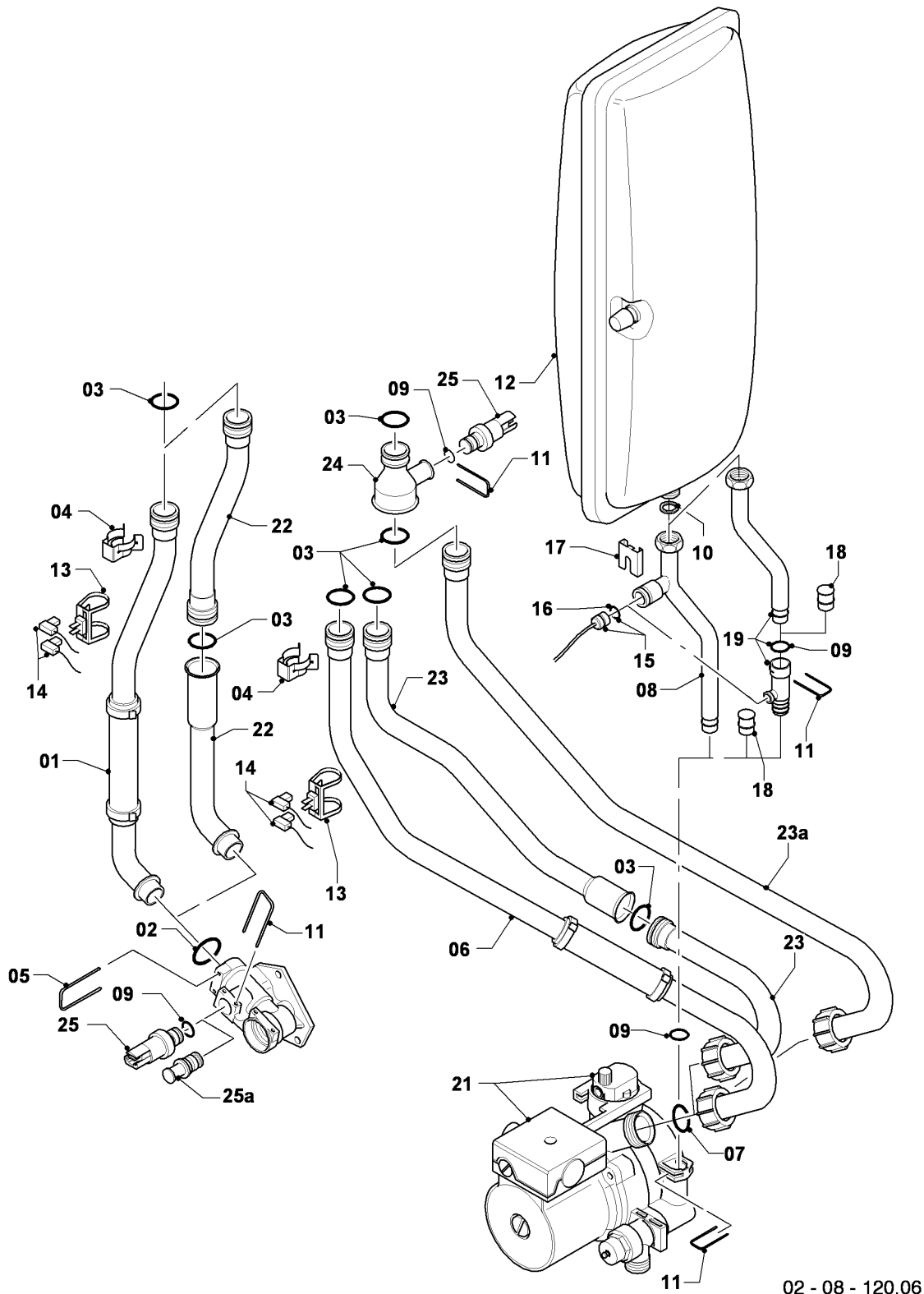
08 - Connection parts (Hydroblock)

Поз.	Артикульный номер	Описание	Указание, замечание
20	193539	O-ring, (x10)	
21	178985	Pressure relief valve, 3 bar	with parts 06, 22, 37 (Brass)
22	178986	O-ring, (x10)	
23	0020085467	Gasket	
24	178984	Support	
25	178981	Clip	
26	981140	Sealing ring, 3/4, (x10)	
27	193598	Nut, (PK4)	
28	0020107695	Screw, (x10)	
29	0020133833	Screw, (x10)	
30	0020128696	Wiring harness	
31	509120	Gasket, (x10)	
32	509121	Gasket, (x10)	
33	0020132682	Diverter valve, brass, with adaptor	VU OE 376/3-5, with parts 02, 03, 04, 06, 07, 08, 15
33	0020270733	Cable, adapter for SAIA 3wv motor	not shown
34	981142	Sealing ring, (x10)	
35	-	-	not necessary
36	-	-	not necessary
37	178974	Lever	
38	0020275015	Pressure relief valve, 3 bar	with parts 06, 22, 39 (Composite)
39	-	-	not available as spare part, see pict. no. 38

Wall-hung boilers (condensing system) VC, VU

VU OE 376/3-5

08a - Connetion parts



02 - 08 - 120.06

Wall-hung boilers (condensing system) VC, VU

VU OE 376/3-5

08a - Connection parts

Поз.	Артикульный номер	Описание	Указание, замечание
00	0010032799	Cap, PWM	VU OE 376/3-5, not shown, included with pump 0010030632
01	-	-	180946 no longer available, see pict. no. 22
02	193537	O-ring, (x10)	
03	103415	O-ring, (x10)	
04	103417	Clip, (x10)	
05	178992	Clip, (x10)	
06	-	-	180948 no longer available, see pict. no. 23a
07	193539	O-ring, (x10)	
08	-	-	not necessary
09	178993	O-ring, (x10)	
10	981149	Sealing ring, (x10)	
11	0020107694	Clip, (x5)	
12	-	-	VU OE 376/3-5, not necessary for this appliance
13	193592	Sensor NTC (CH flow/CH return)	
14	0020025036	Harness	VU OE 376/3-5
15	180982	Pressure gauge	
16	981155	O-ring, (x10)	
17	0020107709	Support	
18	0020020489	Plug	VU OE 376/3-5, with part 09
19	-	-	VU OE 376/3-5, not necessary for this appliance
20	0020023812	Adapter manometer	with parts 09, 11, 16, 17
21	0020025042	Pump	VU OE 376/3-5, Future phase-out due to EU regulation Этот артикул более не доступен и заменен на 8000011227
21	8000011227	Pump (high-efficiency)	VU OE 376/3-5
21	0020233502	Pump, high-efficiency	VU OE 376/3-5, replaced by 8000011227, can be used up Этот артикул более не доступен и заменен на 8000011227
22	0020068957	Connection tube, (kit)	VU OE 376/3-5, with parts 02, 03

Wall-hung boilers (condensing system) VC, VU

VU OE 376/3-5

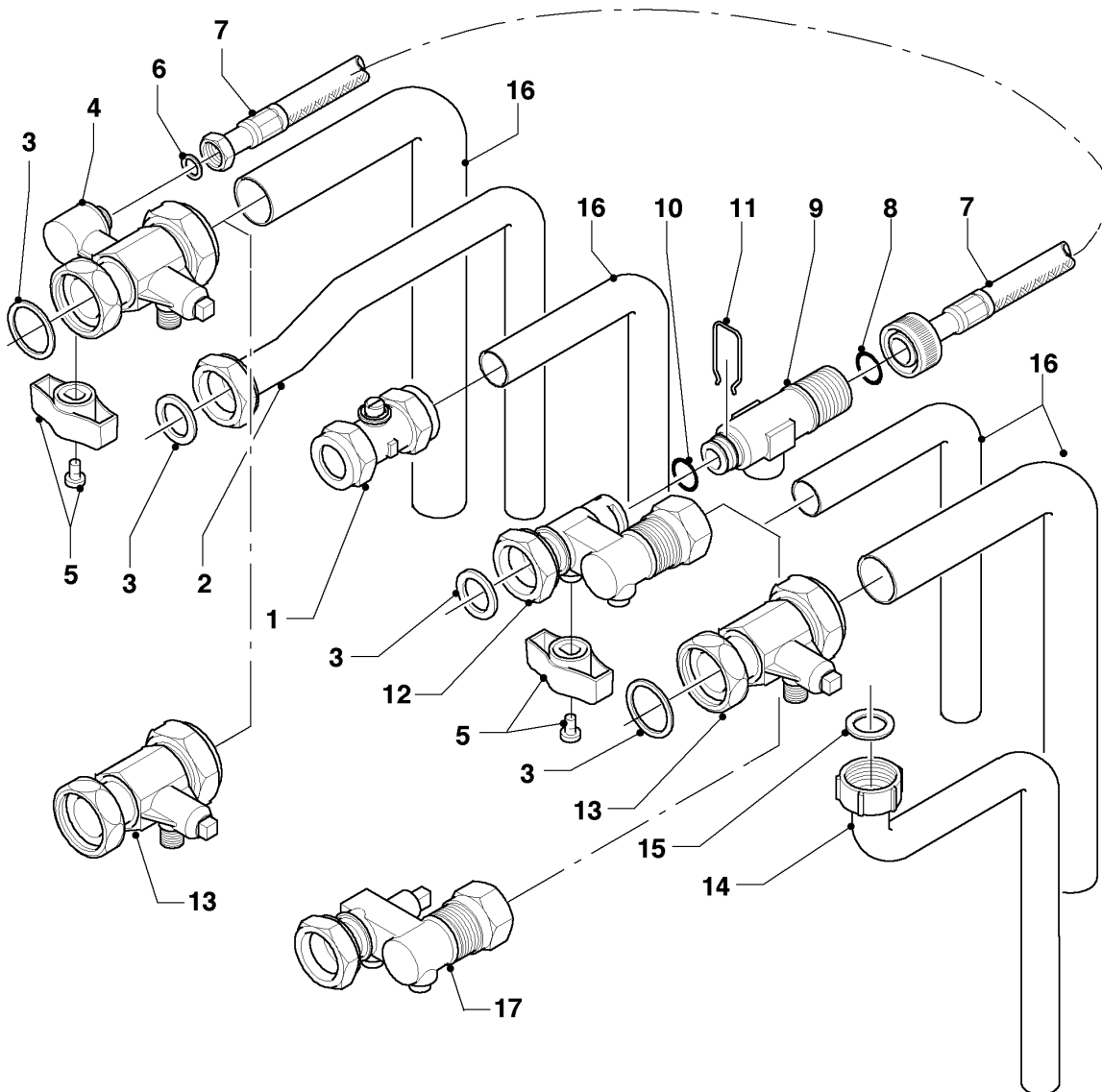
08a - Connetion parts

Поз.	Артикульный номер	Описание	Указание, замечание
23	-	-	no longer available, see pict. no. 23a
23a	0020068958	Connection tube	with parts 03, 04, 07, 09, 11, 24, 25a
24	0020087657	Adapter	with parts 03, 09, 11, 25a
25	0020059717	Sensor (water pressure)	with parts 09, 11
25a	-	-	not available as spare part, see pict. no. 23a, 24

Wall-hung boilers (condensing system) VC, VU

VU OE 376/3-5

08b - Connection parts (Acc.)



02 - 08 - 125.01

Wall-hung boilers (condensing system) VC, VU

VU OE 376/3-5

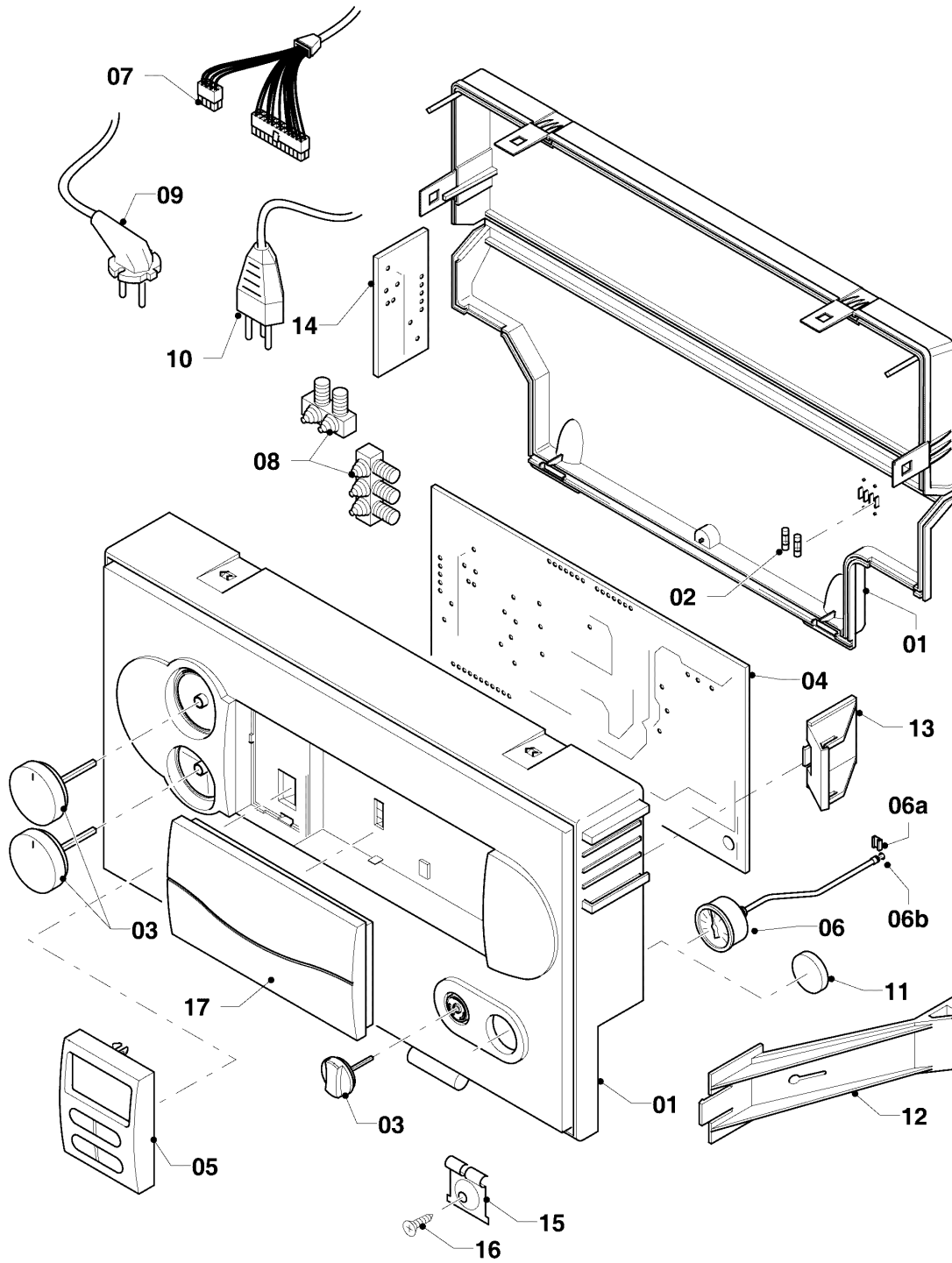
08b - Connection parts (Acc.)

Поз.	Артикульный номер	Описание	Указание, замечание
01	083437	Compression fitting R3/4 x 15	for gas connection
02	-	-	not necessary
03	981140	Sealing ring, 3/4, (x10)	
04	-	-	not necessary, see pos. 13
05	-	-	not necessary
06	-	-	not necessary
07	-	-	not necessary
08	-	-	not necessary
09	-	-	not necessary
10	-	-	not necessary
11	-	-	not necessary
12	-	-	not necessary
13	0020017772	Service cock left + right	with part 03
13	022751	Connection tube, G3/4 x 22, (x2)	not shown, for service cock
14	0020010297	Tube, pressure relief valve (copper)	with part 15
15	0020010298	Sealing ring, (x10)	
16	-	-	not available as spare part
17	-	-	not necessary

Wall-hung boilers (condensing system) VC, VU

VU OE 376/3-5

12 - Control panel



02-12-048.04

Wall-hung boilers (condensing system) VC, VU

VU OE 376/3-5

12 - Control panel

Поз.	Артикульный номер	Описание	Указание, замечание
01	0020041164	Casing (Performance, grey)	with parts 02, 03
02	0020067507	Fuse, 2,0 A T2H, (x10)	2.0 AT
03	0020048969	Buttons grey, kit of 3	
04	0020132764	Printed circuit board	with part 02
05	0020056561	Display, grey	
06	180982	Pressure gauge	
06a	0020107709	Support	
06b	981155	O-ring, (x10)	
07	0020025036	Harness	VU OE 376/3-5, appliance
07	0020128696	Wiring harness	hydraulik
08	078533	Cable fixation	
09	-	-	not necessary for these appliances
10	-	-	not necessary for these appliances
11	-	-	not necessary for these appliances
12	193585	Spacer, (x2)	VU OE 376/3-5
13	-	-	VU OE 376/3-5, not necessary for these appliances
14	-	-	not necessary for these appliances
15	0020020025	Bracket, (x2)	with part 16
16	0020107695	Screw, (x10)	
17	0020130489	Cover control slot, grey	